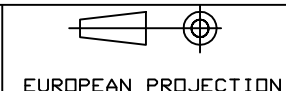


DO NOT SCALE
DIMENSIONS IN mm

METRIC



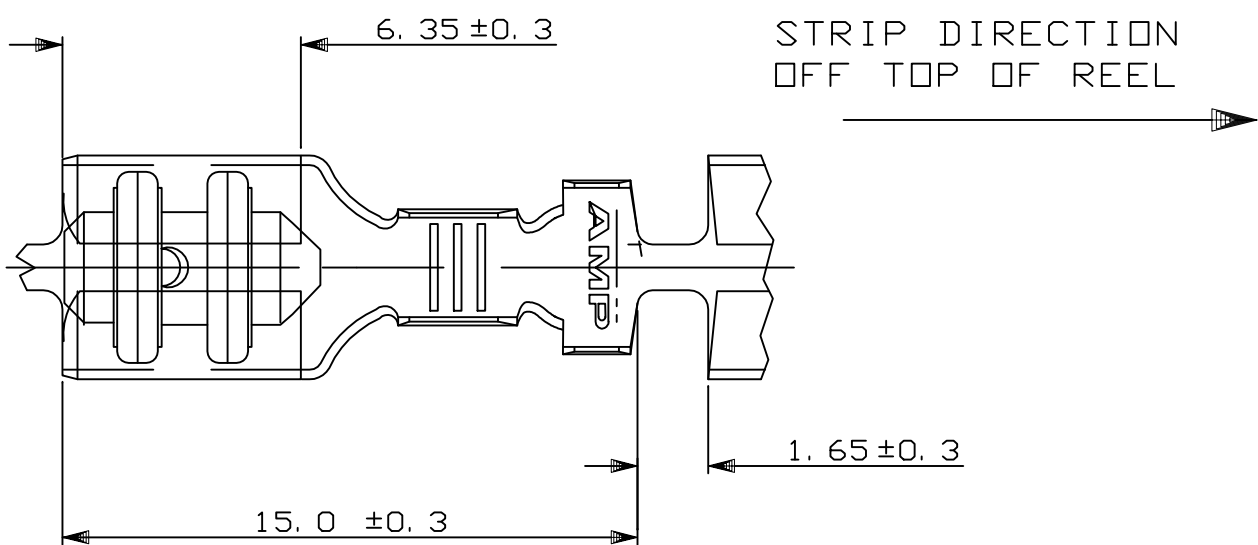
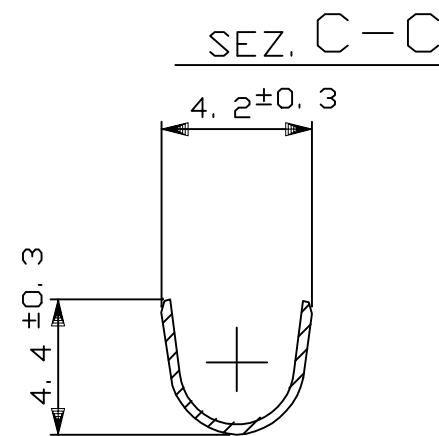
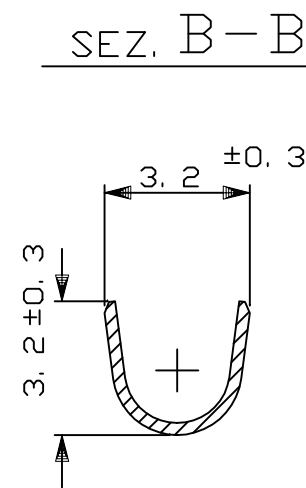
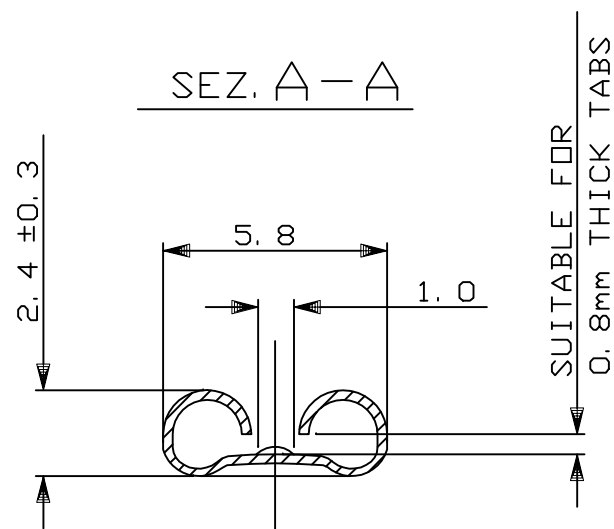
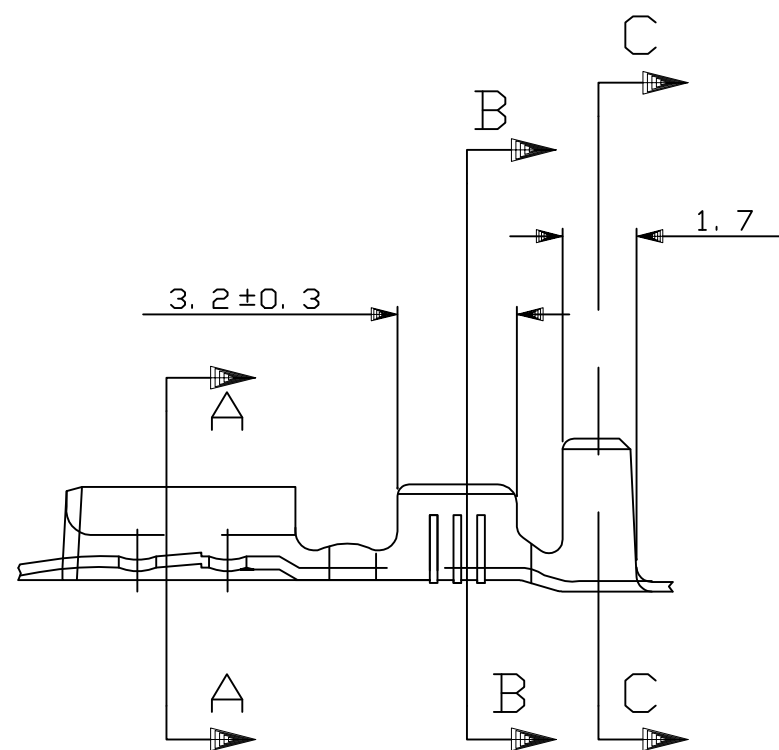
A

B

C

D

E



- 1 APPLICATION SPEC. 114-20081
- 2 SPLICES PRESENT ON REEL

TINNED	BRASS	281369-2	F
FINISH / COLOUR	MATERIAL	PART NUMBER	REV
CUSTOMER DWG. FOR REFERENCE ONLY			
THIS DRAWING IS UNPUBLISHED -RELEASE FOR PUBLICATION 19			
© COPYRIGHT 2014 BY TE CONNECTIVITY, HARRISBURG, PA. ALL INTERNATIONAL RIGHTS RESERVED. AMP PRODUCTS MAY BE COVERED BY U.S. AND FOREIGN PATENT AND/OR PATENT PENDING			
TOLERANCES UNLESS OTHERWISE SPECIFIED:	DIAM. ISOLANTE (INS. DIA. RANGE)	RANGO FILE (WIRE RANGE)	SCALA (SCALE)
± 0.3	2.3-3.3 DIA	0.5-1.5 mm ²	5:1
ANGLES: ± 2°	TE Connectivity		
DIS. (DR.) 23 JUN 2014 D. CHIARELLI	DESCRIZIONE (DESCRIPTION) FASTON Connector, 197" sr. REC. CONTACT		
COND. (CHK) 23 JUN 2014 D. CHIARELLI	LDC.	SIZE	NUMERO (DWG NO)
REV. (REV. LTR.) F	ECR-14-009406	D. C.	23 JUN 2014
REVISIONI (REVISION RECORD)	DIS. DATA (DR.)	APP. (APP.)	T. DING
I	A3	C-281369	F
REV. (REV. LTR.)	DI (DI)	FOGLIO (SHEET)	1 OF 1

DISTRIBUZIONE (PRINT DIST.)

单击下面可查看定价，库存，交付和生命周期等信息

[>>TE Connectivity\(泰科\)](#)