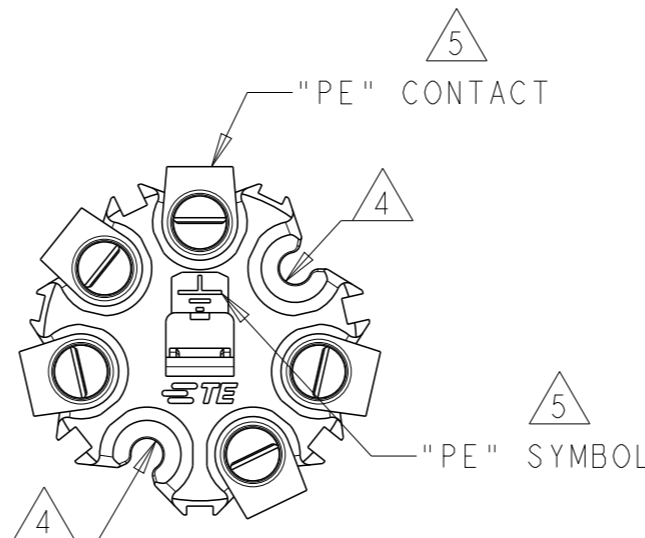
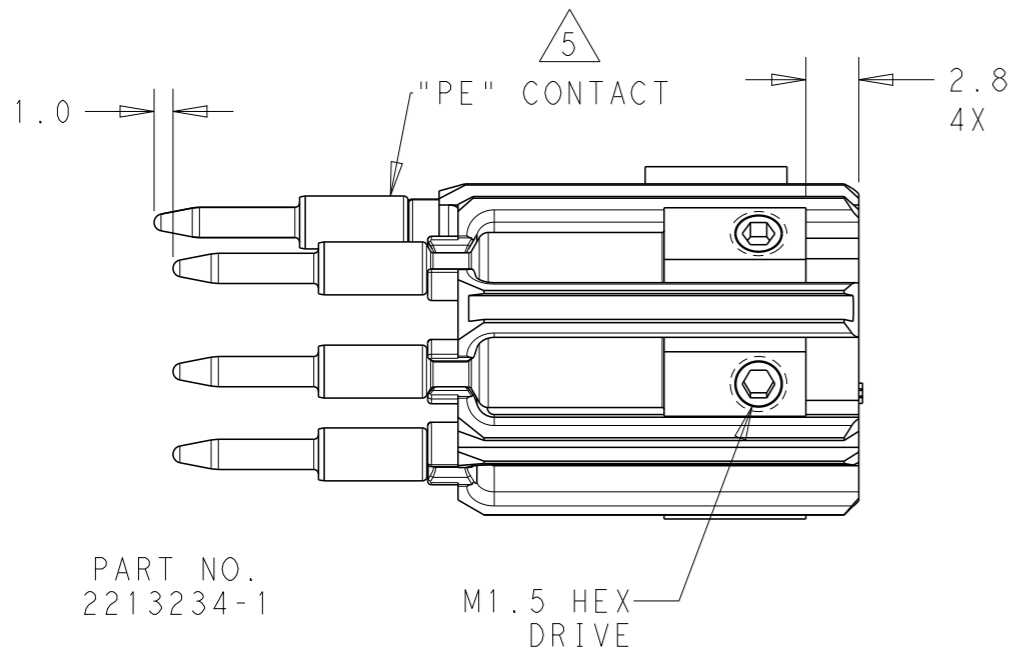


THIS DRAWING IS UNPUBLISHED. RELEASED FOR PUBLICATION 20  
 © COPYRIGHT 20 BY - ALL RIGHTS RESERVED.

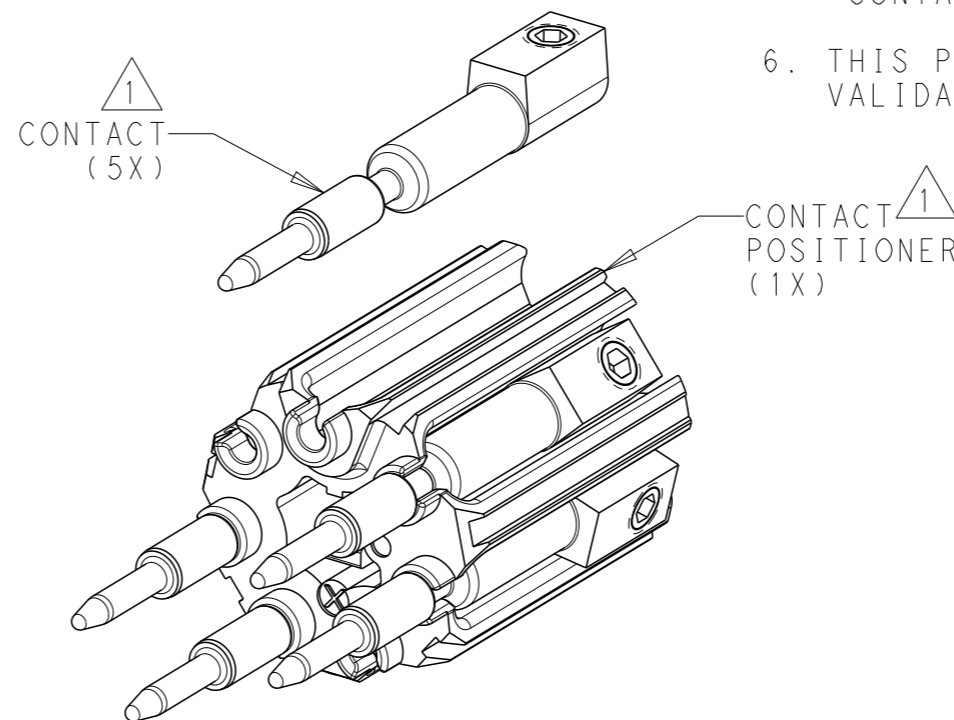
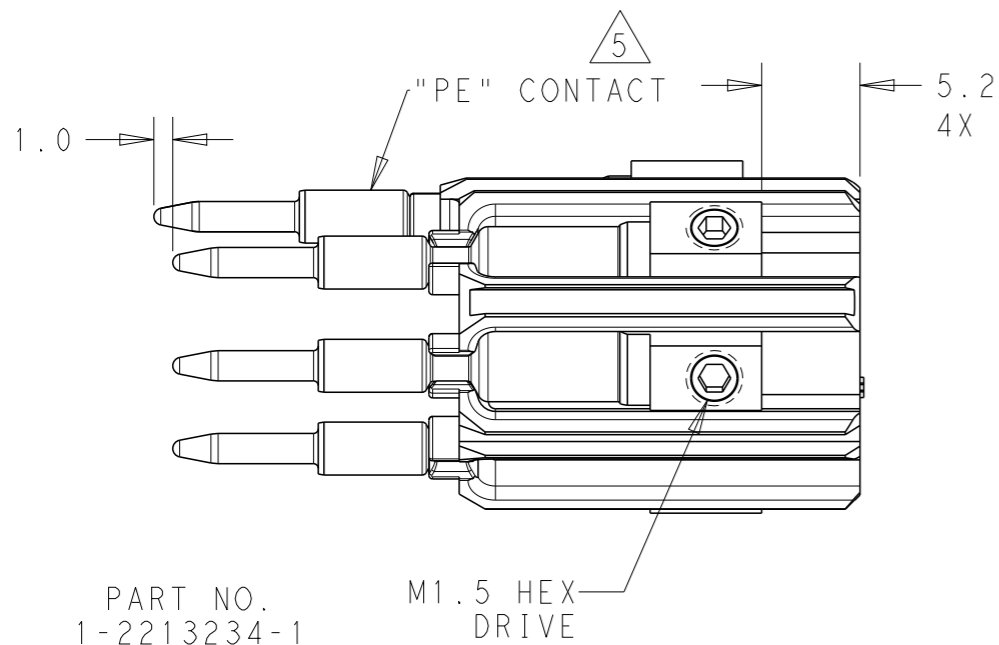
REVISIONS

P	LTR	DESCRIPTION	DATE	DWN	APVD
A		REVISED AS PER ECR-15-005925	21APR2015	RS	JL
A1		REVISED AS PER ECR-15-011749	10AUG2015	RS	JL




NOTES:

- 1 MATERIALS:  
CONTACTS: COPPER ALLOY, TIN PLATE  
CONTACT POSITIONER: GLASS FILLED PBT,  
COLOR BLACK
- 2. MUST COMPLY WITH DIRECTIVE 2002/95/EC (ROHS)
- 3. CONTACTS (5X) ARE PRE-ASSEMBLED INTO CONTACT POSITIONER AS SHOWN.
- 4 CONTACTS ARE NOT INSTALLED INTO THE INDICATED CONTACT SLOTS
- 5 "PE" SYMBOL ALIGNS WITH "PE" CONTACT AS SHOWN
- 6. THIS PRODUCT HAS NOT COMPLETED VALIDATION TESTING



IEC (DEKRA)	1-2213234-1
UL	2213234-1
AGENCY APPROVALS	PART NO.

THIS DRAWING IS A CONTROLLED DOCUMENT.		DWN J. SHAFFER 15JAN2014	 TE Connectivity		
DIMENSIONS: mm		CHK M. LUKSIC 15JAN2014			
TOLERANCES UNLESS OTHERWISE SPECIFIED:		APVD M. LUKSIC 15JAN2014			
0 PLC ±- 1 PLC ±0.2 2 PLC ±0.13 3 PLC ±- 4 PLC ±- ANGLES ±- MATERIAL NOTE 1 FINISH -		PRODUCT SPEC 108-133014	NAME SCREW TERMINAL PIN CONTACTS ASSY, 5POSN, NECTOR M-LINE SEALED		
		APPLICATION SPEC 114-32111	SIZE A3	CAGE CODE -	DRAWING NO C-2213234
		WEIGHT -	RESTRICTED TO -		
		Customer Drawing	SCALE 1:1	SHEET 1 OF 1	REV A1

单击下面可查看定价，库存，交付和生命周期等信息

[>>TE Connectivity\(泰科\)](#)