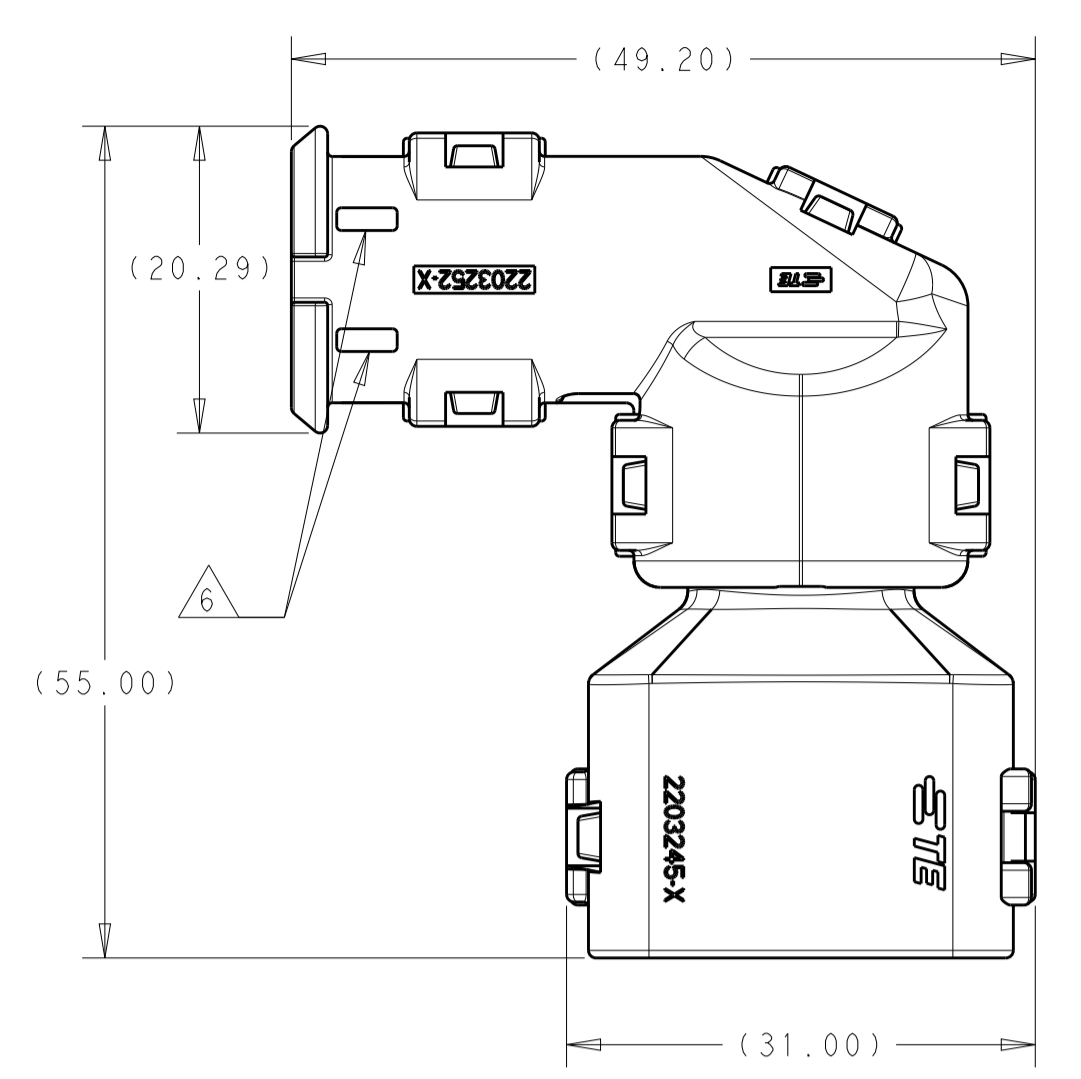
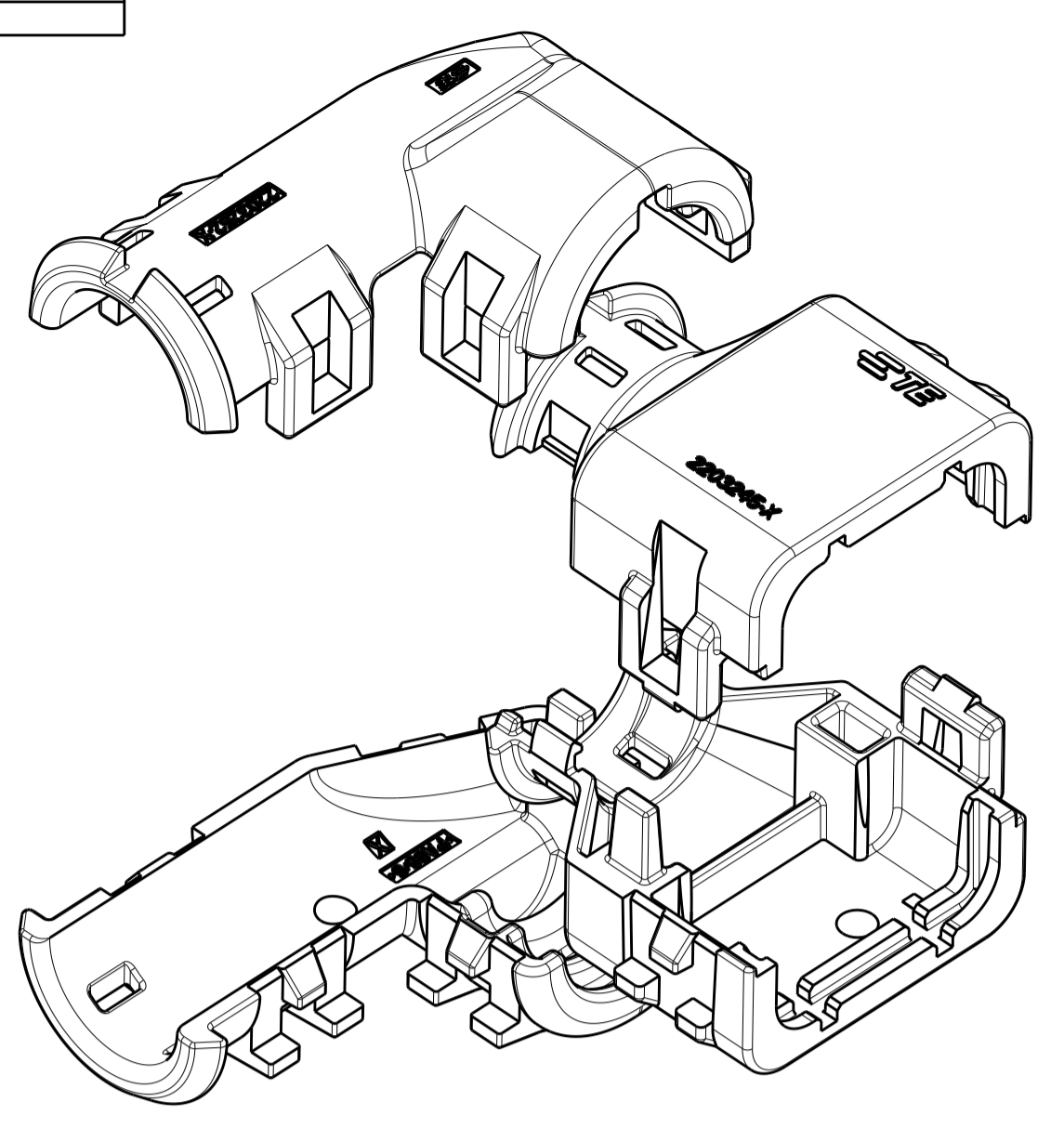
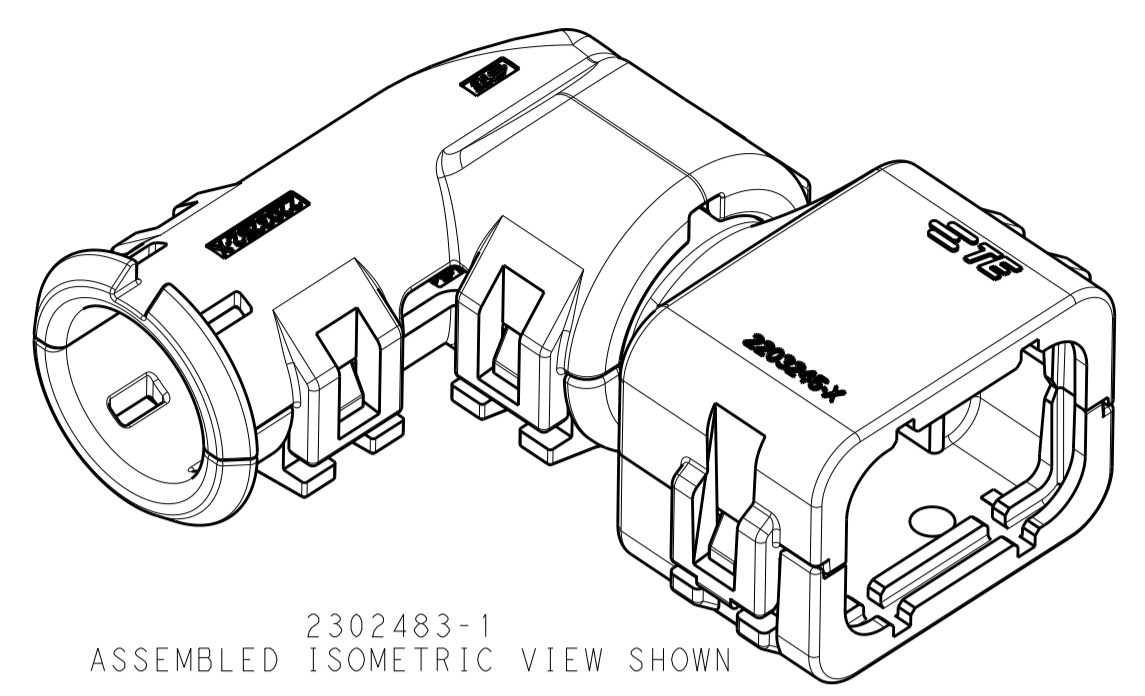
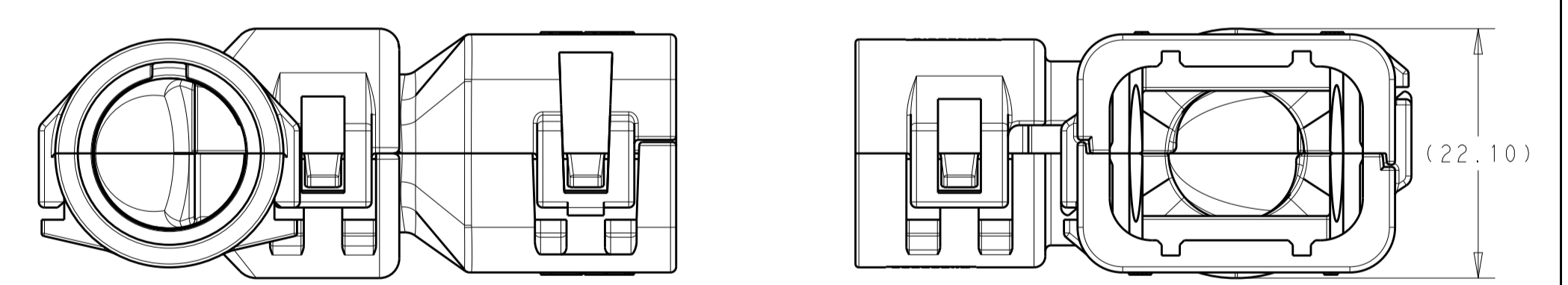
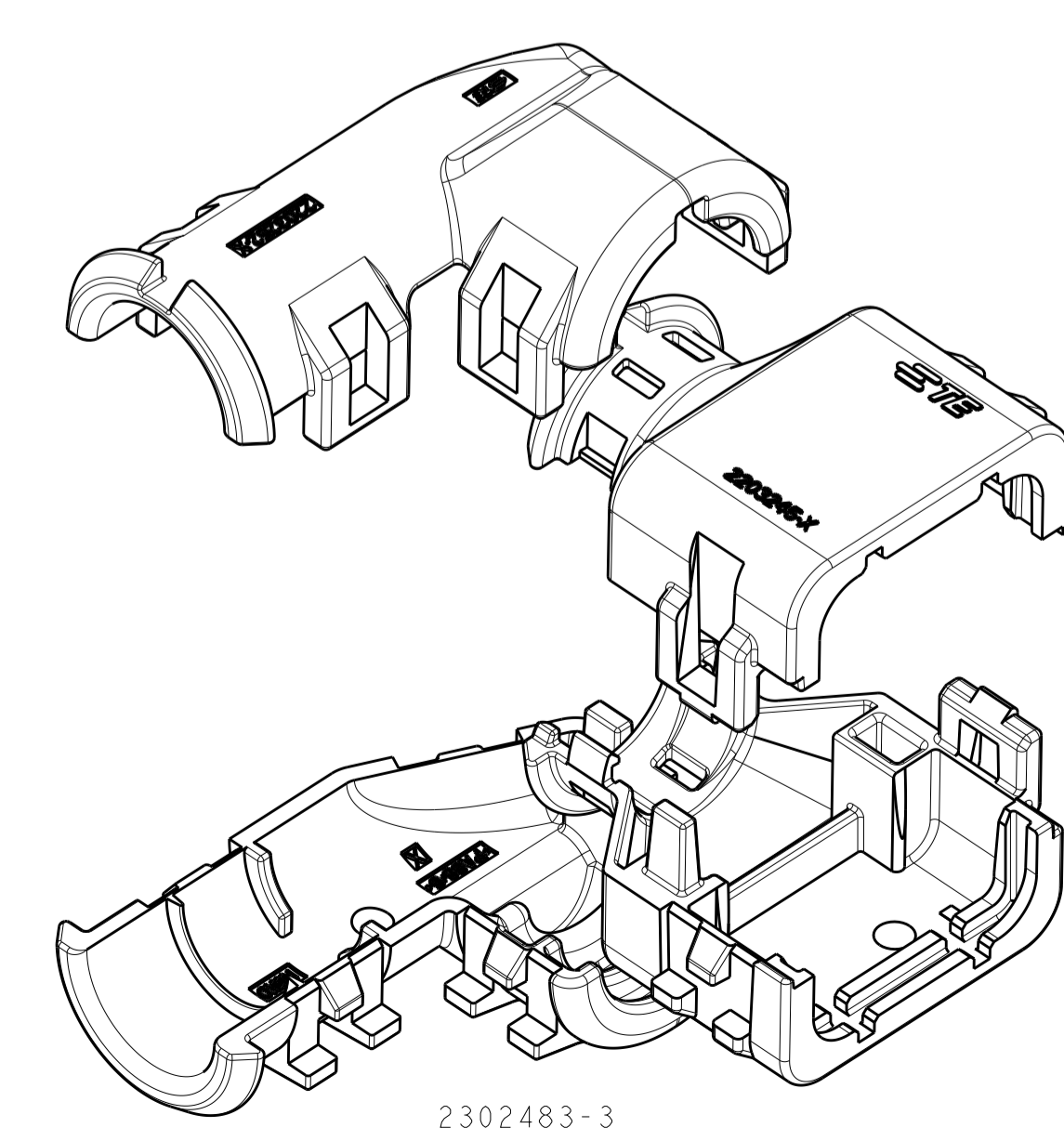
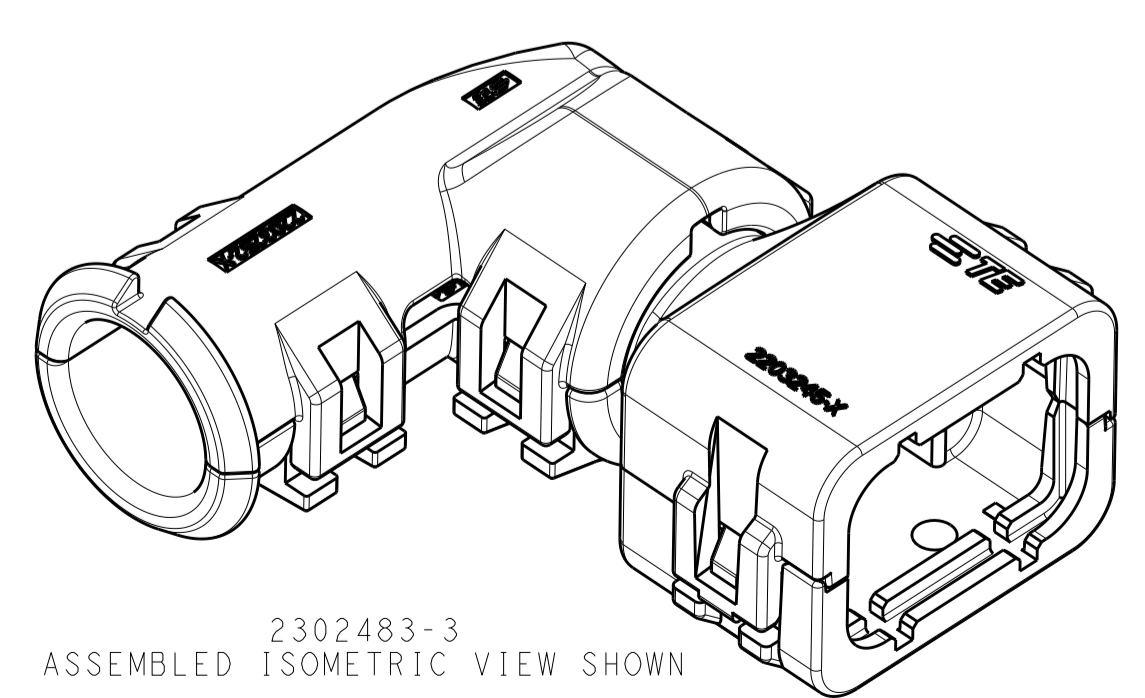
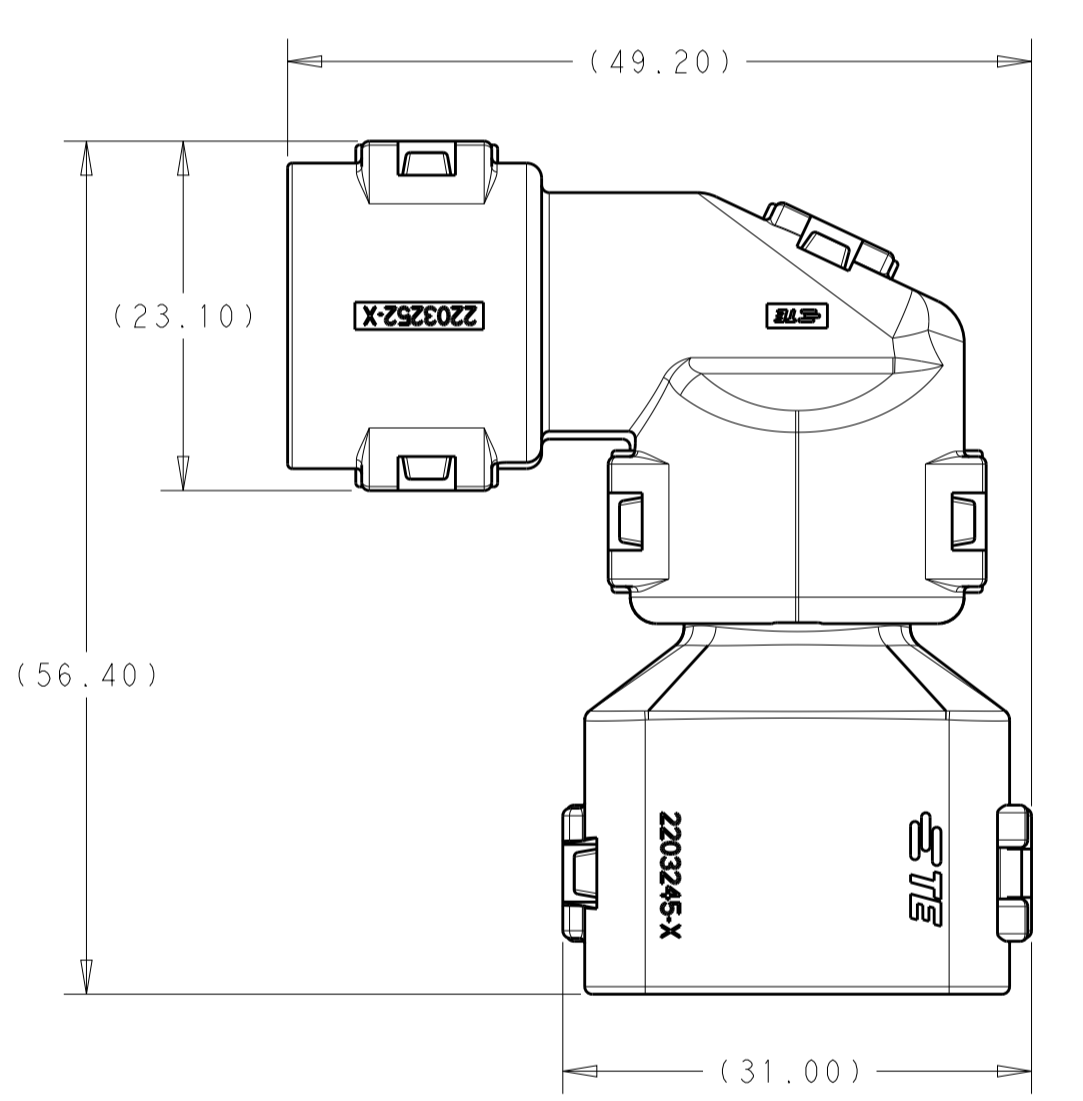
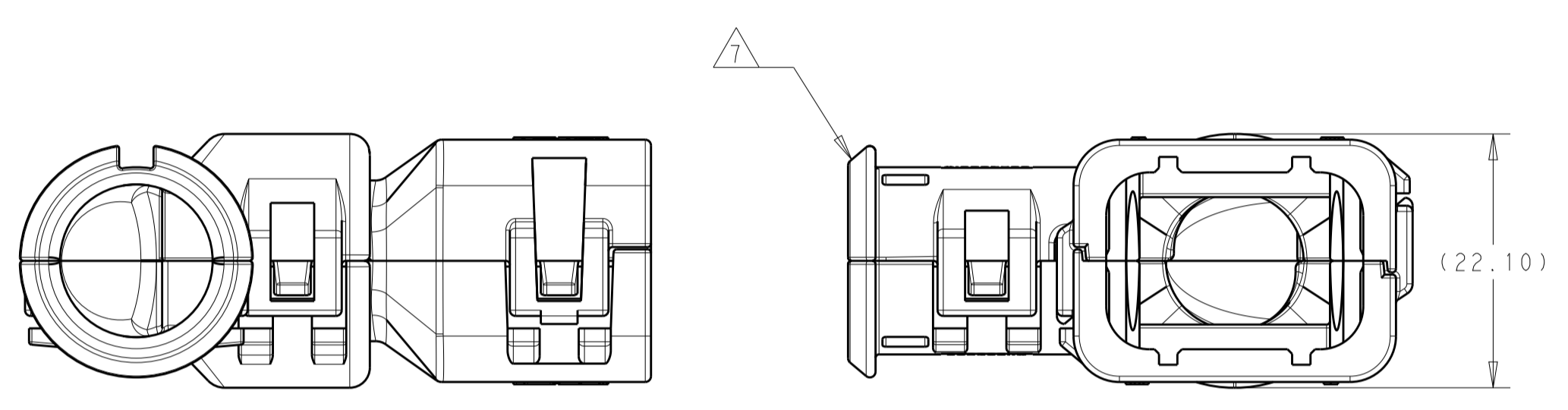
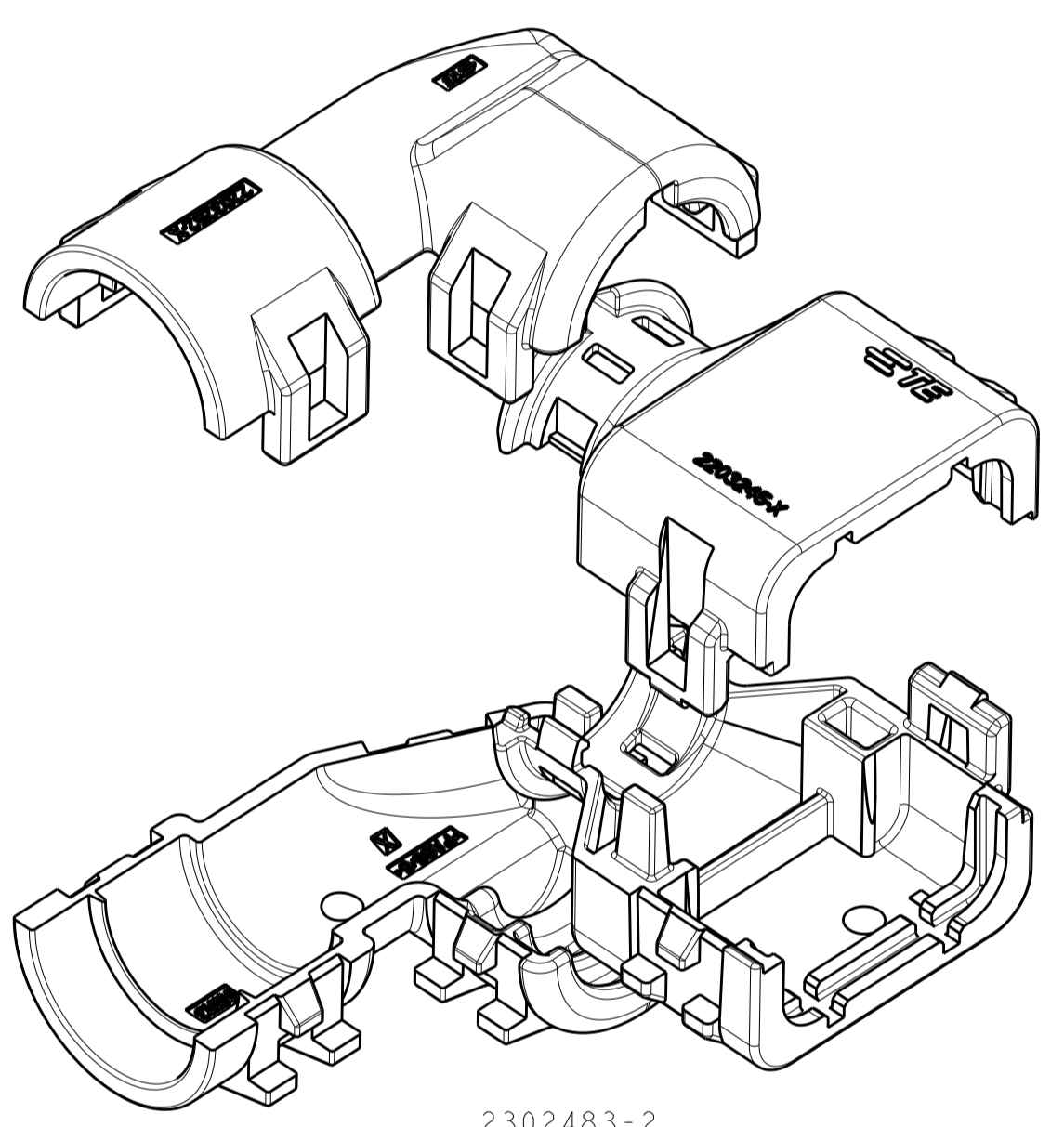
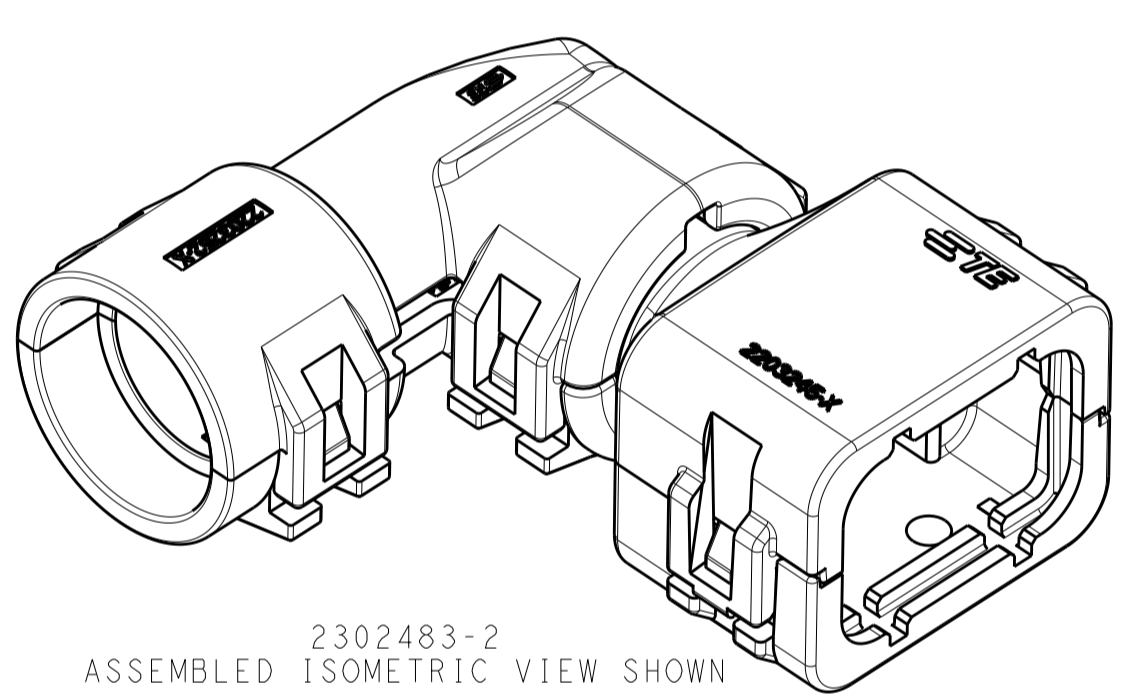


REVISIONS				
P.	LTN	DESCRIPTION	DATE	APVD
A		RELEASED PER ECO-16-008203	01JUN2016	JM RB
A2		REV PER ECO-16-013256	08SEP2016	JM RB



- 1 MATERIAL: NYLON MOLDING COMPOUND, BLACK, PA66/6.
- 2 BACKSHELL DESIGNED SUCH THAT TWO HALVES ATTACH TO ONE ANOTHER AND CLAMP AROUND THE CONNECTOR COVER.
- 3 ELBOW DESIGNED SUCH THAT TWO HALVES ATTACH TO ONE ANOTHER AND CLAMP AROUND THE BACKSHELL COLLAR.
- 4 DIMENSIONS TO BE MEASURED WHEN ELBOWS AND BACKSHELLS ASSEMBLED.
- 5 PRODUCT WEIGHTS:  
2302483-1: 11.50g ASSEMBLED  
2302483-2: 12.30g ASSEMBLED  
2302483-3: 11.65g ASSEMBLED
- 6 4MM WIDE SLOTS FOR TIE WRAP TO SECURE HARNESS WIRES (-1 ONLY).
- 7 HEAT SHRINK TUBING FEATURE (-1 AND -3 ONLY).
- 8. INSTRUCTION SHEET: 408-151043.
- 9. CONDUIT PROFILE: NORMAL ONLY.



776488-X	NC12	NW10	2302483-3
776536-X	NC16	NW13	2302483-2
	SMOOTH	SMOOTH	2302483-1
FITS ON CAP ASSY	CORREGATE NC	CORREGATE NW	PART NUMBER
	CONDUIT SIZE		

THIS DRAWING IS A CONTROLLED DOCUMENT.

DIMENSIONS:	TOLERANCES UNLESS OTHERWISE SPECIFIED:	APVD	NAME
mm	0 PLC ±	R. BALTER	BACKSHELL AND ELBOW KIT, 4 POSN CAP ASSY, AMPSEAL 16
	1 PLC ±	R. BALTER	
	2 PLC ±	R. BALTER	
	3 PLC ±		
	4 PLC ±		
	ANGLES ±		
MATERIAL	FINISH	WTG	SIZE CAGE CODE DRAWING NO
			A100779C=2302483
		CUSTOMER DRAWING	RESTRICTED TO
			SCALE 2:1 SHEET 1 OF 1 REV A2

单击下面可查看定价，库存，交付和生命周期等信息

[>>TE Connectivity\(泰科\)](#)