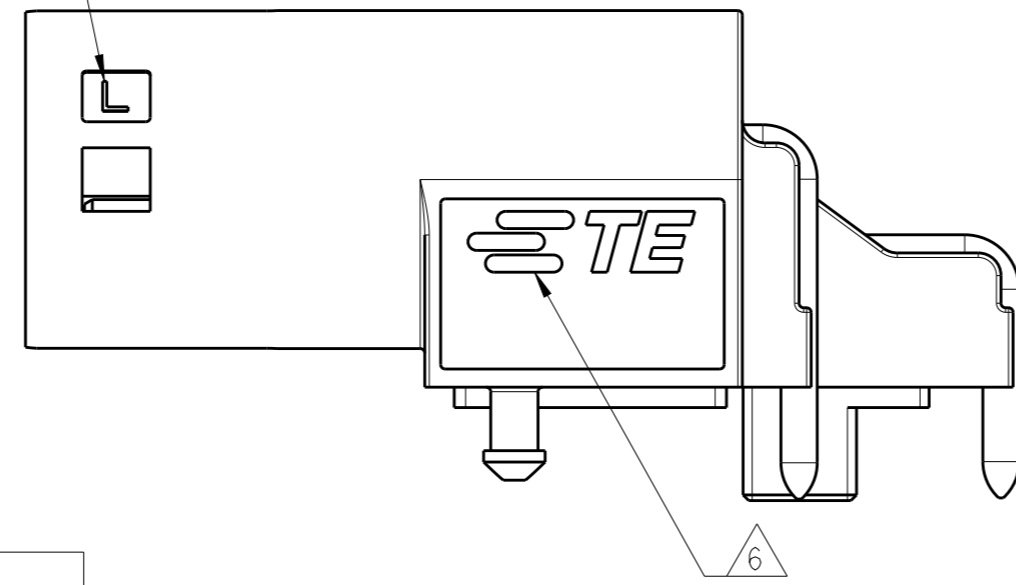
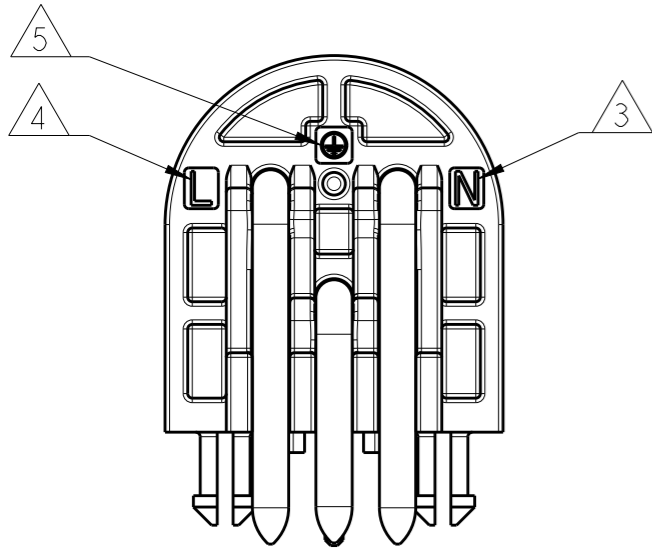
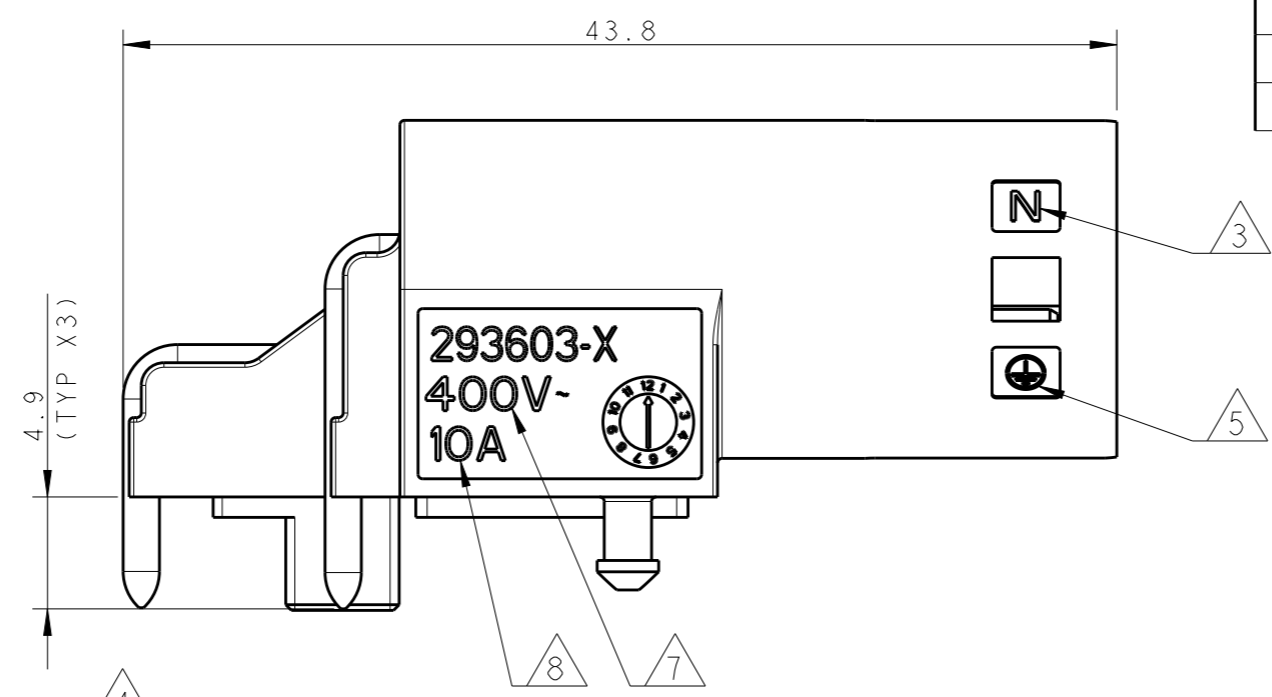
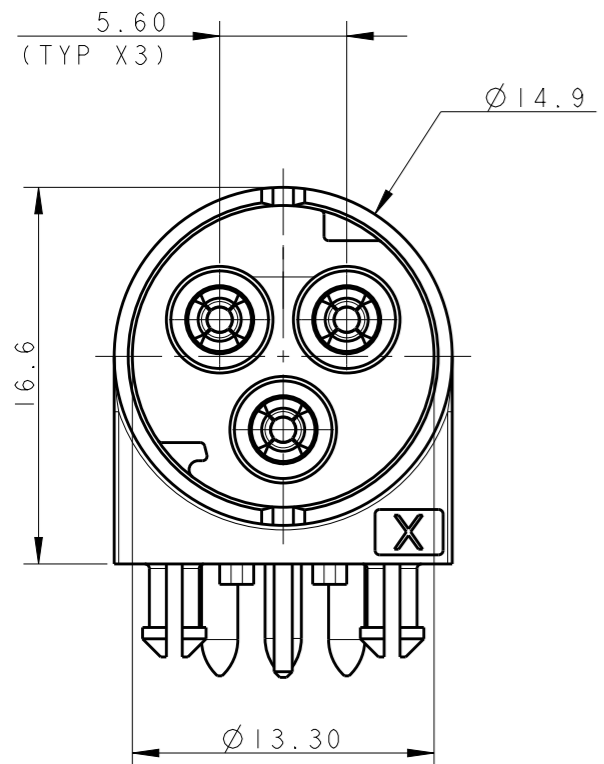


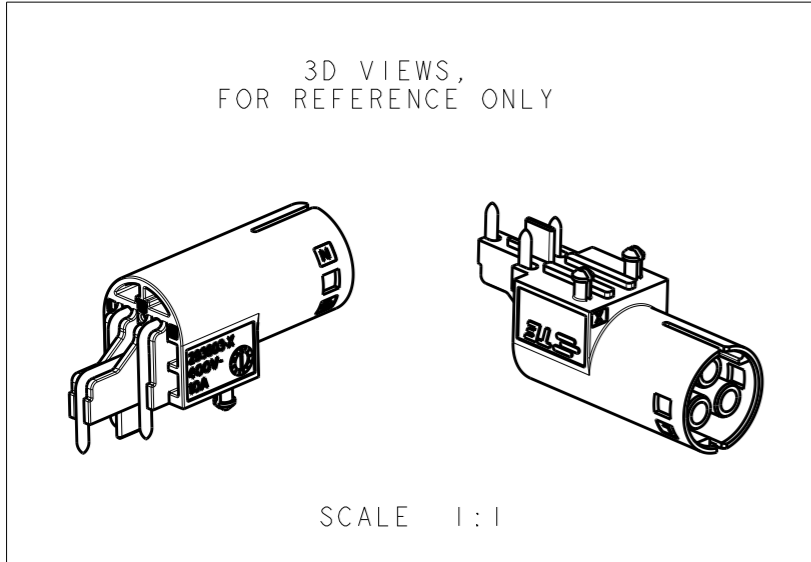
THIS DRAWING IS UNPUBLISHED. RELEASED FOR PUBLICATION 2011
 © COPYRIGHT 2011 BY - ALL RIGHTS RESERVED.

LOC	DIST	REVISIONS			
P	LTR	DESCRIPTION	DATE	DWN	APVD
	E	UPDATED	04FEB2010	MZ	GT
	F	PARTS -1, -2, -3 RELEASED FOR PRODUCTION	27JUN2013	KR	JC
	F1	REVISED PART NUMBERS	17JUL2017	SK	MZ
	F2	REVISED PER ECR-18-006945	20SEP2018	SR	MZ



- NOTES:
- 1) MATERIAL: POLYAMIDE GLASS FILLED COLOUR NATURAL
 - 2) PACKAGING: SEE TE PACKAGING SPECIFICATION 107-20294
 - △3 N CODE
 - △4 L CODE
 - △5 PE CODE
 - △6 TE LOGO
 - △7 RATED VOLTAGE
 - △8 RATED CURRENT

OBSOLETE	NATURAL	D	PIN CONNECTOR PCB STRAIGHT NECTOR* M-LINE	I	293605-4
	NATURAL	C	PIN CONNECTOR PCB STRAIGHT NECTOR* M-LINE	F	293605-3
	NATURAL	B	PIN CONNECTOR PCB STRAIGHT NECTOR* M-LINE	F	293605-2
	NATURAL	A	PIN CONNECTOR PCB STRAIGHT NECTOR* M-LINE	F	293605-1
COLOUR	POL. KEYING		DESCRIPTION	REV.	PART NUMBER



THIS DRAWING IS A CONTROLLED DOCUMENT.		DWN M. ZUCCA 30OCT2009	TE Connectivity		
DIMENSIONS: mm		CHK M. ZUCCA 30OCT2009			
TOLERANCES UNLESS OTHERWISE SPECIFIED:		APVD G. TURCO 30OCT2009	NAME		
0 PLC ±0.3		PRODUCT SPEC 108-20304	SOCKET CONNECTOR PCB STRAIGHT VERSION NECTOR* M-LINE		
1 PLC ±0.20		APPLICATION SPEC 114-20152	SIZE	CAGE CODE	DRAWING NO
2 PLC ±		WEIGHT -	A300779	C=293605	RESTRICTED TO
3 PLC ±					
4 PLC ±					
ANGLES ±3°					
MATERIAL -			SCALE 3:1 SHEET 1 OF 3 REV F2		
FINISH -			Customer Drawing		

THIS DRAWING IS UNPUBLISHED.

RELEASED FOR PUBLICATION

2011

© COPYRIGHT 2011 BY -

ALL RIGHTS RESERVED.

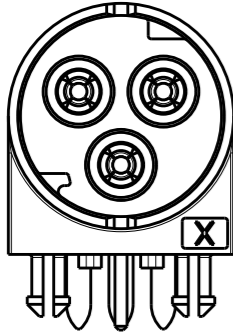
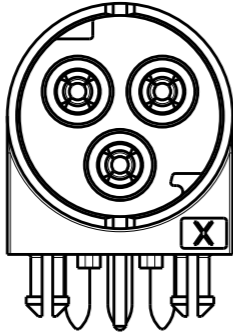
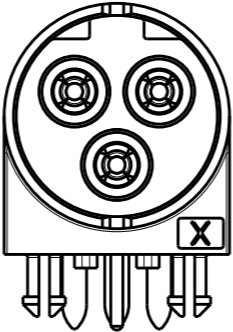
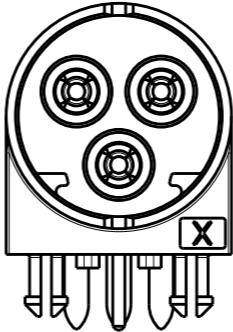
LOC

DIST

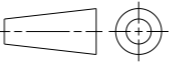
REVISIONS

P	LTR	DESCRIPTION	DATE	DWN	APVD
-		SEE SHEET 1	-	-	-

POLARIZATION KEYS

TYPE "A"	TYPE "B"	TYPE "C"	TYPE "D"
P/N 293605-1 AS SHOWN	P/N 293605-2 AS SHOWN	P/N 293605-3 AS SHOWN	P/N 293605-4 AS SHOWN
			

THIS DRAWING IS A CONTROLLED DOCUMENT.

DIMENSIONS: mm	
	
MATERIAL	-

TOLERANCES UNLESS OTHERWISE SPECIFIED:	
0 PLC	±-
1 PLC	±0.3
2 PLC	±0.20
3 PLC	±-
4 PLC	±-
ANGLES	±3°
FINISH	-

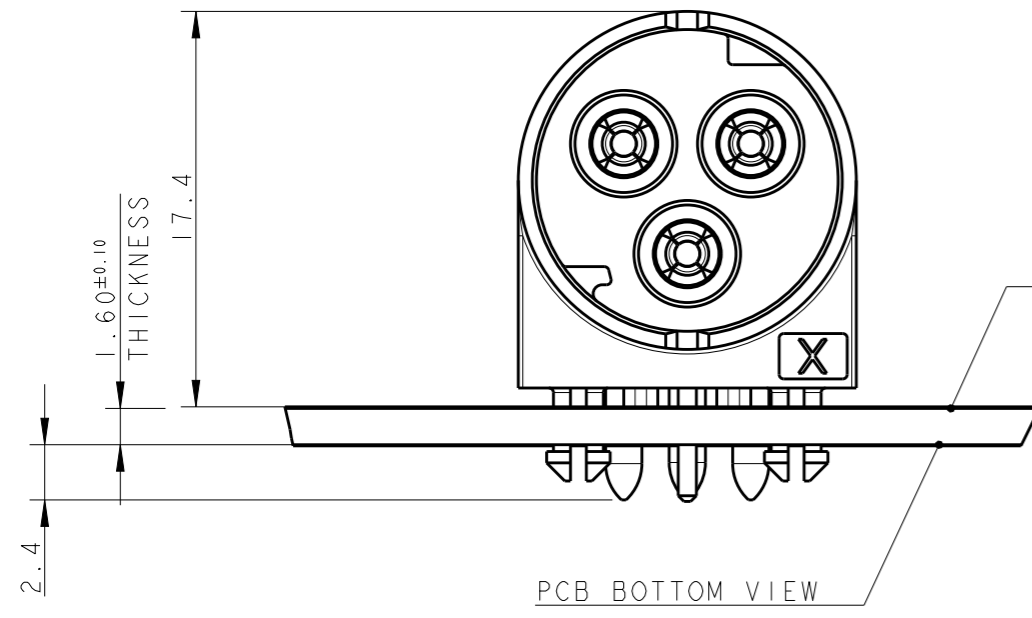
DWN	M. ZUCCA	30OCT2009
CHK	M. ZUCCA	30OCT2009
APVD	G. TURCO	30OCT2009
PRODUCT SPEC	108-20304	
APPLICATION SPEC	114-20152	
WEIGHT	-	

 TE Connectivity			
NAME SOCKET CONNECTOR PCB STRAIGHT VERSION NECTOR* M-LINE			
SIZE	CAGE CODE	DRAWING NO	RESTRICTED TO
A3	00779	C-293605	-

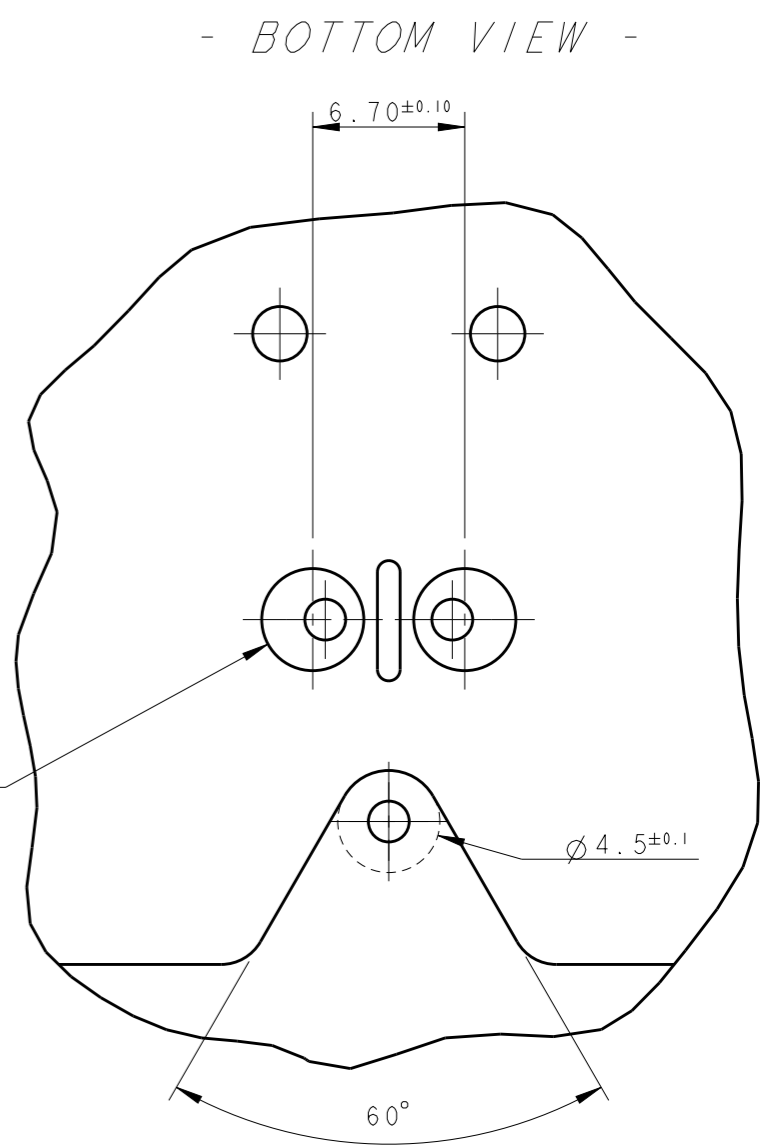
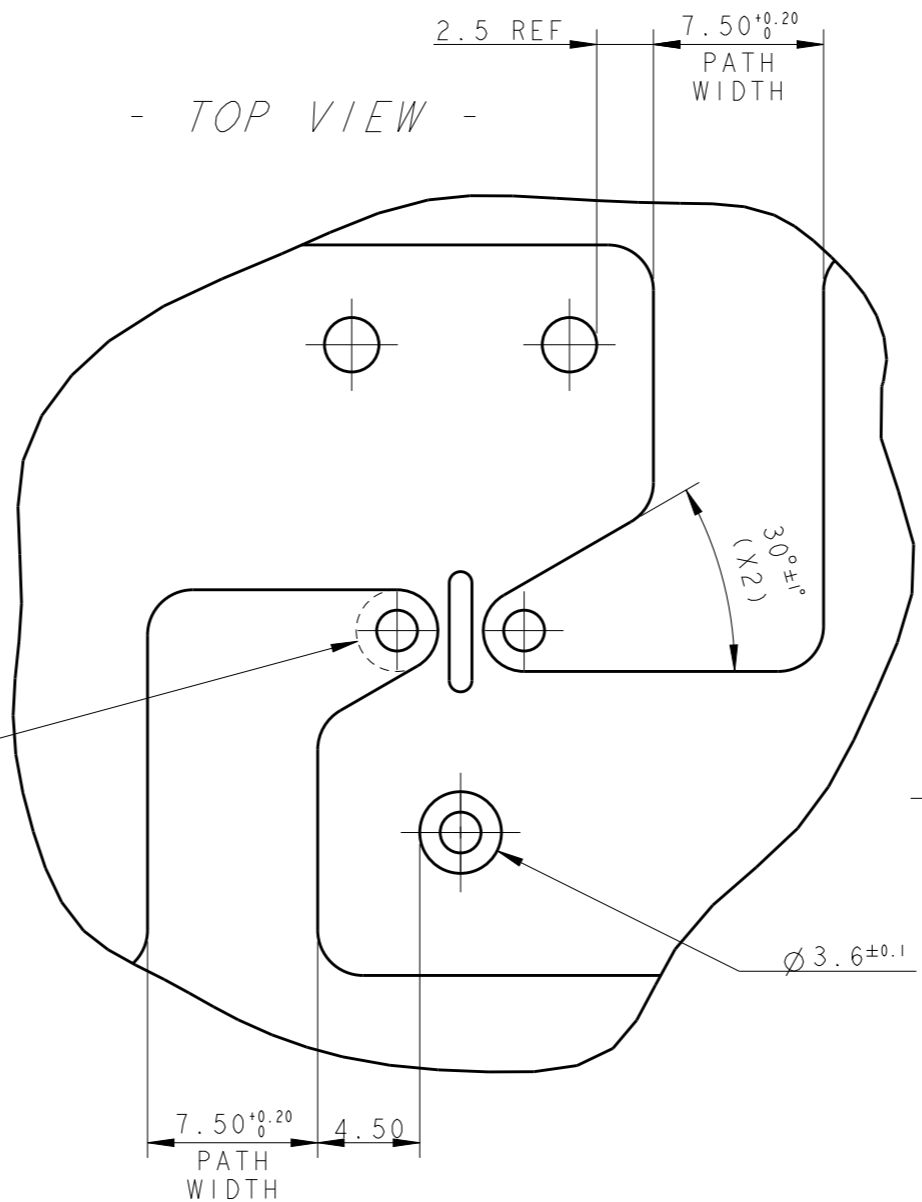
Customer Drawing SCALE 2:1 SHEET 2 OF 3 REV F2

THIS DRAWING IS UNPUBLISHED. RELEASED FOR PUBLICATION 2011
 © COPYRIGHT 2011 BY - ALL RIGHTS RESERVED.

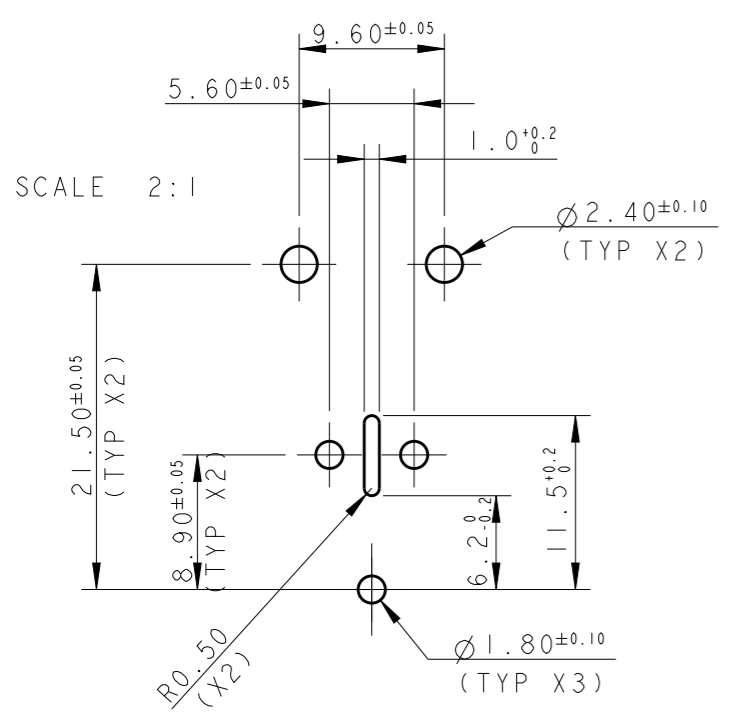
LOC	DIST	REVISIONS			
P	LTR	DESCRIPTION	DATE	DWN	APVD
		SEE SHEET 1			




SUGGESTED L, N AND PE TRACKS LAYOUT ON PCB



SUGGESTED PCB LAYOUT CUT-OUT



THIS DRAWING IS A CONTROLLED DOCUMENT.		DWN M. ZUCCA 30OCT2009	 TE Connectivity	
DIMENSIONS: mm		CHK M. ZUCCA 30OCT2009		
TOLERANCES UNLESS OTHERWISE SPECIFIED:		APVD G. TURCO 30OCT2009	NAME	
0 PLC ±-		PRODUCT SPEC 108-20304	SOCKET CONNECTOR PCB STRAIGHT VERSION NECTOR* M-LINE	
1 PLC ±0.3		APPLICATION SPEC 114-20152	SIZE	RESTRICTED TO
2 PLC ±0.20		WEIGHT -	A300779	C=293605
3 PLC ±-		Customer Drawing	SCALE 3:1	SHEET 3 OF 3
4 PLC ±-				REV F2
ANGLES ±3°				
FINISH -				

单击下面可查看定价，库存，交付和生命周期等信息

[>>TE Connectivity\(泰科\)](#)