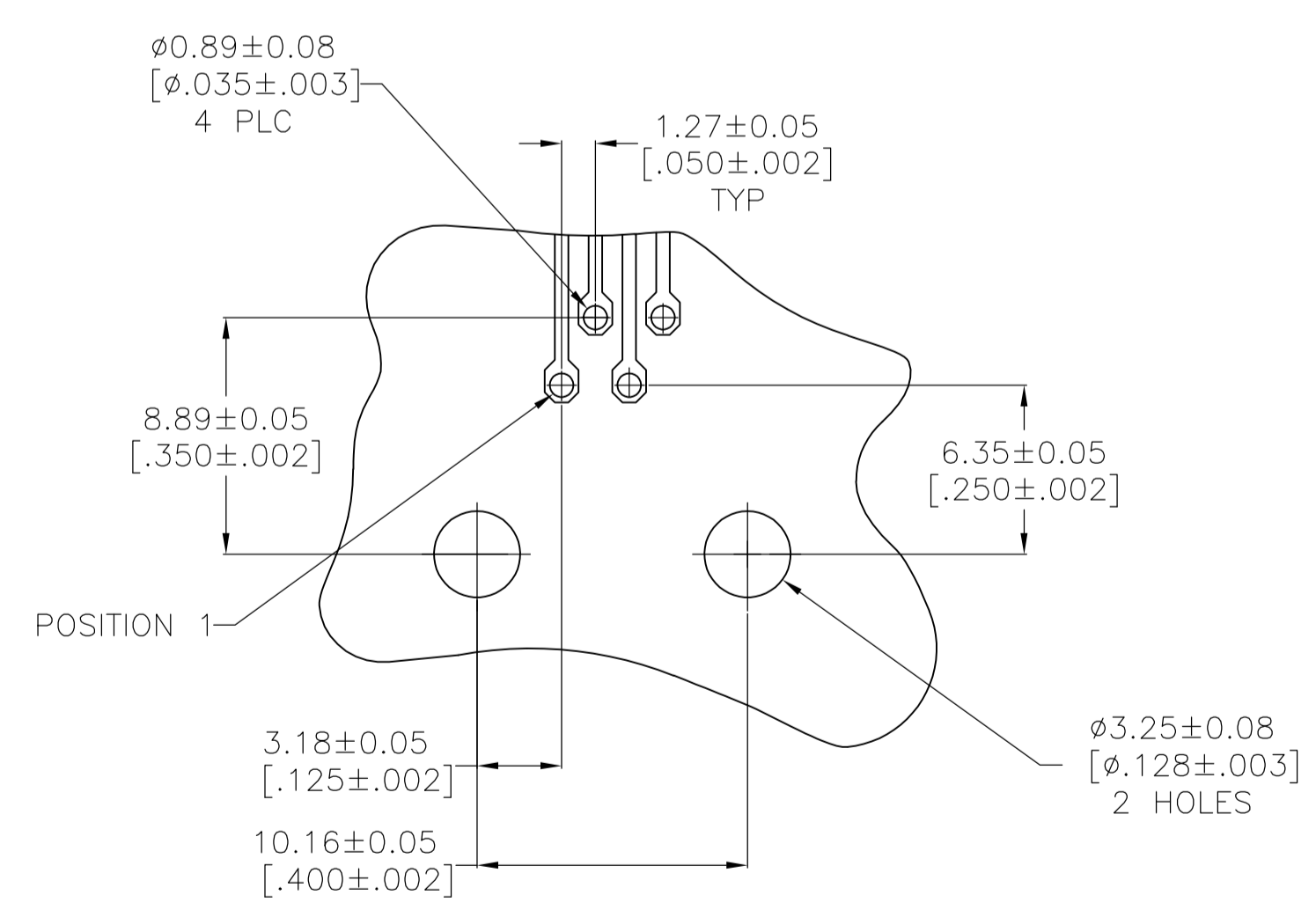
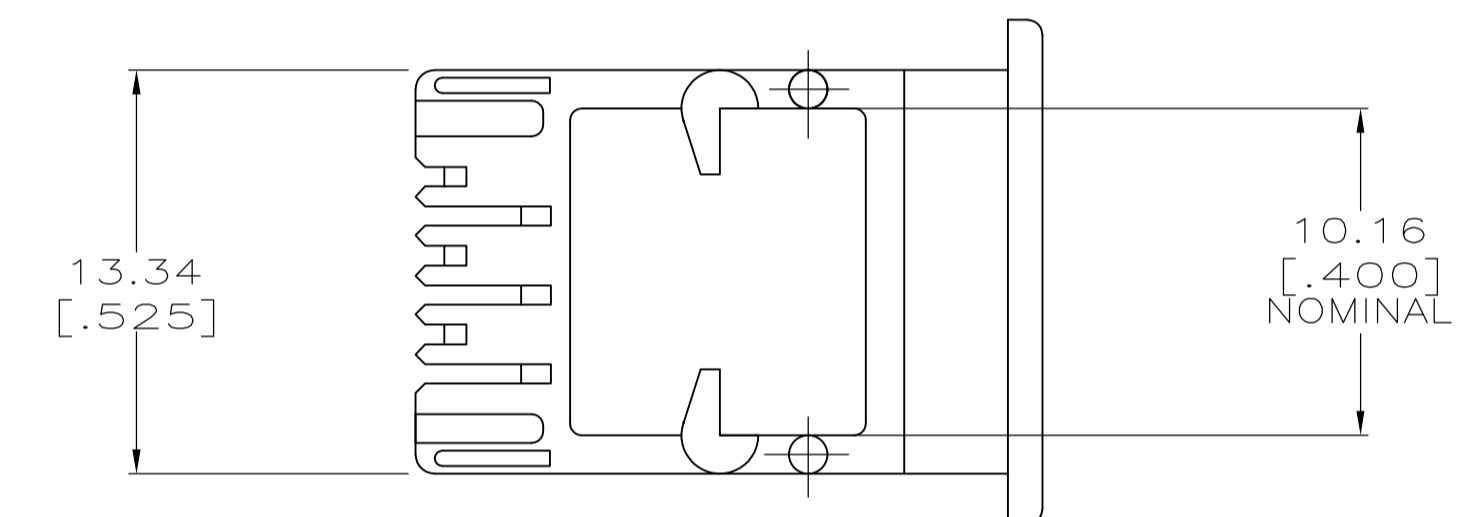
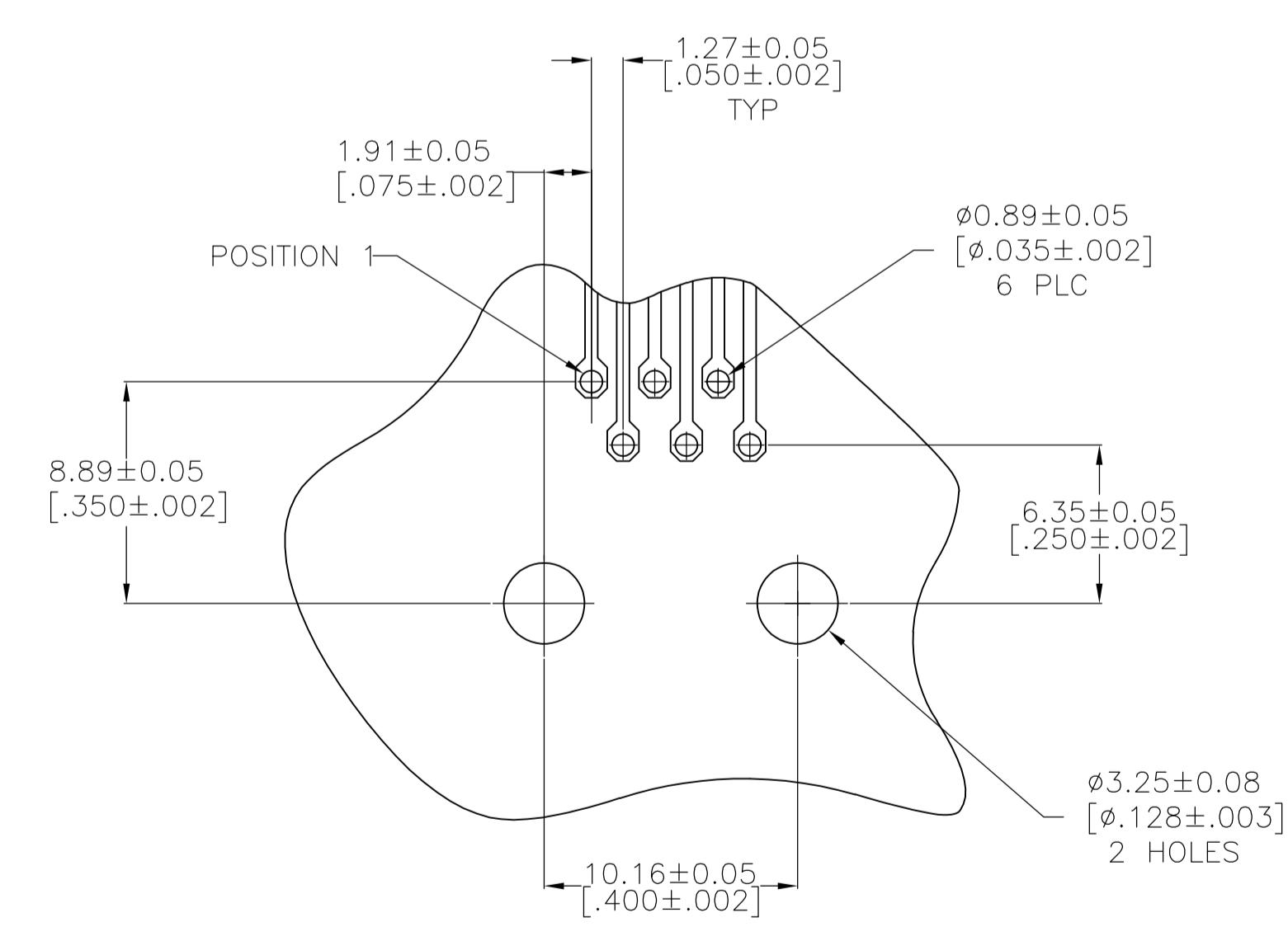


SUGGESTED PANEL CUTOUT GUIDELINES
SCALE 1:1



RECOMMENDED PRINTED CIRCUIT BOARD LAYOUT
FOR FOUR CONTACTS
COMPONENT SIDE



RECOMMENDED PRINTED CIRCUIT BOARD LAYOUT
FOR SIX CONTACTS
COMPONENT SIDE

- 1 MATERIAL:
HOUSING - PBT POLYESTER, BLACK.
TERMINAL - 0.36 [.014] THICK PHOS BRONZE PLATED WITH 1.27µm [.000050] MINIMUM THICK HARD GOLD IN LOCALIZED GOLD PLATE AREA AND 3.81µm [.000150] THICK MATTE TIN IN SOLDER AREA OVER 1.27µm [.000050] MINIMUM THICK NICKEL UNDERPLATE.
- 2 CAVITY CONFORMS TO FCC RULES AND REGULATION PART 68 AND REA BULLETIN 345-81, PE-76 SPECIFICATION FOR MODULAR TELEPHONE HARDWARE.
- 3 ALL DIMENSION ARE MAXIMUM UNLESS OTHERWISE SPECIFIED.

6	5520242-3
4	5520242-2
CONTACTS	PART NO.

THIS DRAWING IS A CONTROLLED DOCUMENT.		DIN J. ALCORTA - 17JUN2005 DOCK45		Tyco Electronics Corporation Harrisburg, PA 17105-3608	
DIMENSIONS: mm [INCHES]		TOLERANCES UNLESS OTHERWISE SPECIFIED:		APVD S. FLICKINGER 17JUN2005	
0 PLC ± -		1 PLC ± -		NAME PRINTED CIRCUIT BOARD MODULAR JACK ASSEMBLY SIDE ENTRY, 6 POSITION, FLANGED	
1 PLC ± -		2 PLC ± -		PRODUCT SPEC 108-1163	
3 PLC ± -		4 PLC ± -		APPLICATION SPEC 114-2048	
ANGLES ± -		FINISH		SIZE CAGE CODE DRAWING NO RESTRICTED TO	
MATERIAL		WEIGHT		A1 00779 C=5520242	
1		1		CUSTOMER DRAWING SCALE 4:1 SHEET 1 OF 1 REV C	

单击下面可查看定价，库存，交付和生命周期等信息

[>>TE Connectivity\(泰科\)](#)