

THIS DRAWING IS UNPUBLISHED. RELEASED FOR PUBLICATION
 © COPYRIGHT - BY TYCO ELECTRONICS CORPORATION. ALL RIGHTS RESERVED.

| | | | | | | | |
|-----|------|-----------|-----|-----------------------|---------|-----|------|
| LOC | DIST | REVISIONS | | | | | |
| GP | 00 | P | LTR | DESCRIPTION | DATE | DWN | APVD |
| | | | B | REV PER ECO-06-013947 | 30JUN06 | TK | SF |

- 7. CONTACTS PURCHASED SEPARATELY.
- 6. ELCON EQUIVALENT SERIES 298-10-01100.
- 5. ITEMS PROVIDED TO THIS SPECIFICATION TO BE PERMANENTLY IDENTIFIED PER THE FOLLOWING IDENTIFIER:



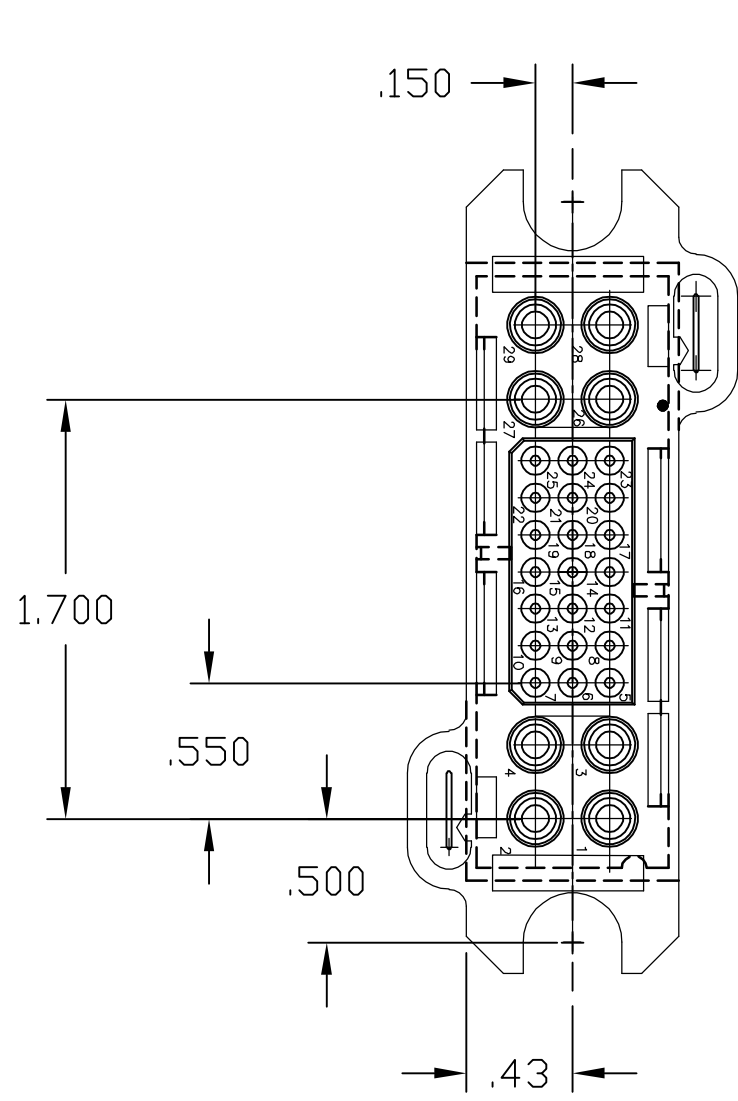
- 4. A REFERENCE DIMENSION (X.XX) IS WITHOUT TOLERANCE AND USED FOR INFORMATION ONLY.
- 3. FINISHES:
RETENTION CLIPS: BRITE DIP PICKLED PER INDUSTRY STANDARDS.
- 2. MATERIALS:
INSULATORS: THERMOPLASTIC, GLASS REINFORCED, UL94V-0 FLAMMABILITY RATED, COLOR-BLACK.
RETENTION CLIPS: COPPER OR STAINLESS STEEL.
- 1. PART NUMBER CHANGES AND OR DESIGN CHANGES AFFECTING ITEM INTERCHANGEABILITY REQUIRE PRIOR TYCO APPROVAL AND AUTHORIZATION BY REVISION TO THIS DRAWING.

NOTES: UNLESS OTHERWISE SPECIFIED

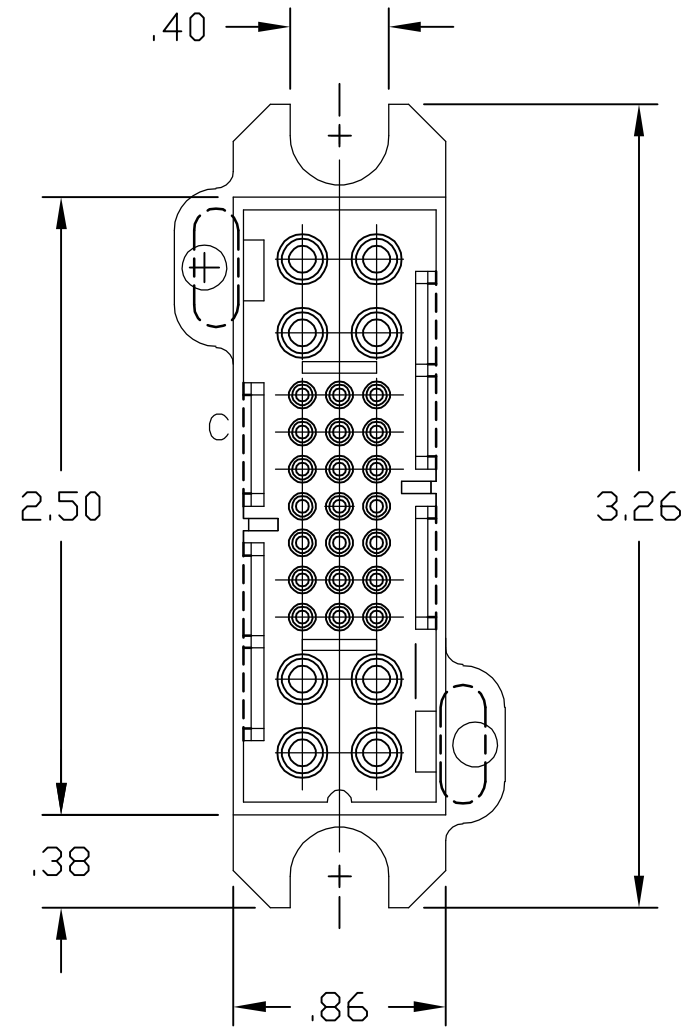
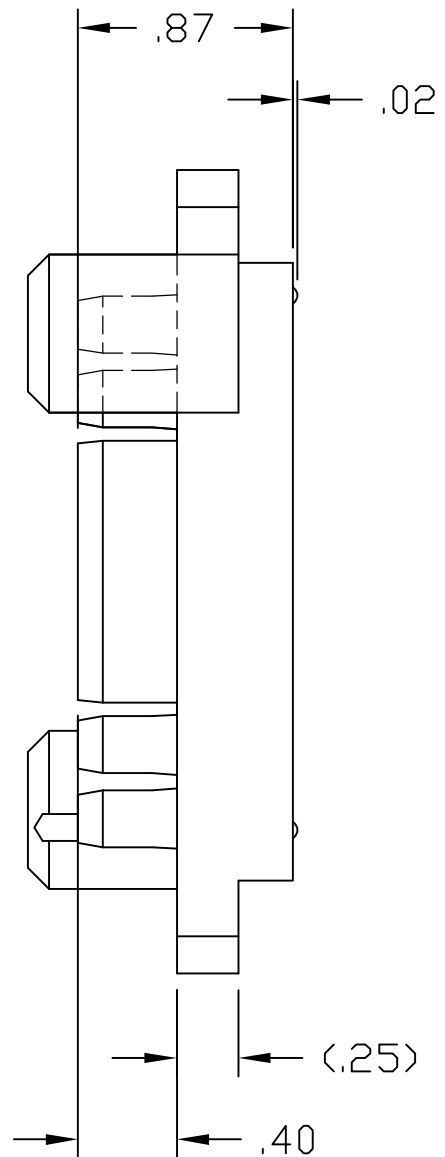
| | | | | | | | | |
|--|--|------------------|--------------|--------|---|-----------|------------|---------------|
| THIS DRAWING IS A CONTROLLED DOCUMENT. | | DWN | R.F.A. | 3/2/06 | Tyco Electronics Corporation Harrisburg, PA 17105-3608 | | | |
| DIMENSIONS: INCHES | | CHK | S.FLICKINGER | 3/3/06 | | | | |
| | | APVD | S.FLICKINGER | 3/3/06 | NAME | | | |
| TOLERANCES UNLESS OTHERWISE SPECIFIED: | | PRODUCT SPEC | | | CONNECTOR, SOCKET SIZE #16,20,12 CONFIG. LOWER DRAWER | | | |
| 0 PLC ± - | | APPLICATION SPEC | | | SIZE | CAGE CODE | DRAWING NO | RESTRICTED TO |
| 1 PLC ± - | | WEIGHT | | | A3 | 00779 | C-1648208 | - |
| 2 PLC ± .02[3] | | CUSTOMER DRAWING | | | SCALE | SHEET | REV | |
| 3 PLC ± .010[.25] | | | | | 1;1 | 1 OF 2 | B | |
| 4 PLC ± - | | | | | | | | |
| ANGLES ± 5' | | | | | | | | |
| MATERIAL | | | | | | | | |
| FINISH | | | | | | | | |

THIS DRAWING IS UNPUBLISHED. RELEASED FOR PUBLICATION
 © COPYRIGHT BY TYCO ELECTRONICS CORPORATION. ALL RIGHTS RESERVED.

| LOC | DIST | REVISIONS | | | |
|-----|------|-------------|------|-----|------|
| P | LTR | DESCRIPTION | DATE | DWN | APVD |
| GP | 00 | SEE SHEET 1 | - | - | - |



FRONT VIEW



REAR VIEW

| | | | | | | |
|---|--|--------------------------|---|--------------|------------|---------------|
| THIS DRAWING IS A CONTROLLED DOCUMENT. | | DWN R.F.A. 3/2/06 | Tyco Electronics Corporation Harrisburg, PA 17105-3608 | | | |
| DIMENSIONS: INCHES | | CHK S.FLICKINGER 3/3/06 | | | | |
| TOLERANCES UNLESS OTHERWISE SPECIFIED: | | APVD S.FLICKINGER 3/3/06 | NAME | | | |
| 0 PLC ± - 1 PLC ± - 2 PLC ± .02[3] 3 PLC ± .010[.25] 4 PLC ± - ANGLES ± 5° | | PRODUCT SPEC | CONNECTOR, SOCKET SIZE #16,20,12 CONFIG. LOWER DRAWER | | | |
| MATERIAL | | APPLICATION SPEC | SIZE | CAGE CODE | DRAWING NO | RESTRICTED TO |
| FINISH | | WEIGHT | A3 | 00779 | C-1648208 | - |
| CUSTOMER DRAWING | | | SCALE 1:1 | SHEET 2 OF 2 | REV B | |

单击下面可查看定价，库存，交付和生命周期等信息

[>>TE Connectivity\(泰科\)](#)