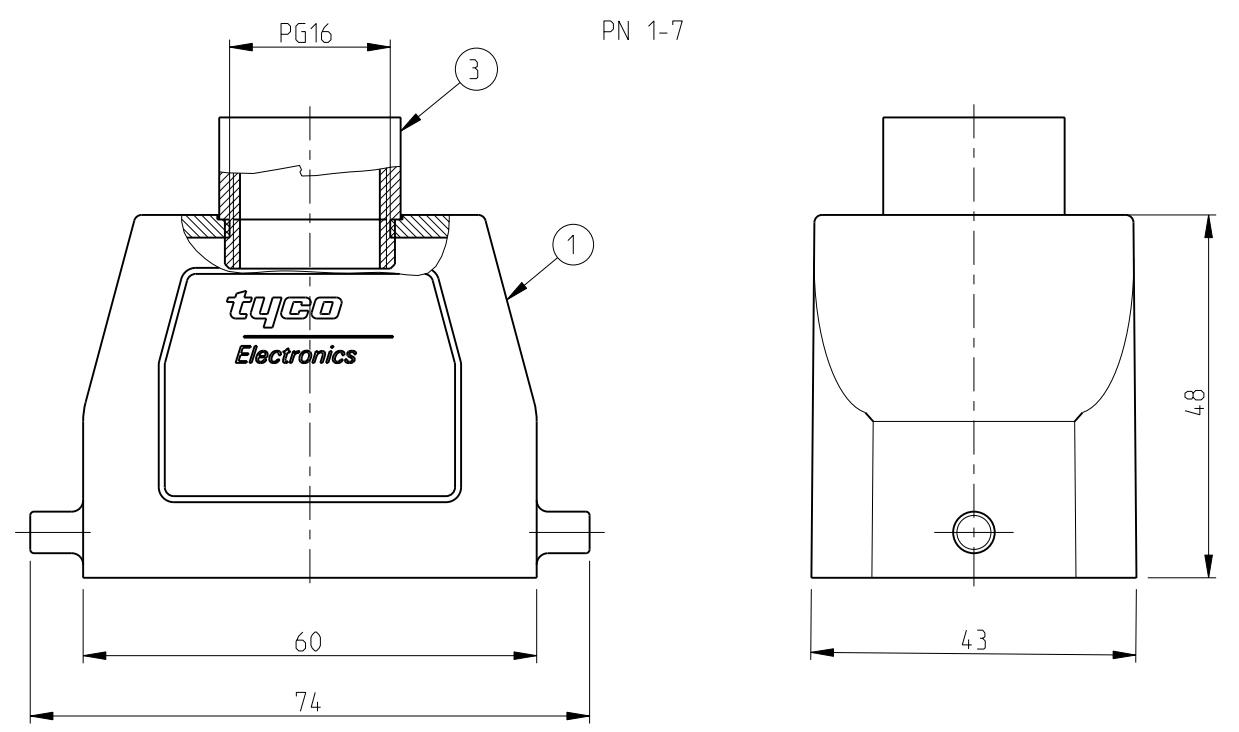


THIS DRAWING IS UNPUBLISHED. RELEASED FOR PUBLICATION 1999
 © COPYRIGHT 1998 BY TYCO ELECTRONICS CORPORATION. ALL RIGHTS RESERVED.

LOC	DIST	REVISIONS					
		P	LTR	DESCRIPTION	DATE	DWN	APVD
A1			A3	Released as per ECR-08-005944	06.Mar.2008	SP	TS

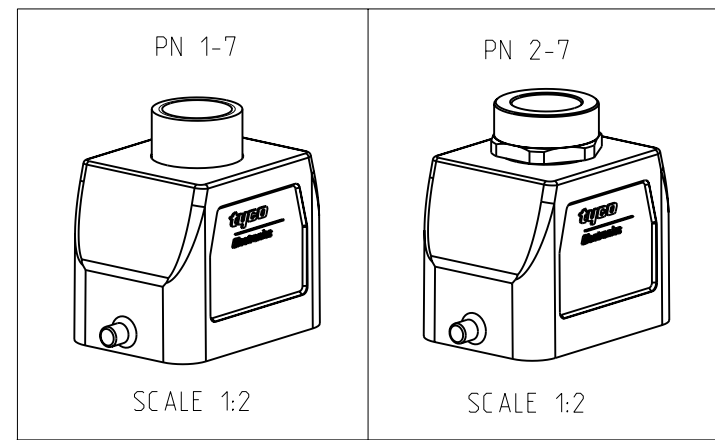
D



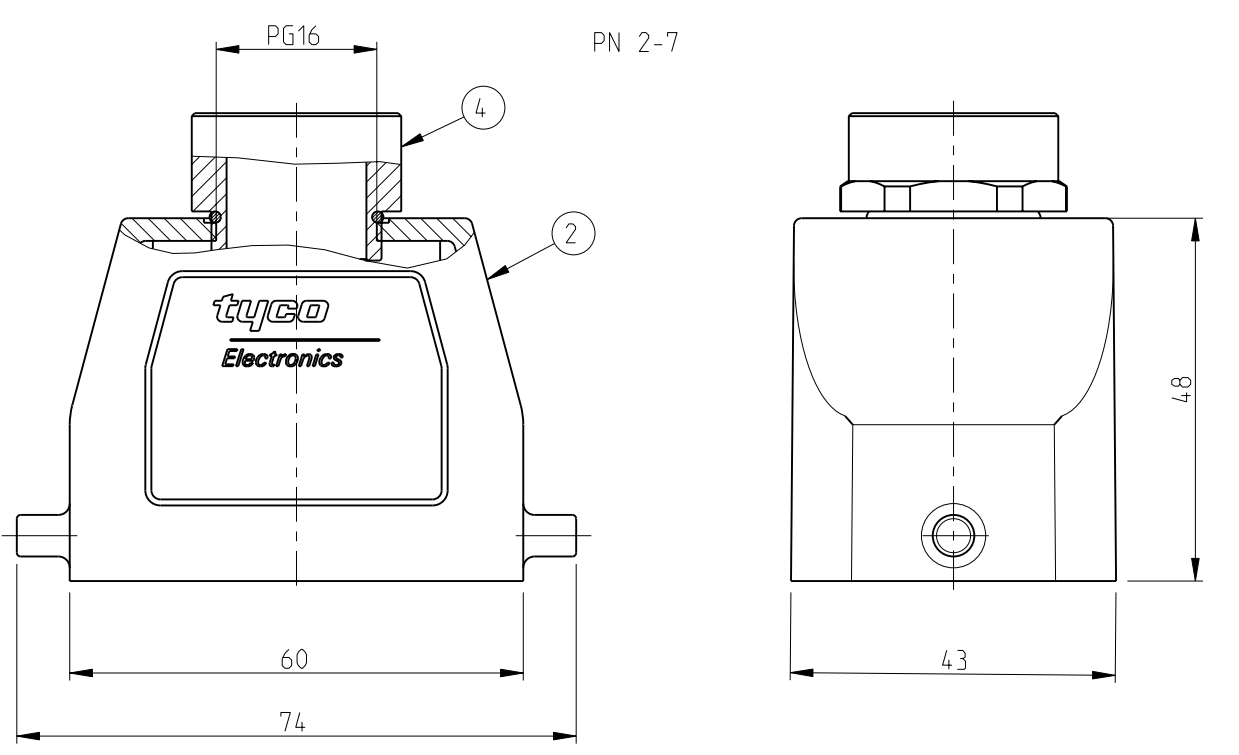
NOTES

- 1 Material: Housing: Aluminium diecasting alloy
- 2 Surface:- Varnish-grey
Aluminium oxide+
Varnish black
- 3 Varnish on the inside not necessary
- 4 Packaging
Packaging quantity: 5 pieces in a box

C



B



1	-	6-Kt-Adapter	Brass	Nickle plated	Blue	4	PG16
-	1	Adapter round	Brass	Nickle plated	Blue	3	PG16
1	-	HB-K.Hood	Aluminium	Aluminium oxide	Black	2	-
-	1	HB.Hood	Aluminium	-	Grey	1	-
2-7	1-7	DESCRIPTION	MATERIAL	SURFACE	COLOR	ITEM NO	NOTES

A

THIS DRAWING IS A CONTROLLED DOCUMENT FOR TYCO ELECTRONICS CORPORATION
 IT IS SUBJECT TO CHANGE AND THE CONTROLLING ENGINEERING ORGANIZATION
 SHOULD BE CONTACTED FOR THE LATEST REVISION.

DIMENSIONS:		TOLERANCES UNLESS OTHERWISE SPECIFIED:	
mm		n-ISO 8015 n-ISO 2768-mH-E n-DIN 16901-120	
	0 PLC	±	
	1 PLC	±	
	2 PLC	±	
	3 PLC	±	
	4 PLC	±	
	ANGLES	±	
MATERIAL	FINISH		

DWN	Schneider	26.11.02		Tyco Electronics.AMP.GmbH	
CHK	Schweiger	26.11.02		D-53819.Neunkirchen.Germany	
APVD					
PRODUCT SPEC				NAME	
APPLICATION SPEC				Hood HB.6.STO.1.16.Z	
WEIGHT	SIZE	CAGE CODE	DRAWING NO	RESTRICTED TO	
	A3	00779	©=1102242		
CUSTOMER DRAWING			SCALE	SHEET	REV
			1:1	1 OF 1	A3

单击下面可查看定价，库存，交付和生命周期等信息

[>>TE Connectivity\(泰科\)](#)