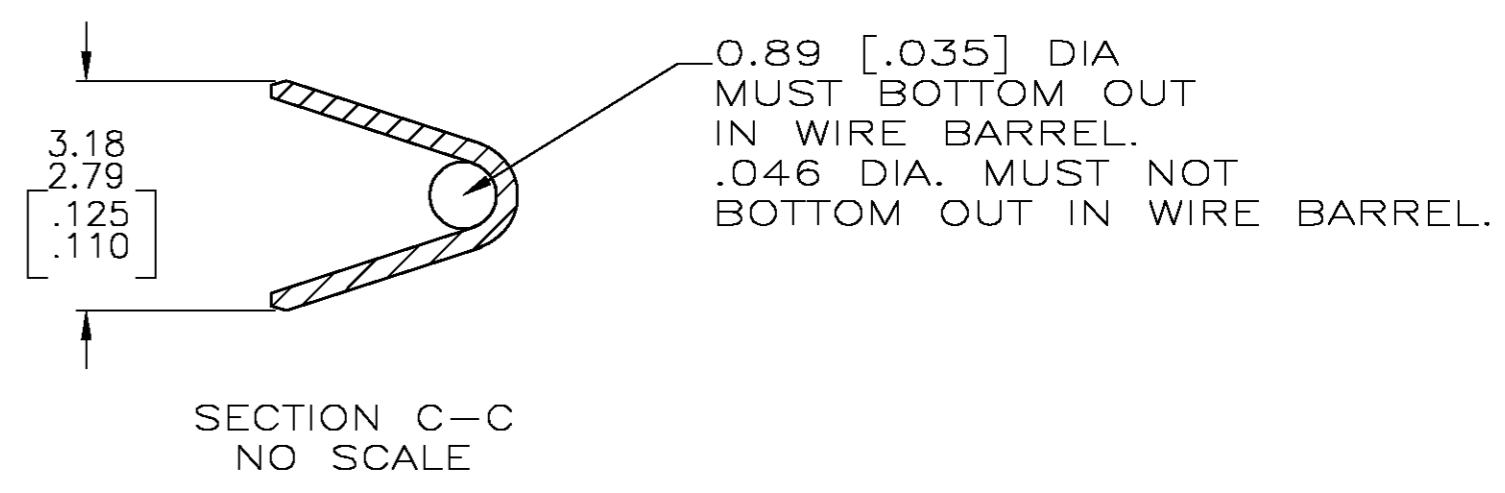
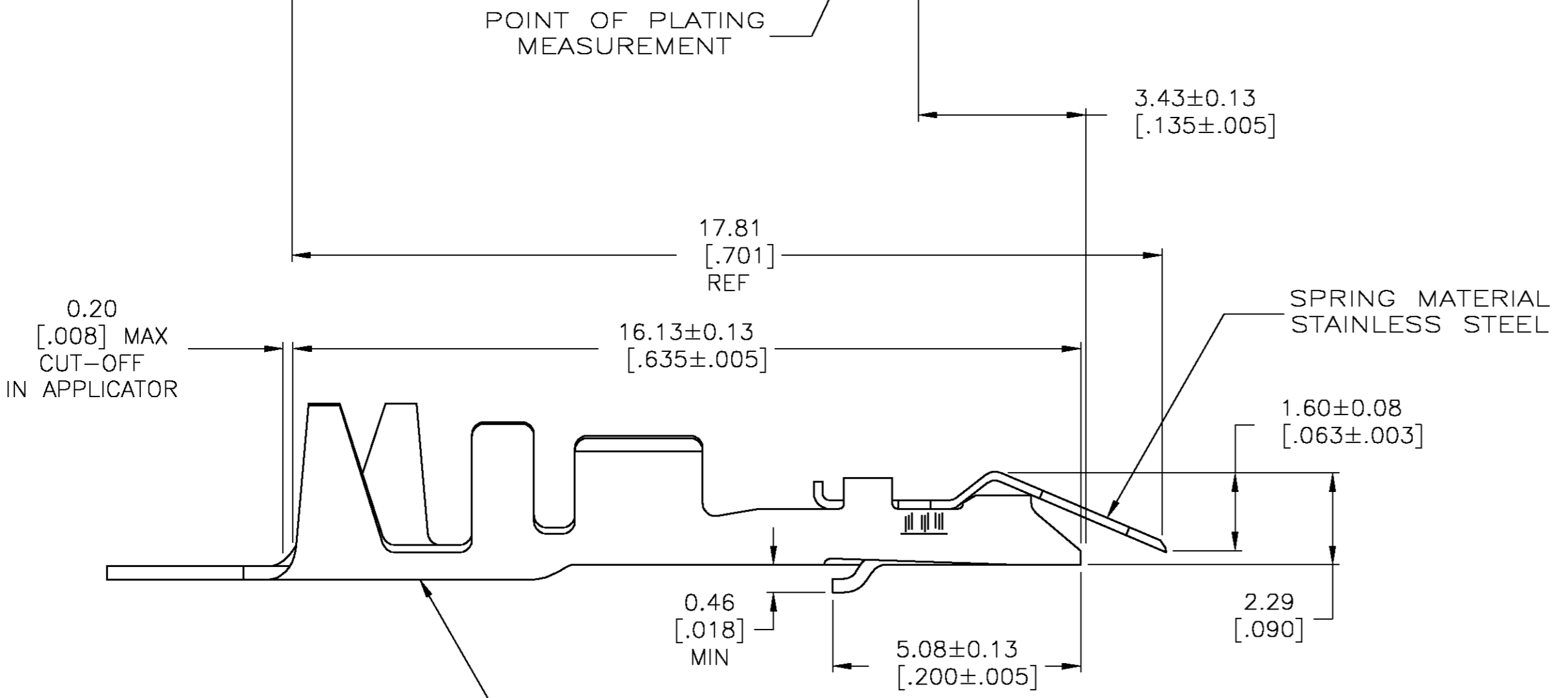
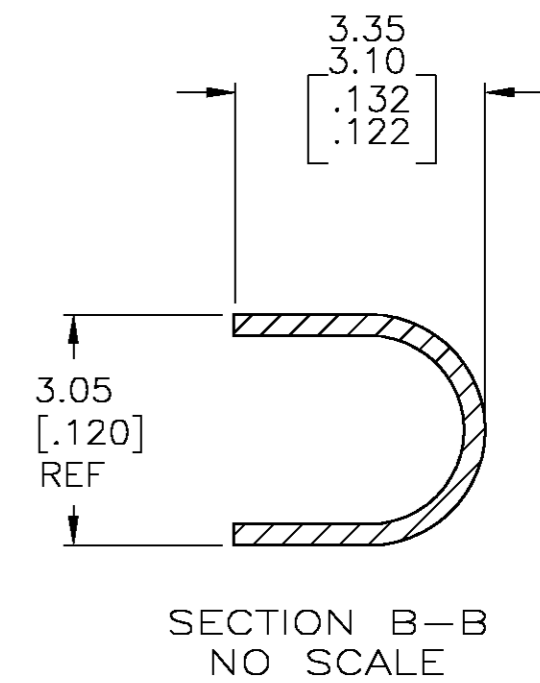
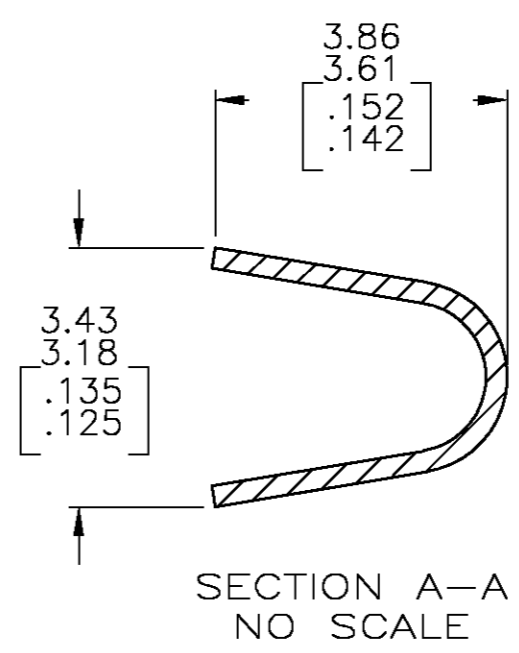
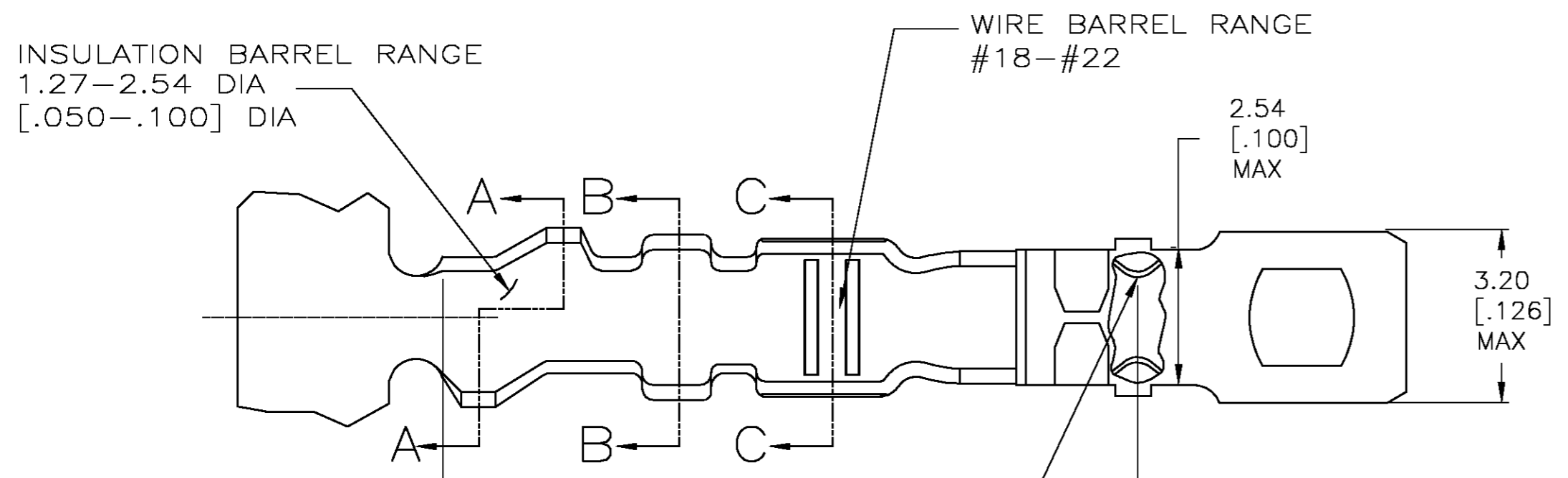


THIS DRAWING IS UNPUBLISHED. RELEASED FOR PUBLICATION
 © COPYRIGHT BY TYCO ELECTRONICS CORPORATION. ALL RIGHTS RESERVED.

LOC		DIST		REVISIONS			
P	LTR	DESCRIPTION		DATE	DWN	APVD	
AD	00	A	EC	OG3C 0223 05	2APR05	BSV/DLS	

1. PLATED WITH .000100 TIN-LEAD OVER .000030 NICKEL-ENTIRE CONTACT
2. FOR WIRE INSULATION GREATER THAN .100 DIA. THE INSULATION STRIP LENGTH SHOULD BE .370-THIS PLACES THE INSULATION OUTSIDE THE BARREL.
3. PLATED WITH .000100 TIN OVER .000030 NICKEL-ENTIRE CONTACT



BODY: MATERIAL- PHOSPHOR BRONZE FINISH. SEE CHART

	-	5-147082-1
	-	147082-1
BODY FINISH	PART NO. (LOOSE PIECE)	PART NO. (STRIP)

THIS DRAWING IS A CONTROLLED DOCUMENT.		DWN B. HAYMAKER 22JUN98	Tyco Electronics Corporation Harrisburg, Pa 17105-3608	
DIMENSIONS: mm [INCHES]		CHK B. SPINK 22JUN98	NAME	
TOLERANCES UNLESS OTHERWISE SPECIFIED:		APVD -	PRODUCT SPEC	
0 PLC ± -		APPLICATION SPEC	CONTACT LOCKING CLIP .031 X .062 POST	
1 PLC ± -		WEIGHT	SIZE A2	CAGE CODE 00779
2 PLC ± -		FINISH SEE CHART	DRAWING NO C=147082	RESTRICTED TO
3 PLC ± 0.20 [.008]		CUSTOMER DRAWING	SCALE 10:1	SHEET 1 OF 1
4 PLC ± -			REV A	
ANGLES ± -				
MATERIAL AS NOTED				

单击下面可查看定价，库存，交付和生命周期等信息

[>>TE Connectivity\(泰科\)](#)