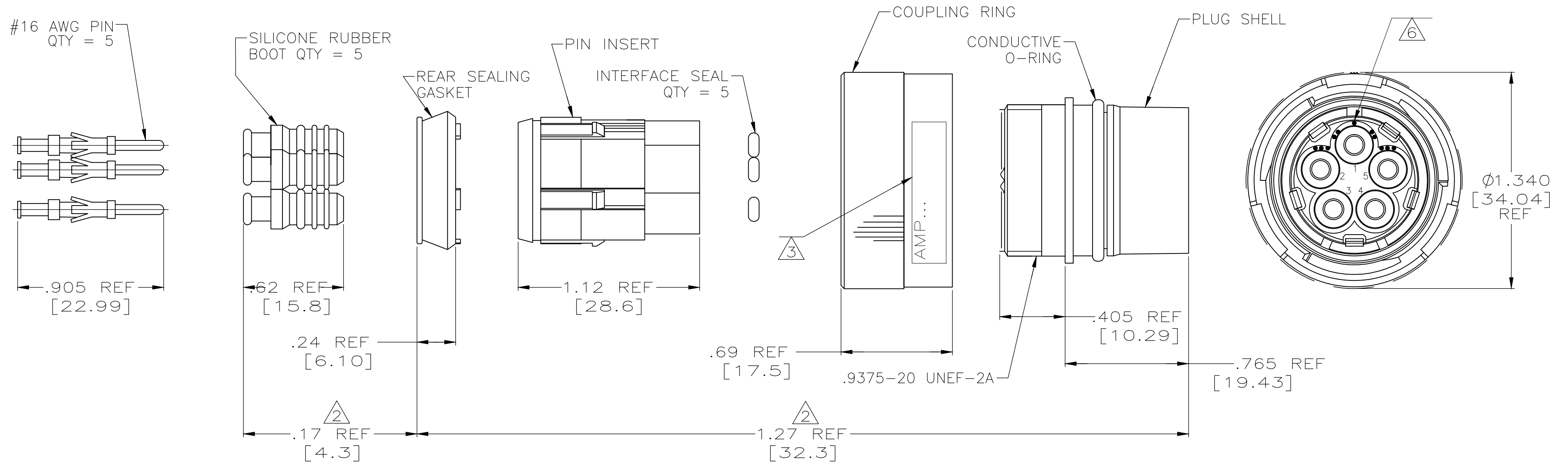


THIS DRAWING IS UNPUBLISHED. RELEASED FOR PUBLICATION  
 © COPYRIGHT - By - ALL RIGHTS RESERVED.

LOC	DIST	REVISIONS					
DF	S0	P	LTR	DESCRIPTION	DATE	DWN	APVD
		M		REVISION PER ECO-14-009169	02JUL2014	MGM	CT



- THIS PLUG REQUIRES A SIZE 16 MIL-C-38999F BACKSHELL OR EQUIVALENT STRAIN RELIEF.
- THE INDICATED DIMENSIONS APPLY AFTER ASSEMBLY. COMPLETE OVERALL DIMENSIONS AFTER ASSEMBLY DEPEND UPON THE SPECIFIC BACKSHELL OR STRAIN RELIEF USED.
- MARKED PER MIL-STD-130, .12 HIGH CHARS., WITH WHITE INK. SEE TABLE FOR SPECIAL MARKING.
- 
- THE THREE OUTER COUPLING RING LATCHES ARE BONDED TO INNER HELIX RING WITH AN EPOXY BASE ADHESIVE.
- SINGLE DOT POLARIZATION SHOWN FOR REFERENCE ONLY.
- PART TO BE MARKED WITH CURRENT REV. LEVEL.

OBSOLETE	-	49956-928265-1	△7	863753-5
OBSOLETE	(00779/AMP,863753-4)DATE CODE	49956-848285-2B	REV M	863753-4
OBSOLETE	(00779/AMP,863753-3)DATE CODE	49956-848285-2A	REV M	863753-3
OBSOLETE	(00779/AMP,863753-2)DATE CODE	49956-848285-2	REV M	863753-2
	(00779/AMP,863753-1)DATE CODE	-		863753-1
	AMP INFO	CUSTOMER INFO		PART NO.

DIMENSIONS:		TOLERANCES UNLESS OTHERWISE SPECIFIED:		MARKING	
INCHES		0 PLC	± -	APVD	-
		1 PLC	± -	PRODUCT SPEC	-
		2 PLC	± -	APPLICATION SPEC	-
		3 PLC	± -	WEIGHT	-
		4 PLC	± -	CUSTOMER DRAWING	-
		ANGLES	± -	SCALE	2:1
		FINISH	-	SHEET	1 OF 1

THIS DRAWING IS A CONTROLLED DOCUMENT.		DWN		TE Connectivity	
		C.C.THOMAS 5-17-93		PLUG KIT,5 POSN.,LGH	
		CHK S.GLATFELTER 5-20-93		-	
		APVD -		-	
		NAME		-	
		PRODUCT SPEC		-	
		APPLICATION SPEC		-	
		WEIGHT		-	
		CUSTOMER DRAWING		-	
		SCALE		2:1	
		SHEET		1 OF 1	
		REV		M	

单击下面可查看定价，库存，交付和生命周期等信息

[>>TE Connectivity\(泰科\)](#)