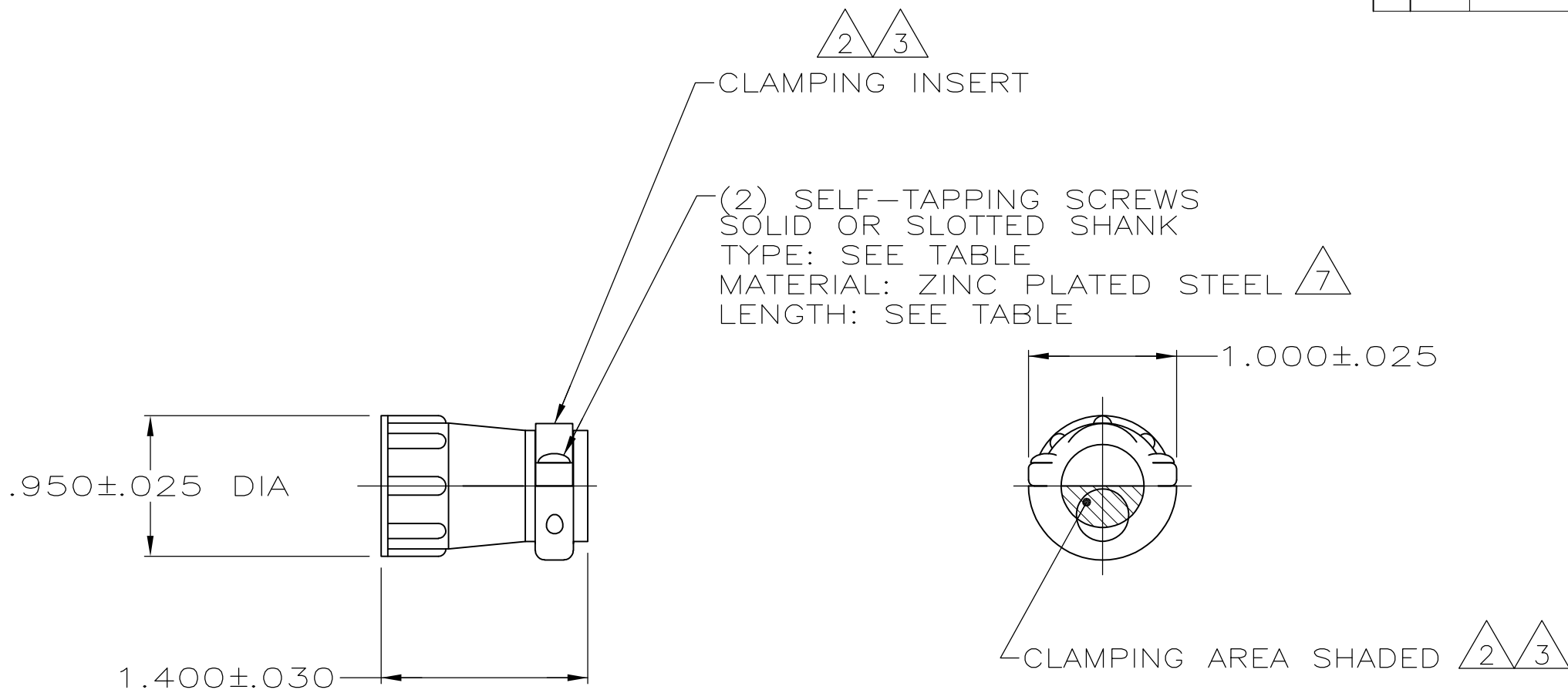


THIS DRAWING IS UNPUBLISHED. RELEASED FOR PUBLICATION
 © COPYRIGHT - By - ALL RIGHTS RESERVED.

LOC	DIST	REVISIONS					
FT	0	P	LTR	DESCRIPTION	DATE	DWN	APVD
			M3	REVISED PER ECO-11-004587	11MAR11	RK	HMR



(triangle 2)	(triangle 7)	(triangle 5)	BULK	$.50 \pm .05$	#5-20	206966-9
(triangle 8)	(triangle 2)	(triangle 7)	OBSOLETE SMALL PACK	$.50 \pm .05$	#5-20	206966-8
		(triangle 2)	INDIVIDUAL	$.50 \pm .05$	#5-20	206966-7
	(triangle 8)	(triangle 7)	OBSOLETE SMALL PACK	$.50 \pm .05$	#5-20	206966-6
(triangle 2)	AMP BRAZIL USE ONLY		INDIVIDUAL	$12\text{mm} \pm .8$	3mm-20	(triangle 6) 206966-5
			INDIVIDUAL	$.50 \pm .05$	#5-20	(triangle 6) 206966-4
(triangle 7)	SUPERSEDED BY 206966-9		(triangle 5) BULK	$.50 \pm .05$	#5-20	206966-2
(triangle 7)	SUPERSEDED BY 206966-7		INDIVIDUAL	$.50 \pm .05$	#5-20	206966-1
			PACKAGING	SCREW LENGTH	SCREW TYPE	PART NUMBER

- 1 PARTS PACKAGED UNASSEMBLED.
- (triangle 2) CABLE CLAMPING AREA ADJUSTABLE FROM .010 TO .161 SQ IN BY REVERSING CLAMPING INSERTS. (2 INSERTS SUPPLIED).
- (triangle 3) CABLE CLAMPING AREA ADJUSTABLE FROM .010 TO .161 SQ IN BY CHANGING CLAMPING INSERTS. (4 INSERTS SUPPLIED, -4 ONLY).
- 4 .453 MAXIMUM CABLE OUTSIDE DIAMETER.
- (triangle 5) BULK PACKAGED KITS TO BE ORDERED IN MULTIPLES OF 200 ONLY.
- (triangle 6) OBSOLETE PART NUMBER.
- (triangle 7) ZINC PLATED NON-HEXAVALENT CHROMATE.
- (triangle 8) OBSOLETE PARTS: OBSOLETE CIS STREAMLINING PER D.RENAUD/D.SINISI

THIS DRAWING IS A CONTROLLED DOCUMENT.		DWN A GRAFF 4/23/91	STE TE Connectivity	
DIMENSIONS: INCHES		CHK W.G.LENKER 7-23-92		
TOLERANCES UNLESS OTHERWISE SPECIFIED:		APVD -	NAME	
0 PLC ± -		PRODUCT SPEC	CABLE CLAMP KIT, STANDARD, SHELL SIZE 13, CPC	
1 PLC ± -		108-10024		
2 PLC ± -		APPLICATION SPEC		
3 PLC ± -			SIZE	CAGE CODE
4 PLC ± -			A3	00779
ANGLES ± -		WEIGHT	DRAWING NO	RESTRICTED TO
FINISH -			C-206966	-
MATERIAL THERMOPLASTIC		CUSTOMER DRAWING		SCALE NTS
		SHEET 1 OF 1		REV M3

单击下面可查看定价，库存，交付和生命周期等信息

[>>TE Connectivity\(泰科\)](#)