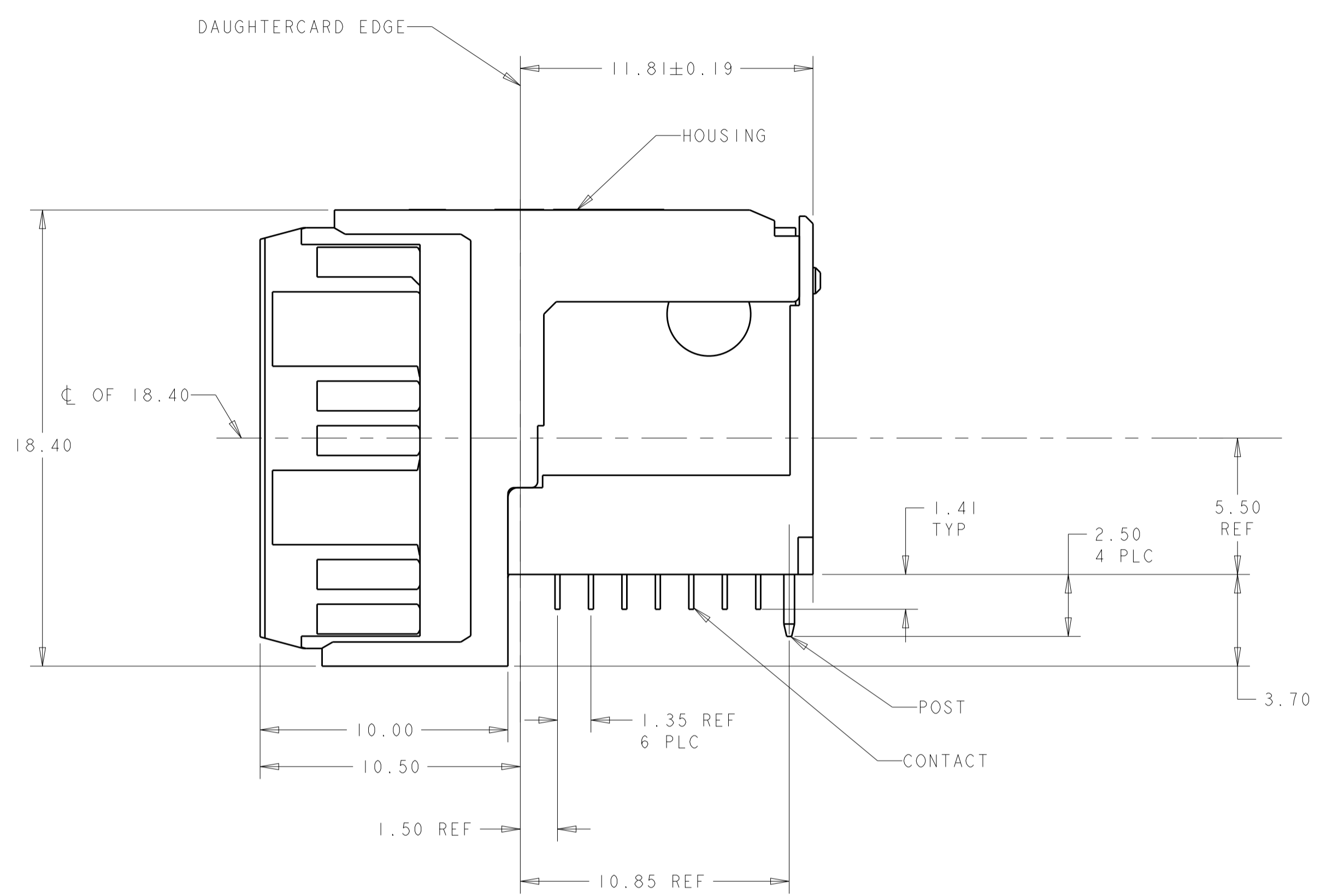
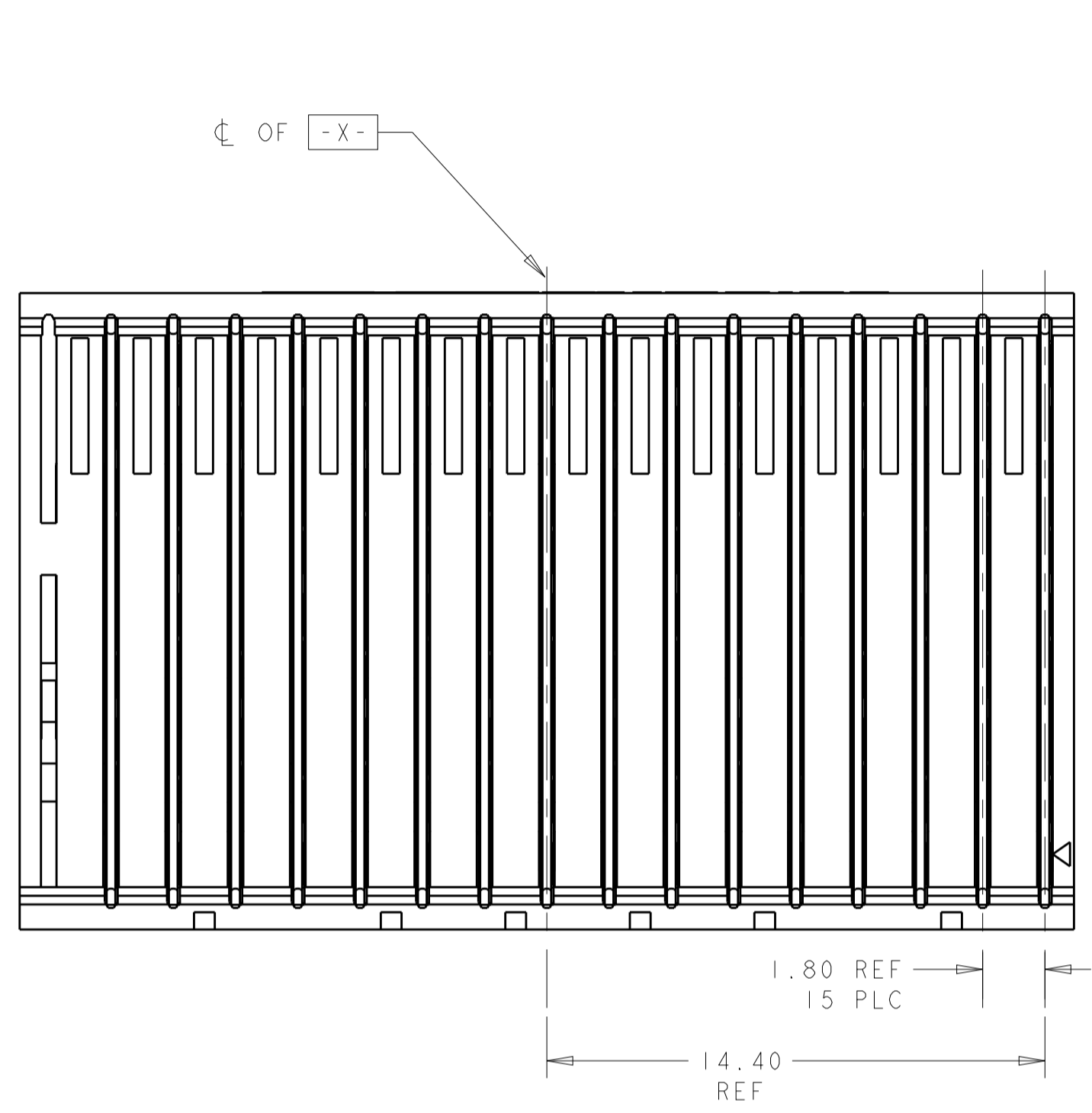


LOC		DIST		REVISIONS			
				DESCRIPTION	DATE	DMN	APVD
				B	RELEASED PER ECO-13-004502	12MAR2013	KM DH
				C	REVISED PER ECO-13-008265	15MAY2013	DB DH



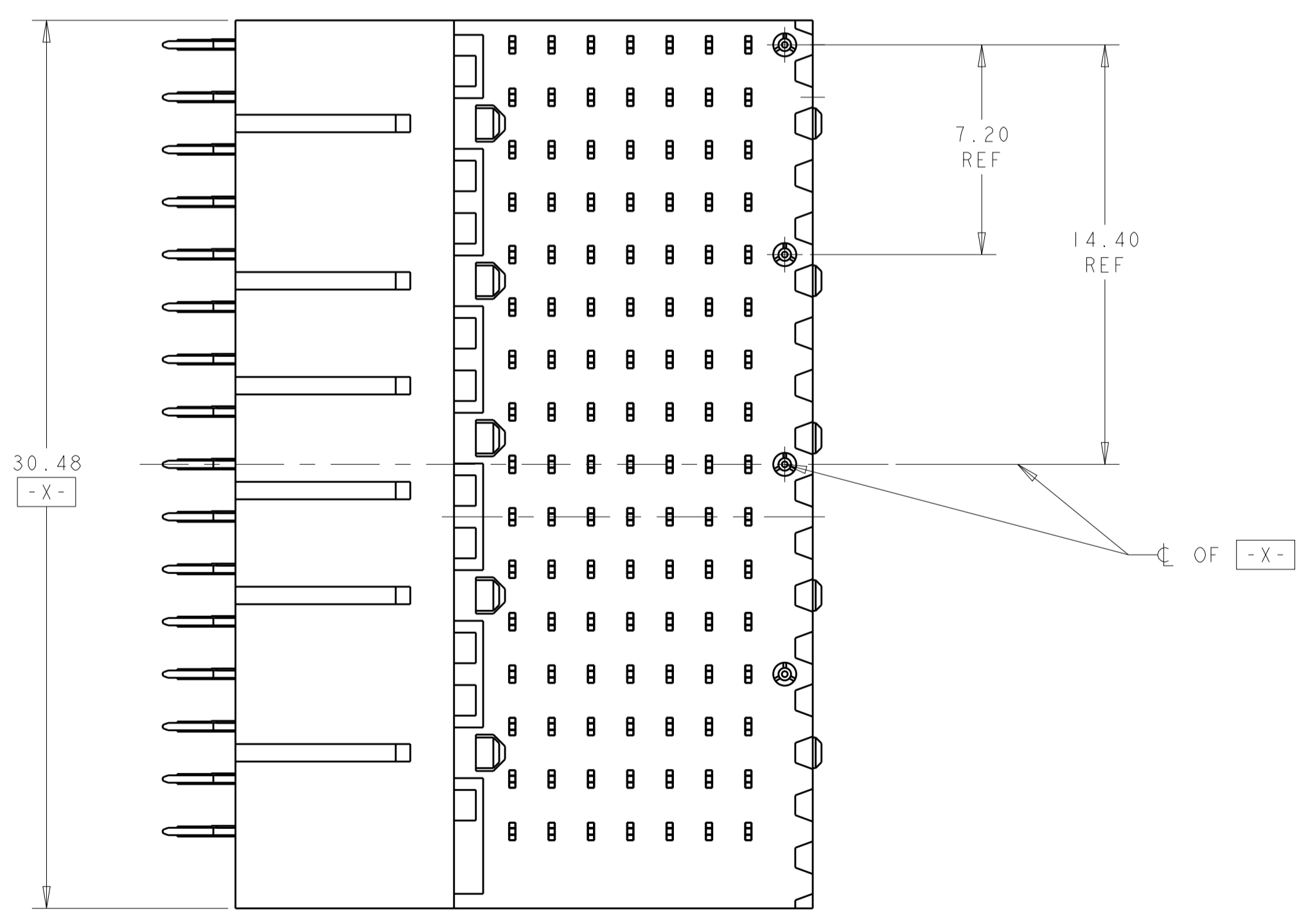
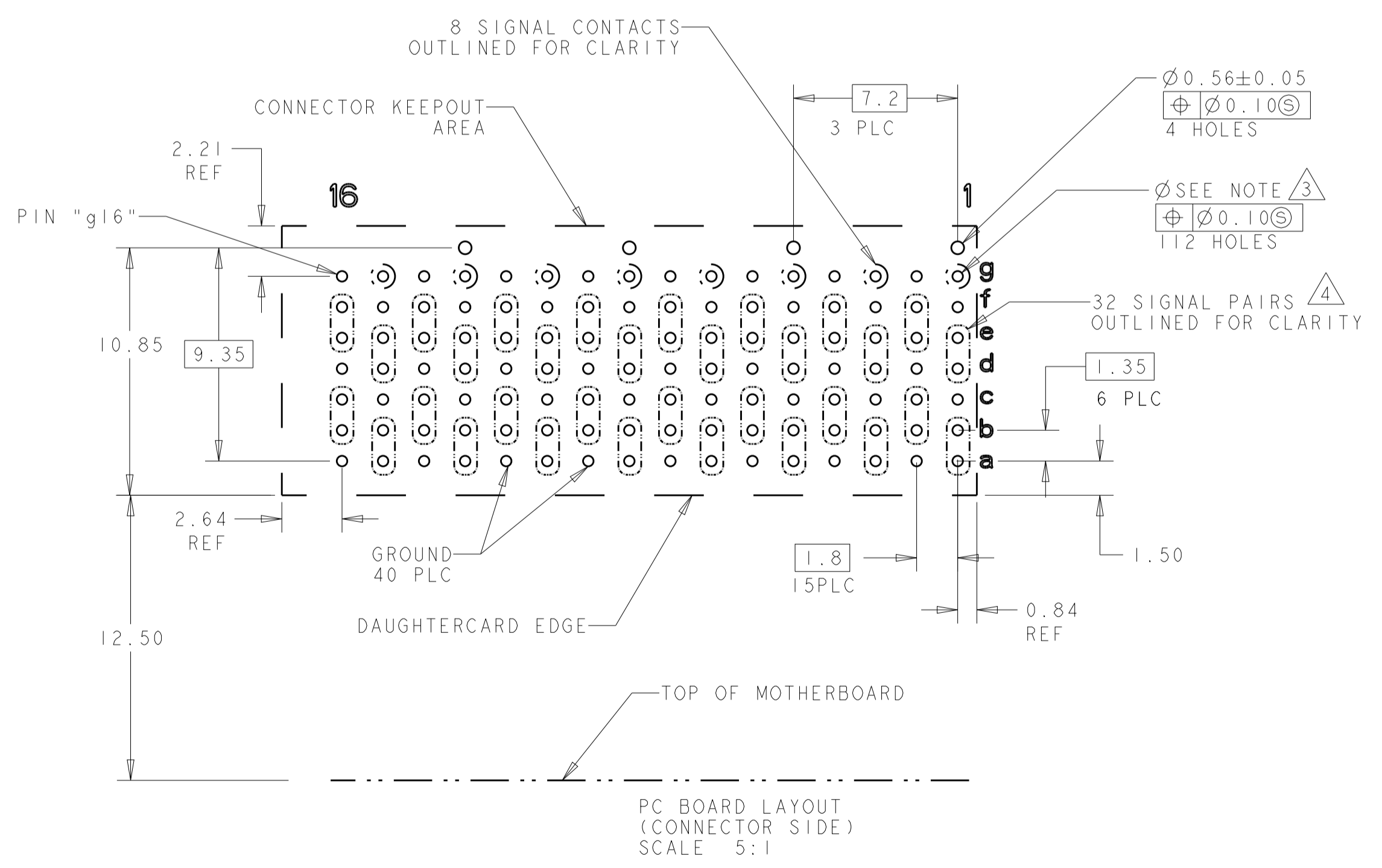
- ① HOUSING: LCP, UL94V0, COLOR: BLACK.
CONTACT: PHOSPHOR BRONZE.
POST: BRASS WIRE
- ② CONTACT: 1.27μm MIN GOLD IN PAD CONTACT AREA
1.27μm MIN TIN-LEAD ON PCB TAIL
OVER 1.27μm MIN NICKEL OVER ALL.
POST: 1.27μm MIN NICKEL PLATED.
- ③ PLATED THROUGH HOLE PER 114-13056, FIGURE 4
- ④ SEE TABLE 1 FOR INTERCONNECTIONS TO BACKPLANE CONNECTOR.
- ⑤ CONTACT: 1.27μm MIN GOLD IN PAD CONTACT AREA,
1.27μm MIN TIN ON PCB TAIL OVER 1.27μm MIN.
NICKEL OVER ALL.
POST: 1.27μm MIN NICKEL PLATED.

TABLE 1
 INTERCONNECTIONS WITH BACKPLANE CONNECTOR 2102737

TYPICAL INTERCONNECTIONS FOR EACH EVEN-NUMBERED COLUMN (WAFER): 2,4,6,8,10,12,14,16		
CONTACT USAGE	DAUGHTERCARD CONNECTOR PIN	BACKPLANE CONNECTOR PIN
SIGNAL PAIR	bx	cx
SIGNAL PAIR	cx	dx
SIGNAL PAIR	ex	gx
SIGNAL PAIR	fx	hx
GROUND	ax, dx, gx, (ALL COMMONED)	ax, bx, ex, fx, ix

TYPICAL INTERCONNECTIONS FOR EACH ODD-NUMBERED COLUMN (WAFER): 1,3,5,7,9,11,13,15		
CONTACT USAGE	DAUGHTERCARD CONNECTOR PIN	BACKPLANE CONNECTOR PIN
SIGNAL PAIR	ax	ax
SIGNAL PAIR	bx	bx
SIGNAL PAIR	dx	ex
SIGNAL PAIR	ex	fx
SIGNAL	gx	ix
GROUND	cx, fx (ALL COMMONED)	cx, dx, gx, hx

NOTE: "x" DESIGNATES THE COLUMN NUMBER



⑤	2102870-2
②	2102870-1
PLATING	PART NO

THIS DRAWING IS A CONTROLLED DOCUMENT.

DIMENSIONS:	TOLERANCES UNLESS OTHERWISE SPECIFIED:	DMN: K. MILLER 05JAN2012	CHK: K. THACKSTON 12JAN2012	APVD: M. McALONIS 12SEP2012
mm	0 PLC ±0.5 2 PLC ±0.13 3 PLC ±0.13 4 PLC ±0.13 ANGLES ±1°	PRODUCT SPEC: 108-2072	APPLICATION SPEC: 114-13056	SIZE: A100779C=2102870
MATERIAL:	FINISH: SEE TABLE	WEIGHT: 10.42g	Customer Drawing	RESTRICTED TO: -

TE Connectivity
 RIGHT-ANGLE PLUG ASSEMBLY, 7 ROW, RT. END, 20.3mm, MULTIGIG RT 2-R DAUGHTERCARD CONNECTOR, DIFFERENTIAL
 SCALE 3:1 SHEET 1 OF 1 REV C

单击下面可查看定价，库存，交付和生命周期等信息

[>>TE Connectivity\(泰科\)](#)