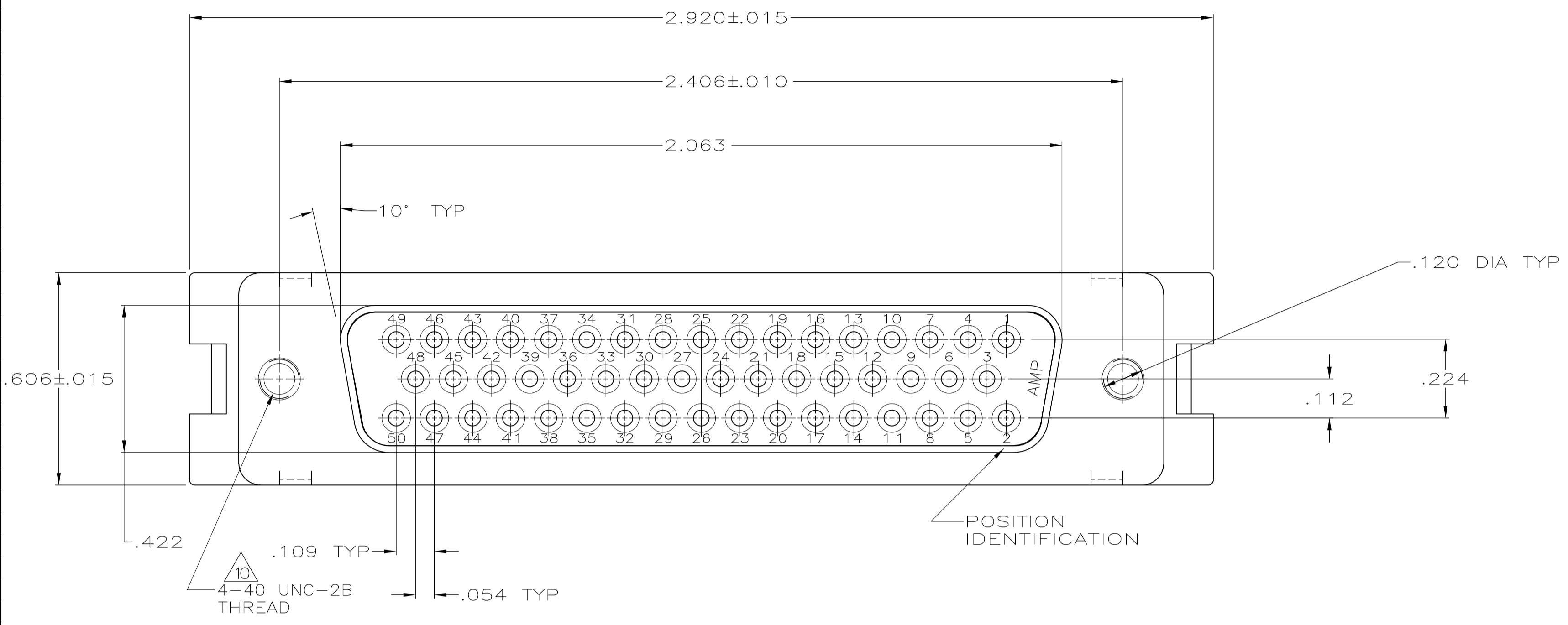
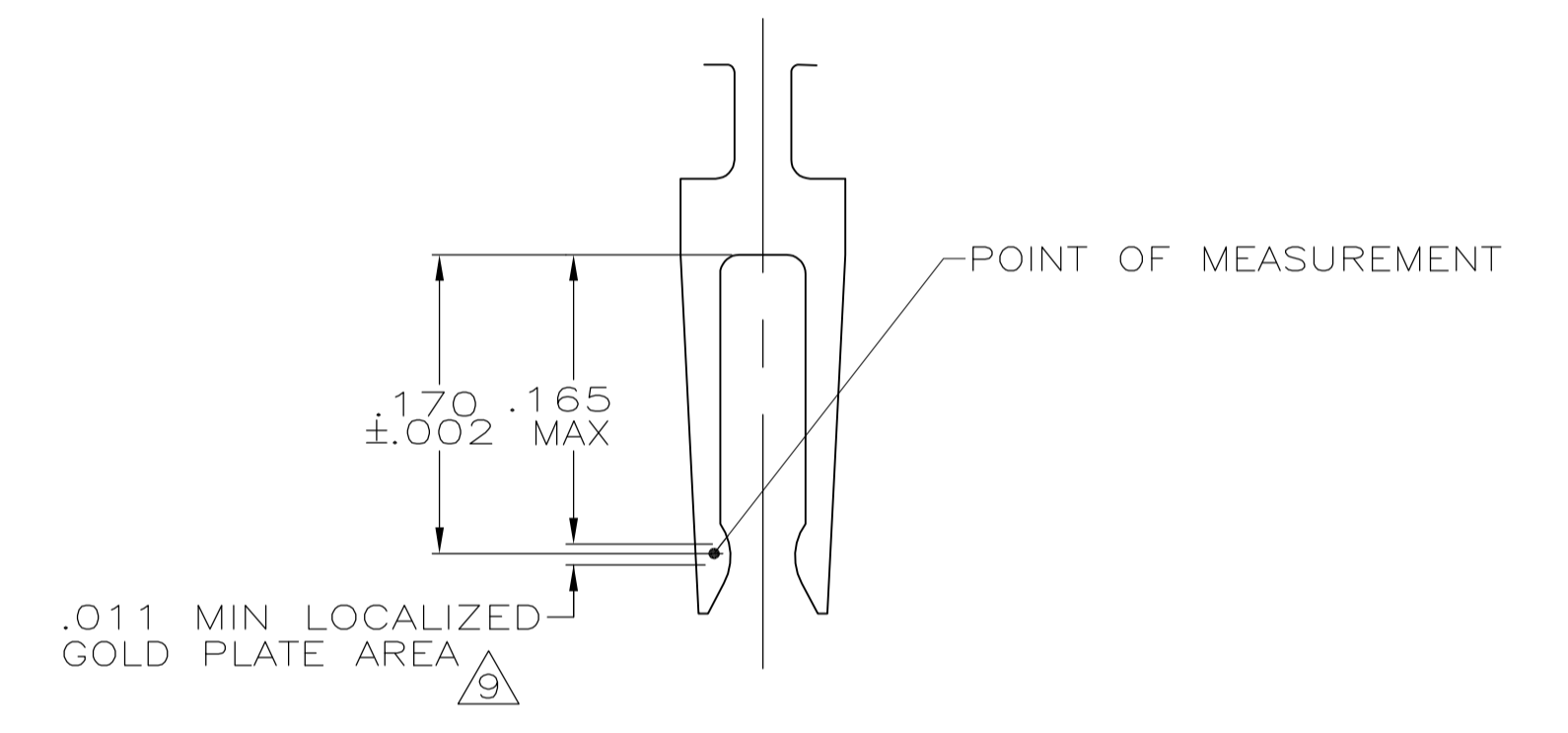
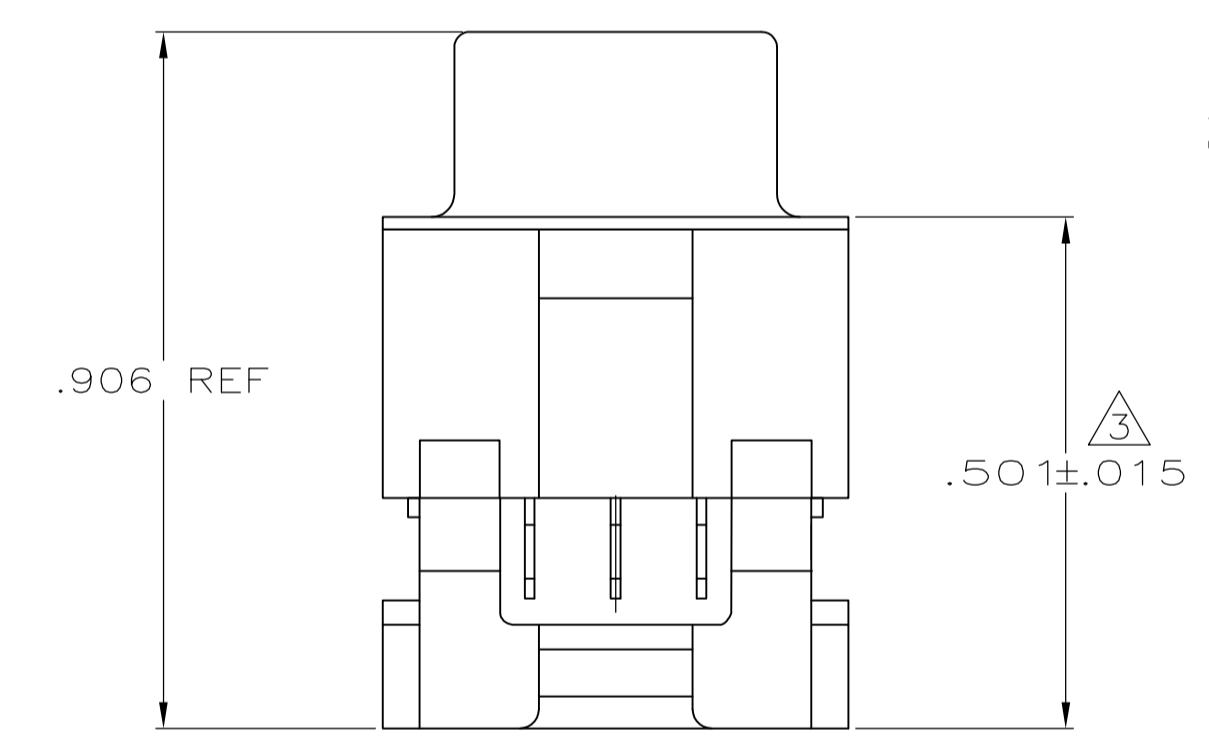
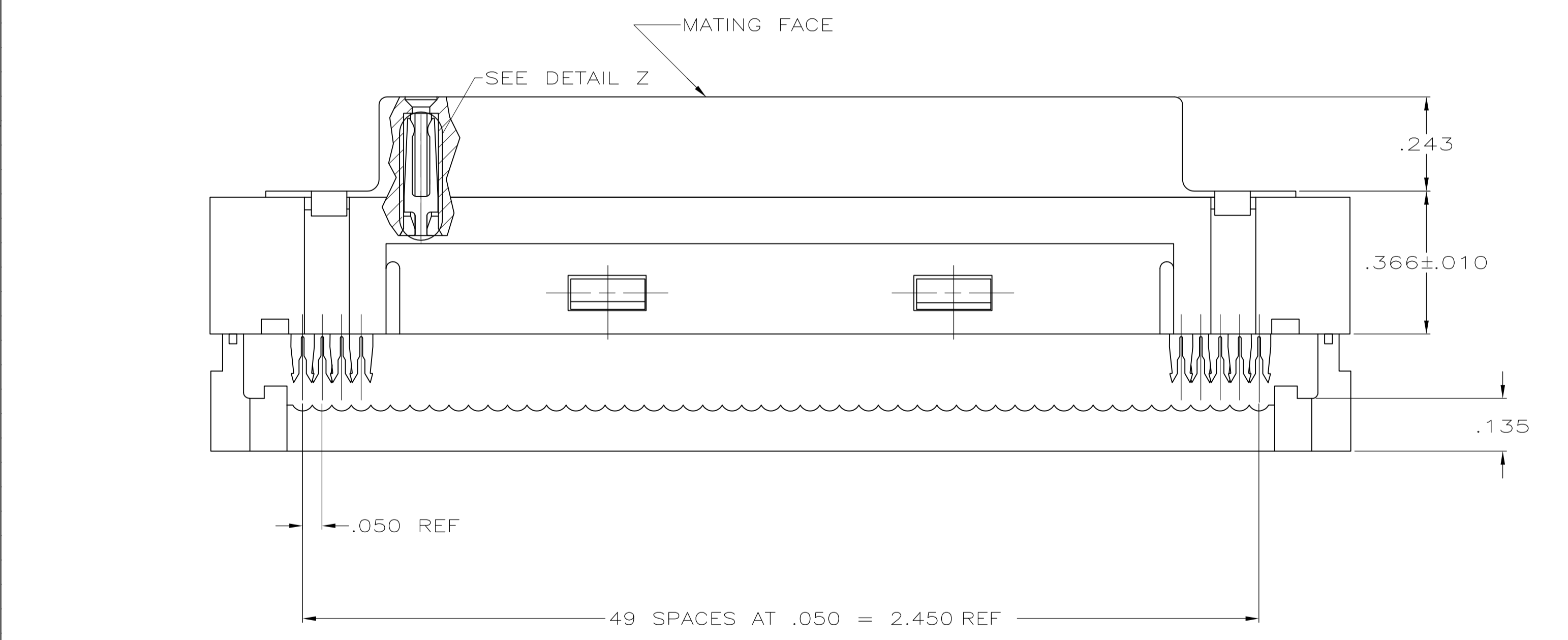


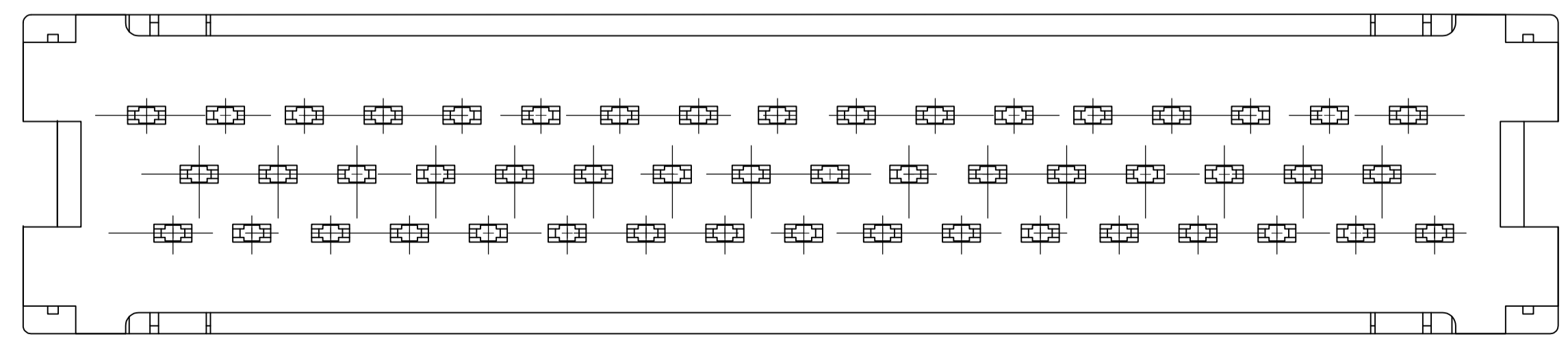
LOC		DIST		REVISIONS			
GP	00	REV	DATE	BY	CHK	APPV	
B1	REVISED PER ECO-11-004835		11MAR11	RK	HMR		



- CONNECTORS COMPLY WITH AMP SPEC 108-40012.
  - CONNECTOR DESIGNED FOR 28 AND 26 AWG STRANDED AND SOLID CONDUCTOR RIBBON CABLE ON .050  $\phi$ .
- △3 DIMENSION APPLIES TO TERMINATED CONNECTOR.
- △4 MOLDED PARTS: FLAME RETARDANT 94V-0 RATED THERMOPLASTIC; COLOR: BLACK.
- △5 SHELL: STEEL PER QQ-S-698.
- △6 CONTACTS: PH BRZ PER QQ-B-750.
- △7 GOLD PLATING PER MIL-G-45204, TIN PLATING PER MIL-T-10727, NICKEL PLATING PER QQ-N-290.
- △8 SHELL: BRIGHT TIN PLATED.
- △9 CONTACTS: PLATED .000030 GOLD IN LOCALIZED GOLD PLATE AREA, .000100 - .000200 MATTE TIN ON TERMINATION END, ALL OVER .000050 NICKEL ON ENTIRE CONTACT.
- △10 THE MAX SCREW PENETRATION INTO THE CONNECTOR = .312.
- △11 THREADED INSERTS: ZINC PLATED .000150-.000300 THICK, CLEAR CHROMATE COATED.



DETAIL Z  
SCALE 10:1  
ROTATED 180° CW



1658606-1  
PART NO

THIS DRAWING IS A CONTROLLED DOCUMENT.		DIN L BAUM 6/12/03	 TE Connectivity
DIMENSIONS: INCHES		CHK C ROHDE 6/12/03	
TOLERANCES UNLESS OTHERWISE SPECIFIED:		APPV M WALMSLEY 6/12/03	NAME
0 PLC ± -		PRODUCT SPEC	RECPT ASSY, HDF, FRONT METAL SHELL LEAD-FREE, AMP-LATCH
1 PLC ± -		APPLICATION SPEC	
2 PLC ± -		SIZE	A1
3 PLC ± .005		WEIGHT	000779
4 PLC ± -		SCALE	1658606
ANGLES ± -		RESTRICTED TO	
MATERIAL		CUSTOMER DRAWING	SCALE NTS SHEET 1 OF 1 REV B1

单击下面可查看定价，库存，交付和生命周期等信息

[>>TE Connectivity\(泰科\)](#)

[>>点击查看相关商品](#)