

THIS DRAWING IS UNPUBLISHED. RELEASED FOR PUBLICATION
 © COPYRIGHT - By - ALL RIGHTS RESERVED.

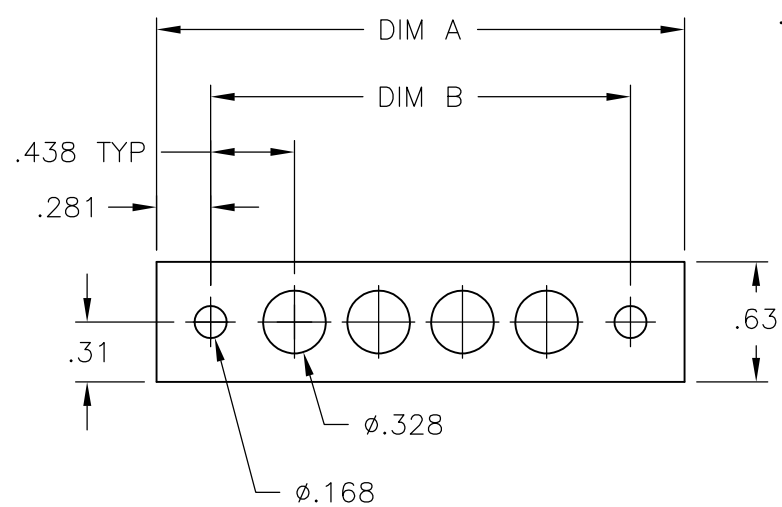
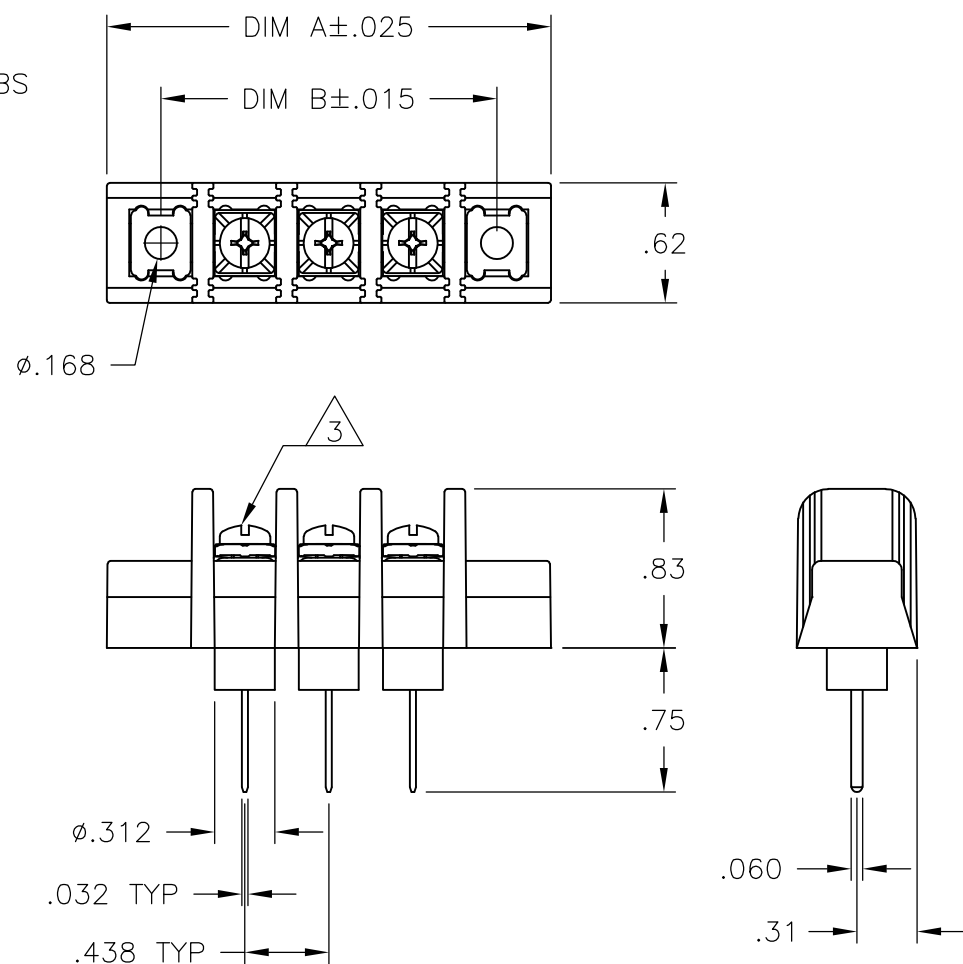
LOC	DIST	REVISIONS					
FT	0	P	LTR	DESCRIPTION	DATE	DWN	APVD
			A	REVISED PER ECO-11-023039	18FEB12	KH	MS

MECHANICAL:
 HOUSING: THERMOPLASTIC, UL94V-0, BLACK.
 TERMINALS: BRASS, BRIGHT TIN PLATE.
 SCREWS: 6-32, STEEL, PLATED .0002 MIN ZINC W/
 CLEAR CHROMATE COATING.

ELECTRICAL:
 MAXIMUM CURRENT: 20A
 OPERATING VOLTAGE: 600V
 WIRE RANGE: 12-22 AWG

ENVIRONMENTAL:
 OPERATING TEMP.: -60°C TO +105°C

- 1 SEE FIGURE.
- 2 PRELIMINARY PART NUMBER.
- 3 ALL SCREWS BOTTOMED, TORQUE 2 TO 4 IN-LBS



	DIM B	DIM A	NO. OF POS.	CATALOG NUMBER	PART NUMBER
2	11.375	11.937	25	SSB7TG250702	2-1986233-5
2	10.937	11.500	24	SSB7TG240702	2-1986233-4
2	10.500	11.062	23	SSB7TG230702	2-1986233-3
2	10.062	10.625	22	SSB7TG220702	2-1986233-2
2	9.625	10.187	21	SSB7TG210702	2-1986233-1
2	9.187	9.750	20	SSB7TG200702	2-1986233-0
2	8.750	9.312	19	SSB7TG190702	1-1986233-9
2	8.312	8.875	18	SSB7TG180702	1-1986233-8
2	7.875	8.437	17	SSB7TG170702	1-1986233-7
2	7.437	8.000	16	SSB7TG160702	1-1986233-6
2	7.000	7.562	15	SSB7TG150702	1-1986233-5
2	6.562	7.125	14	SSB7TG140702	1-1986233-4
2	6.125	6.687	13	SSB7TG130702	1-1986233-3
2	5.687	6.250	12	SSB7TG120702	1-1986233-2
2	5.250	5.812	11	SSB7TG110702	1-1986233-1
2	4.812	5.375	10	SSB7TG100702	1-1986233-0
2	4.375	4.937	9	SSB7TG090702	1986233-9
2	3.937	4.500	8	SSB7TG080702	1986233-8
2	3.500	4.062	7	SSB7TG071302	2-1986233-6
2	3.500	4.062	7	SSB7TG070702	1986233-7
2	3.062	3.625	6	SSB7TG060702	1986233-6
2	2.625	3.187	5	SSB7TG050702	1986233-5
2	2.187	2.750	4	SSB7TG040702	1986233-4
2	1.750	2.312	3	SSB7TG030702	1986233-3
2	1.312	1.875	2	SSB7TG020702	1986233-2
2	.875	1.437	1	SSB7TG010702	1986233-1

THIS DRAWING IS A CONTROLLED DOCUMENT.

DIMENSIONS: INCHES	TOLERANCES UNLESS OTHERWISE SPECIFIED:	DWN S SCHLGEL 8/17/07	TE Connectivity NAME SSB7TGXX0702						
	0 PLC ± -	CHK S YODER 8/17/07				SIZE	CAGE CODE	DRAWING NO	RESTRICTED TO
	1 PLC ± -	APVD S YODER 8/17/07				A3	00779	C-1986233	-
	2 PLC ± .02	PRODUCT SPEC				CUSTOMER DRAWING			
3 PLC ± .010	APPLICATION SPEC	SCALE NTS		SHEET 1 OF 2	REV A				
4 PLC ± -	ANGLES ± 1°	WEIGHT -							
MATERIAL -	FINISH -								

4

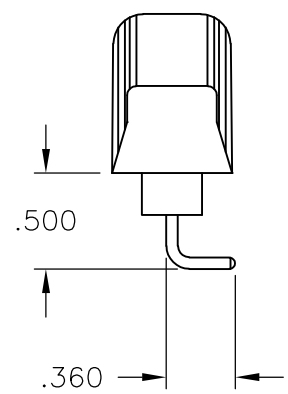
3

2


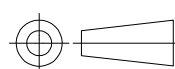
1

THIS DRAWING IS UNPUBLISHED. RELEASED FOR PUBLICATION - , - .
 © COPYRIGHT - By - ALL RIGHTS RESERVED.

LOC	DIST	REVISIONS			
P	LTR	DESCRIPTION	DATE	DWN	APVD
FT	0	-	SEE SHEET 1	-	-



2-1986233-6

THIS DRAWING IS A CONTROLLED DOCUMENT.		DWN S SCHLGEL	8/17/07	 TE Connectivity	
DIMENSIONS: INCHES		CHK S YODER	8/17/07		
		APVD S YODER	8/17/07		
TOLERANCES UNLESS OTHERWISE SPECIFIED:		PRODUCT SPEC		NAME	
0 PLC ± -		-		SSB7TGXX0702	
1 PLC ± -		APPLICATION SPEC		RESTRICTED TO	
2 PLC ± .02		-		SIZE	CAGE CODE
3 PLC ± .010		-		A3	00779
4 PLC ± -		WEIGHT		DRAWING NO	REV
ANGLES ± 1°		-		C-1986233	A
MATERIAL	FINISH	CUSTOMER DRAWING		SCALE	SHEET
-	-	-		NTS	2 OF 2

单击下面可查看定价，库存，交付和生命周期等信息

[>>TE Connectivity\(泰科\)](#)