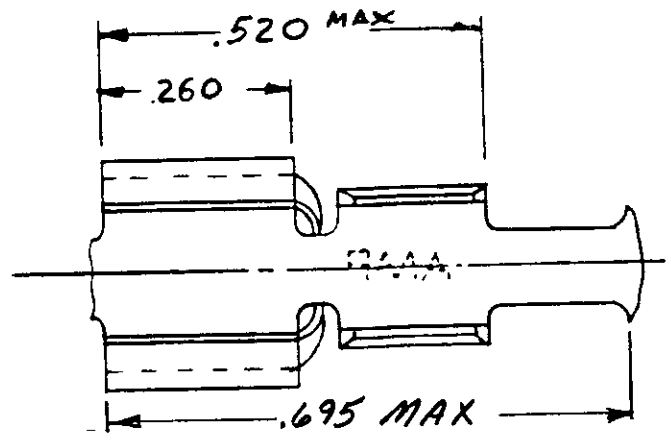


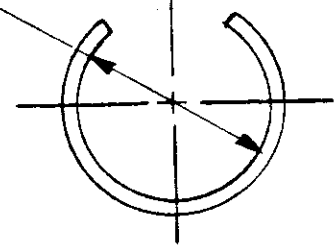
DRAWING MADE IN THIRD ANGLE PROJECTION

© COPYRIGHT 1977 BY AMP INCORPORATED, HARRISBURG, PA. ALL INTERNATIONAL RIGHTS RESERVED. NOT TO BE REPRODUCED OR PUBLISHED WITHOUT WRITTEN PERMISSION OF AMP INCORPORATED. PATENTS PENDING.

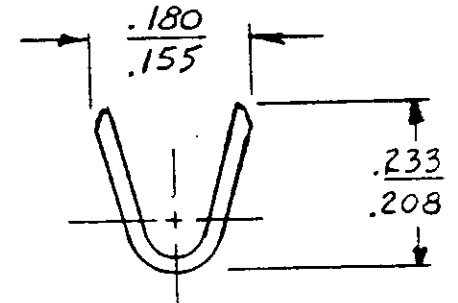
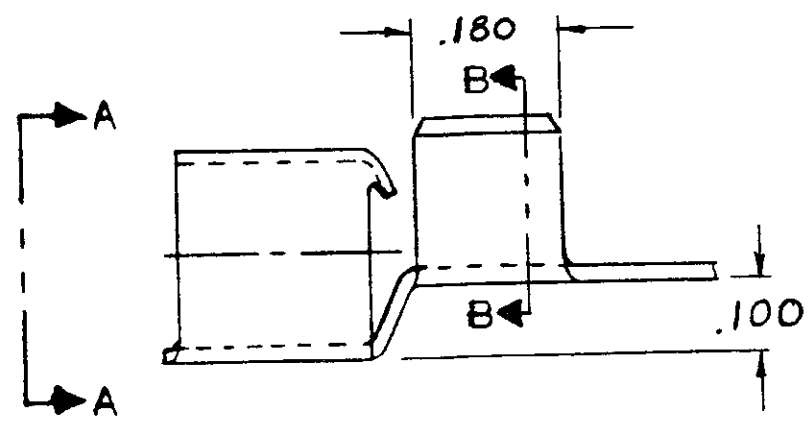
REVISIONS					
LTR	DESCRIPTION	DATE	APPROVED	P/F	
C	DWG. RELEASED	M-4068	1-19-77	EJW/d.H.	✓
A	RELEASED FOR PRODUCTION	M-4197	3-23-77	J/A/d.H.	✓
B	.260 DIM. WAS .250	M-4687	2-22-78	CM/d.H.	✓
B ₁	RESTORATION		10-8-85	KS/RM	
B ₂	CHG DWG LOC CODE		4-28-87	CM/RS	
C	REV PER 0710-0427-95		26/SEP/95	PMF/	



FITS ON $\frac{.253}{.247}$ DIA. PIN



VIEW A-A



SECTION B-B

CONTINUOUS STRIP ON REELS

12-10	62587-1
WIRE SIZE	PART NO

UNLESS OTHERWISE SPECIFIED DIMENSIONS ARE IN INCHES. TOLERANCES ON:
 DECIMALS ± .015
 ANGLES ± 1'00"

MATERIAL
 .020
 BRASS

FINISH
 TIN

CONTRACT NO	
DR	E.J. Weist 1-14-77
CHK	D.S. Heide 1/18/77
APPD	
APPD	E.J. Weist 1/18/77
DSGN APPD	
OTHER APPD	



NAME PIN RECEPTACLE		
SIZE A	CODE IDENT NO 00779	DRAWING NO 62587
SCALE 1:1	SHEET	

单击下面可查看定价，库存，交付和生命周期等信息

[>>TE Connectivity\(泰科\)](#)