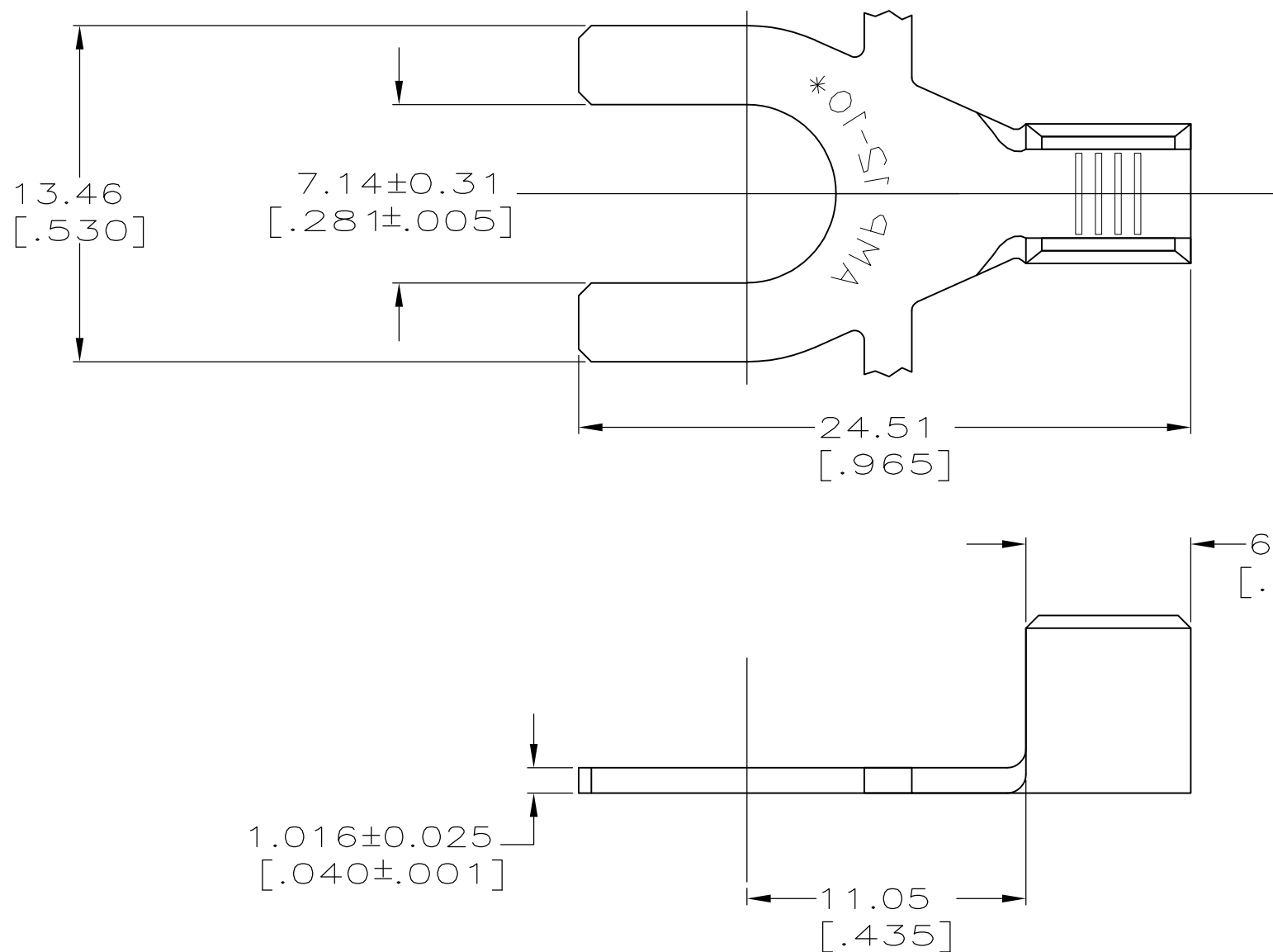
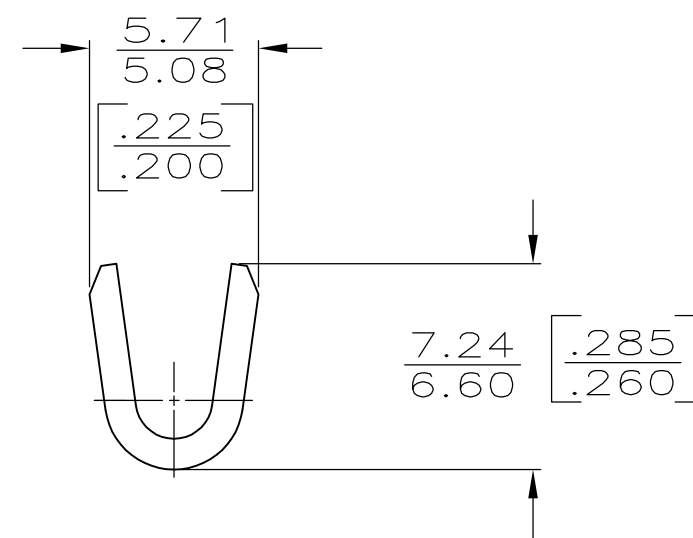


THIS DRAWING IS UNPUBLISHED. RELEASED FOR PUBLICATION
 © COPYRIGHT BY TYCO ELECTRONICS CORPORATION. ALL INTERNATIONAL RIGHTS RESERVED.

LOC	DIST	REVISIONS					
AF	50	P	LTR	DESCRIPTION	DATE	DWN	APVD
		G		REVISED PER ECR-10-006099	07JUL10	HMR	PD



1. CONTINUOUS STRIP ON REELS



3.0mm ² - 6.0mm ² [12-10] AWG	60313-2
WIRE RANGE	PART NO

F	4.57	3.78 [149]	6.0mm ² [10]	THIS DRAWING IS A CONTROLLED DOCUMENT.	DWN	P FORTNEY	12/1/89	Tyco Electronics Corporation Harrisburg, PA 17105-3608					
	[.180]	3.40 [134]	3.0mm ² [12]		CHK	MS FEHER	12/1/89						
TYPE	WIDTH	±0.051 [±.002] HEIGHT	WIRE	DIMENSIONS: mm [INCHES]	TOLERANCES UNLESS OTHERWISE SPECIFIED: 0 PLC ± - 1 PLC ± - 2 PLC ± - 3 PLC ± 0.38 [015] 4 PLC ± - ANGLES ± -	APVD	G YETTER	12/1/89	NAME	SPADE			
						MATERIAL	#1 HARD BRASS	FINISH	TIN	PRODUCT SPEC	-	APPLICATION SPEC	-
WIRE BARREL CRIMP						SIZE	A3	CAGE CODE	00779	DRAWING NO	C-60313	RESTRICTED TO	-
CUSTOMER DRAWING						SCALE	4:1	SHEET	1 OF 1	REV	G		

单击下面可查看定价，库存，交付和生命周期等信息

[>>TE Connectivity\(泰科\)](#)