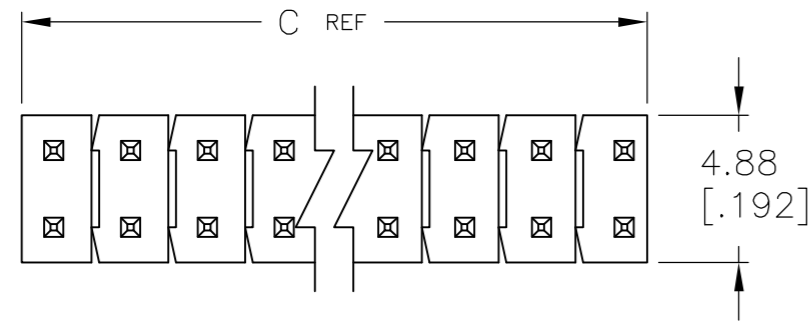
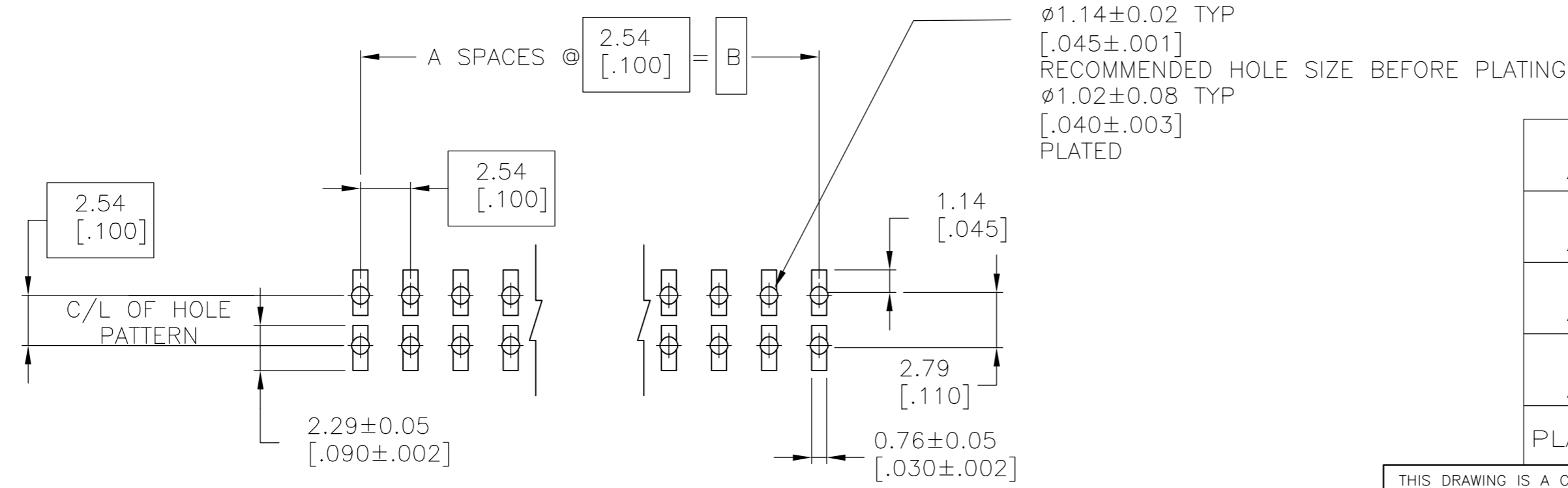
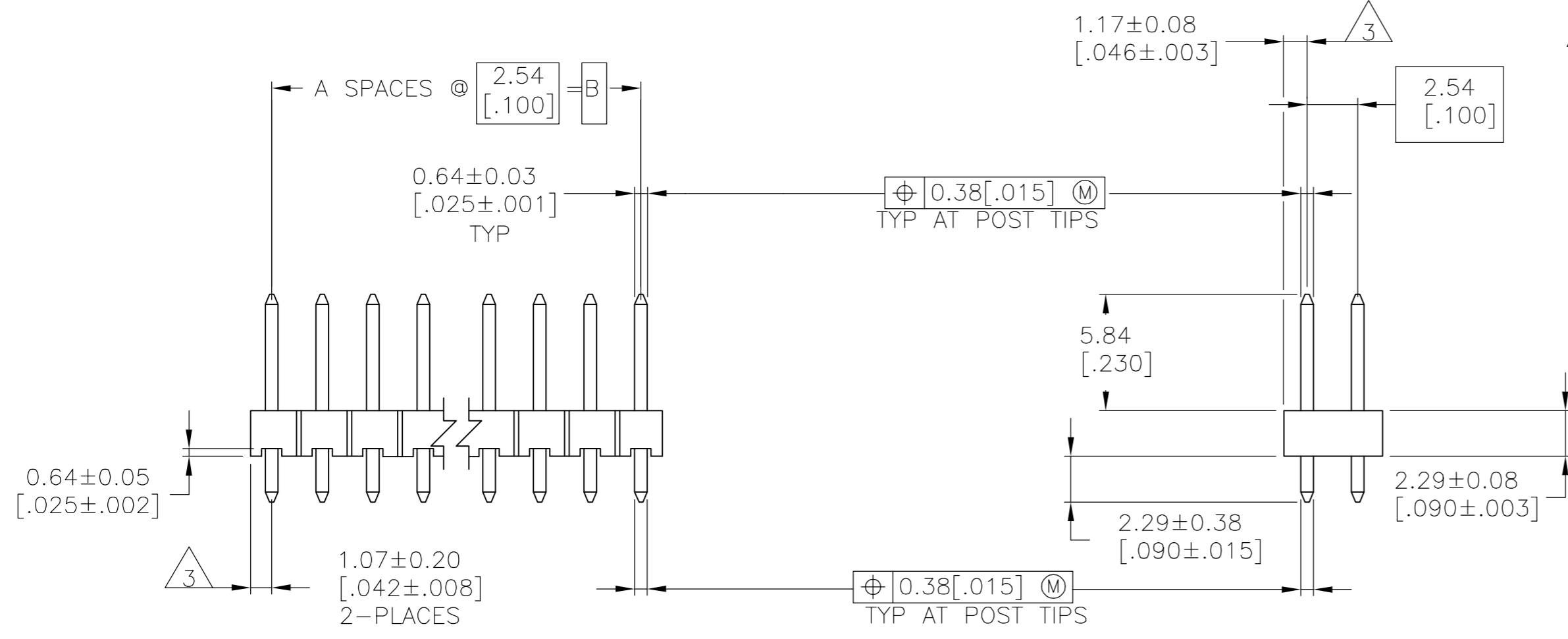


THIS DRAWING IS UNPUBLISHED. RELEASED FOR PUBLICATION  
 © COPYRIGHT BY TYCO ELECTRONICS CORPORATION. ALL RIGHTS RESERVED.

LOC	DIST	REVISIONS					
AD	00	P	LTR	DESCRIPTION	DATE	DWN	APVD
		B		EC 0G3C 0169 05	21APR05	BSV	JLG



1. ASSEMBLY MAY BE BROKEN TO THE DESIRED NUMBER OF POSITIONS
2. TRUE POSITION TOLERANCE OF THE POST TIPS APPLIES WHEN THE HEADER IS HELD FLAT AGAINST THE PRINTED CIRCUIT BOARD
3. THE NOTED DIMENSIONS APPLY AT THE INTERSECTION OF THE POST AND HOUSING
4. POST PLATING: 0.00254-0.00508[.000100-.000200] MATTE TIN-LEAD OVER 0.00127[.000050] NICKEL ENTIRE POST.
5. HOUSING MATERIAL: LIQUID CRYSTAL POLYMER. COLOR: BLACK.
6. POST MATERIAL: PHOSPHOR BRONZE.
7. PART PACKAGED IN TUBES.
8. POST PLATING: 0.00254-0.00508[.000100-.000200] MATTE TIN OVER 0.00127[.000050] NICKEL ENTIRE POST.



RECOMMENDED PC BOARD MOUNTING DIMENSIONS FOR 1.60 [.063] THICK PC BOARD AND 0.30[.012] STENCIL THICK.

8	12.29 [.484]	10.16 [.400]	4	10	5-147255-2
8	7.21 [.284]	5.08 [.200]	2	6	5-147255-1
4	12.29 [.484]	10.16 [.400]	4	10	147255-2
4	7.21 [.284]	5.08 [.200]	2	6	147255-1
PLATING	C	B	A	NO. OF POSITIONS	PART NUMBER

THIS DRAWING IS A CONTROLLED DOCUMENT.

DIMENSIONS: mm [INCHES]	TOLERANCES UNLESS OTHERWISE SPECIFIED:	DWN B. HAYMAKER 13APR99	Tyco Electronics Corporation Harrisburg, Pa 17105-3608
0 PLC ± -	1 PLC ± -	CHK J. GESFORD 13APR99	
2 PLC ± -	3 PLC ± 0.13[.005]	APVD J. GESFORD 13APR99	NAME
4 PLC ± -	ANGLES ± -	PRODUCT SPEC	HEADER ASSEMBLY, HIGH TEMPERATURE, DOUBLE ROW, BREAKAWAY, VERTICAL, MOD II, AMPMODU
MATERIAL	FINISH SEE TABLE	APPLICATION SPEC	SIZE CAGE CODE DRAWING NO RESTRICTED TO
5 6		WEIGHT	A2 00779 C=147255
		CUSTOMER DRAWING	SCALE 4:1 SHEET 1 OF 1 REV B

单击下面可查看定价，库存，交付和生命周期等信息

[>>TE Connectivity\(泰科\)](#)