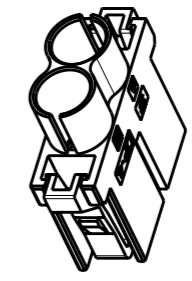
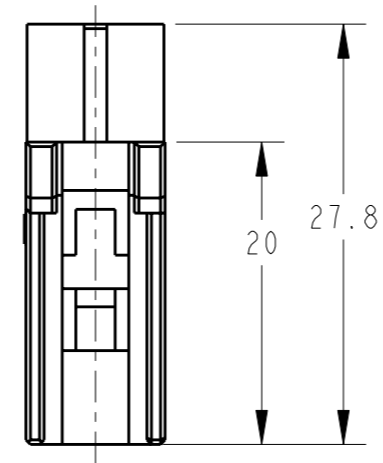


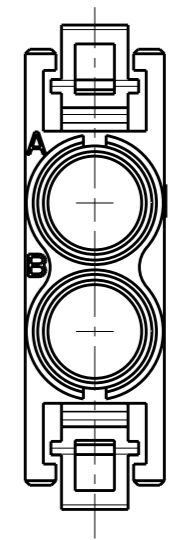
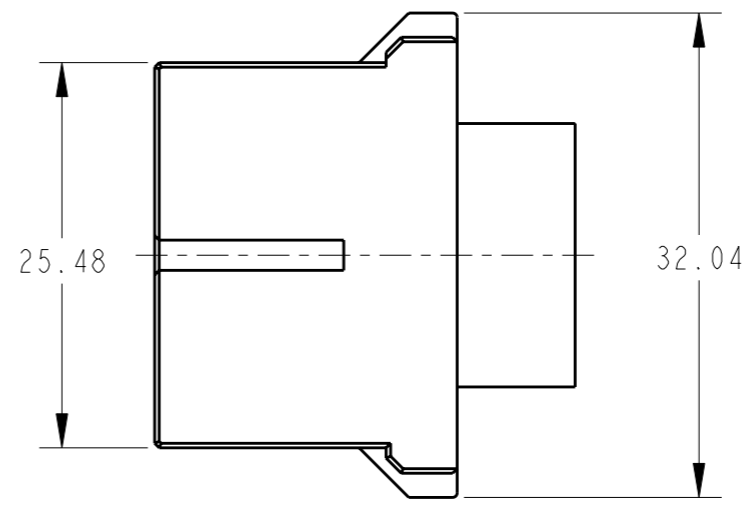
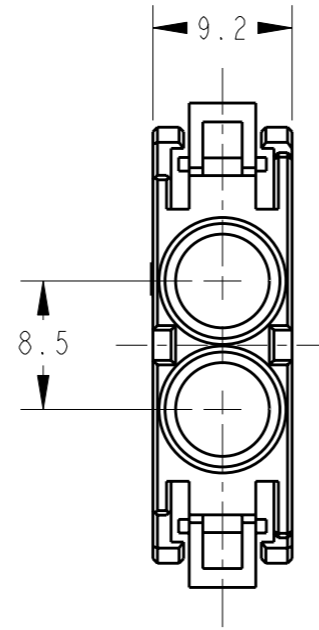
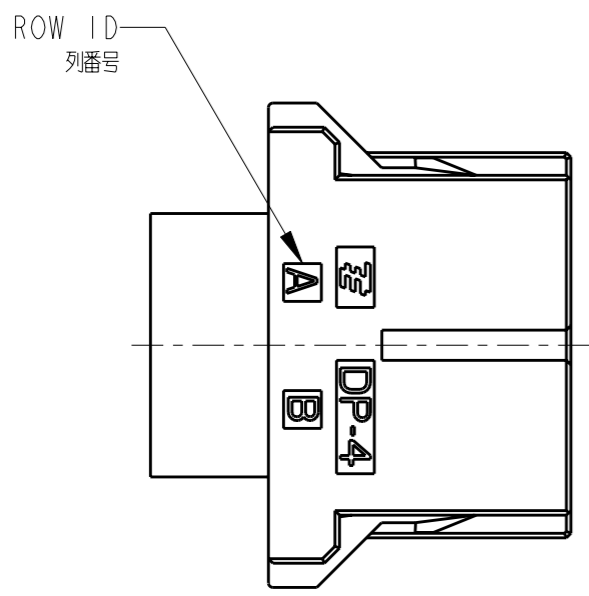
THIS DRAWING IS UNPUBLISHED. RELEASED FOR PUBLICATION 20
 © COPYRIGHT 20 BY TYCO ELECTRONICS CORPORATION. ALL RIGHTS RESERVED.

| LOC | DIST | REVISIONS | | | |
|-----|------|-------------|---------------------------|-----------|--------|
| P | LTR | DESCRIPTION | DATE | DWN | APVD |
| J | - | B | REVISED PER ECR-10-013235 | 09JUL2010 | HMR TM |

AS SHOWN:1903105-1



スケール 1:1



注記

1. 材料:ハウジング:ガラス入り熱可塑性(94V-0)、色:黒
2. 嵌合コンタクト:オスコンタクト:P/No:1903100-1
:メスコンタクト:P/No:1903289-1
3. 嵌合ハウジング:キャップハウジング2P:P/No:1903305-1
:キャップハウジング8P:P/No:1903106-1

NOTE

1. MATERIAL:HOUSING:GLASS FILED THERMO PLASTIC POLYESTER(94V-0)
COLOR:BLACK
2. MATE CONTACT:MALE CONTACT P/No:1903100-1
:FEMALE CONTACT P/No:1903289-1
3. MATE HSG:CAP HSG 2P:P/No:1903305-1
:CAP HSG 8P:P/No:1903106-1

| | | | | |
|--|--|---------------------------------|--|--------------------|
| THIS DRAWING IS A CONTROLLED DOCUMENT FOR TYCO ELECTRONICS CORPORATION IT IS SUBJECT TO CHANGE AND THE CONTROLLING ENGINEERING ORGANIZATION SHOULD BE CONTACTED FOR THE LATEST REVISION. | | DWN T. Sakamoto 27OCT2006 | Tyco Electronics AMP K.K. Kawasaki, Japan | |
| DIMENSIONS: mm | TOLERANCES UNLESS OTHERWISE SPECIFIED: 0 PLC ± ±0.4 1 PLC ± ±1° 2 PLC ± ±1° 3 PLC ± ± 4 PLC ± ± ANGLES ± ± | CHK D. Mitsugi 27OCT2006 | NAME | |
| | | APVD D. Mitsugi 27OCT2006 | PLUG HSG 2P PNEUMATIC CONNECTOR | |
| MATERIAL - | FINISH - | PRODUCT SPEC 108-78406 | SIZE A3 | CAGE CODE 00779 |
| | | APPLICATION SPEC - | DRAWING NO C-1903105 | RESTRICTED TO - |
| CUSTOMER DRAWING | | WEIGHT - | SCALE 2:1 | SHEET 1 |
| | | | OF 1 | REV B |

单击下面可查看定价，库存，交付和生命周期等信息

[>>TE Connectivity\(泰科\)](#)