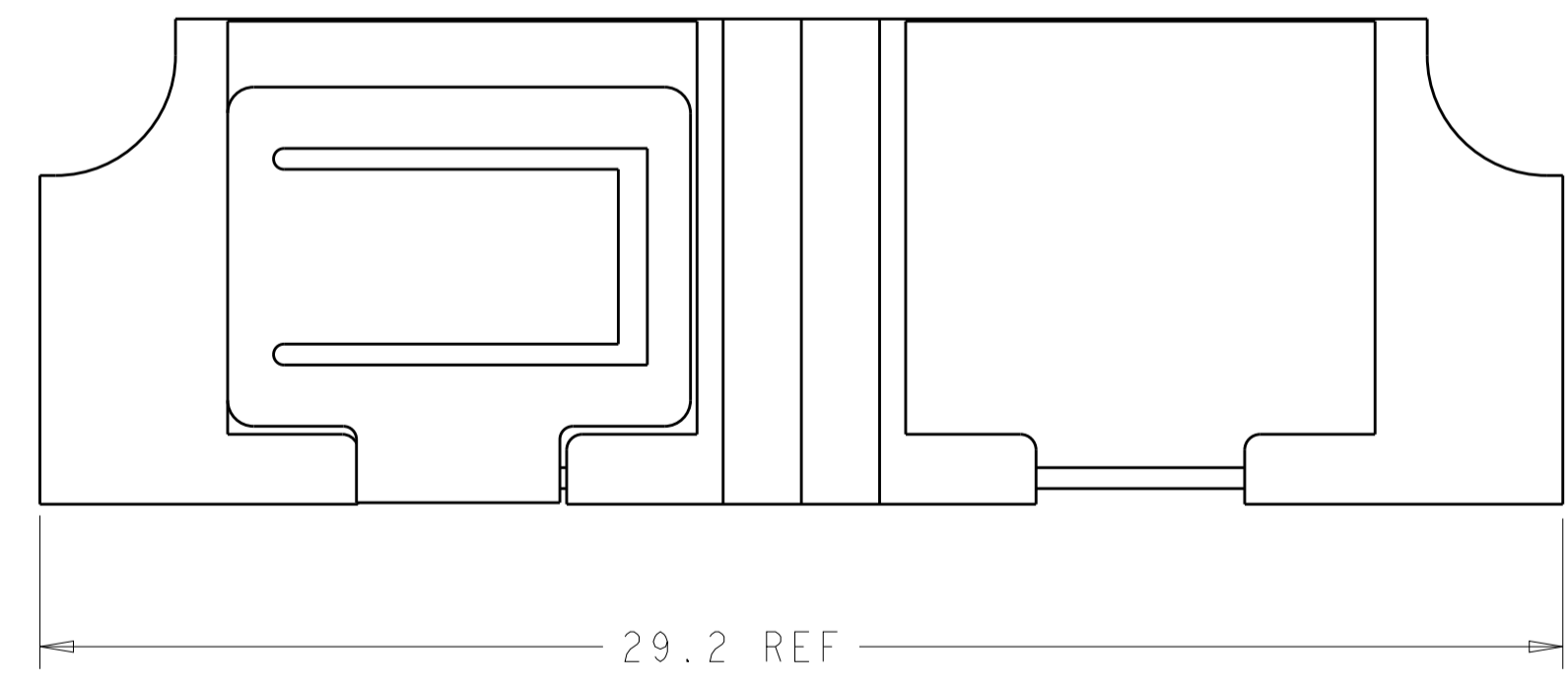
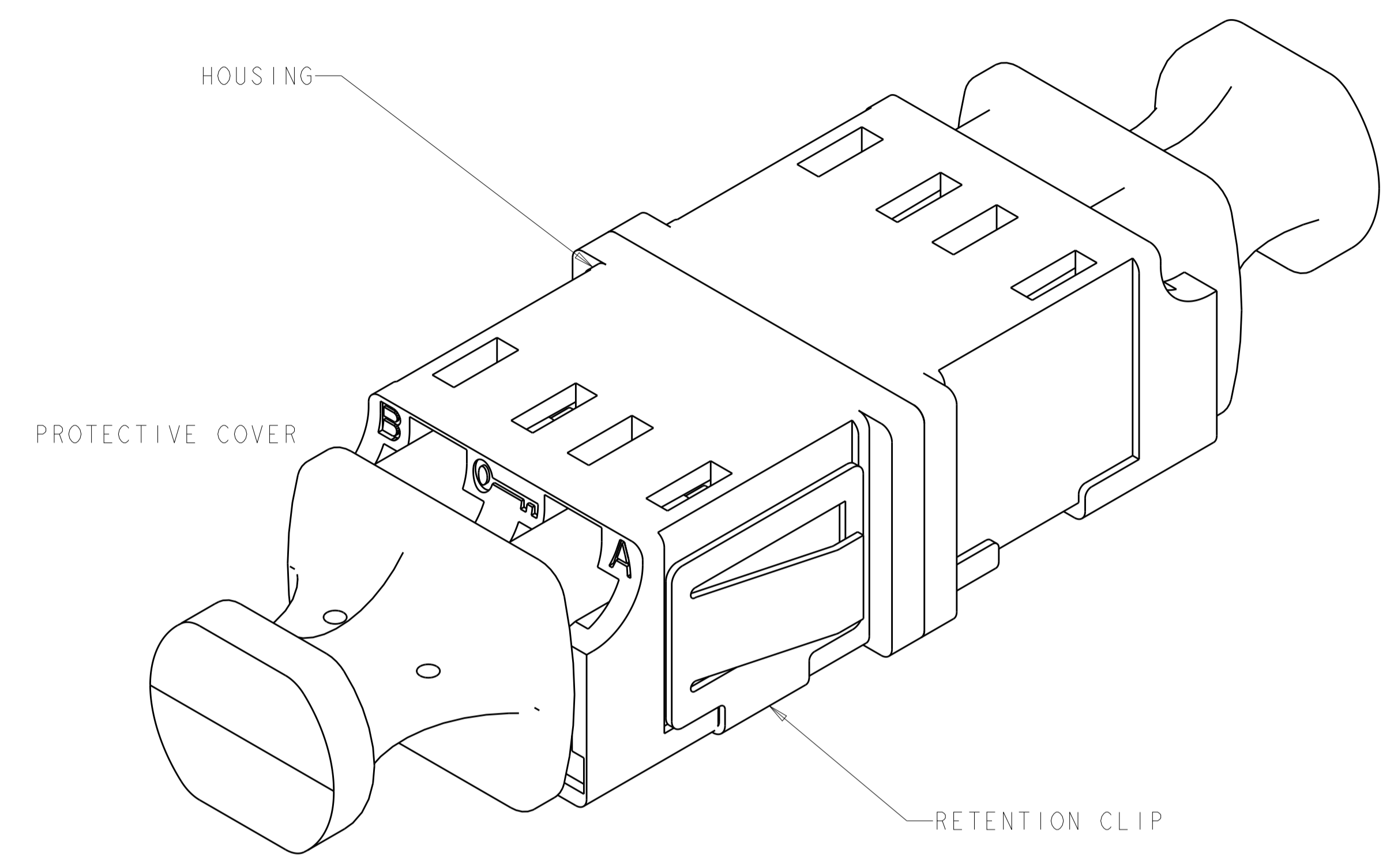
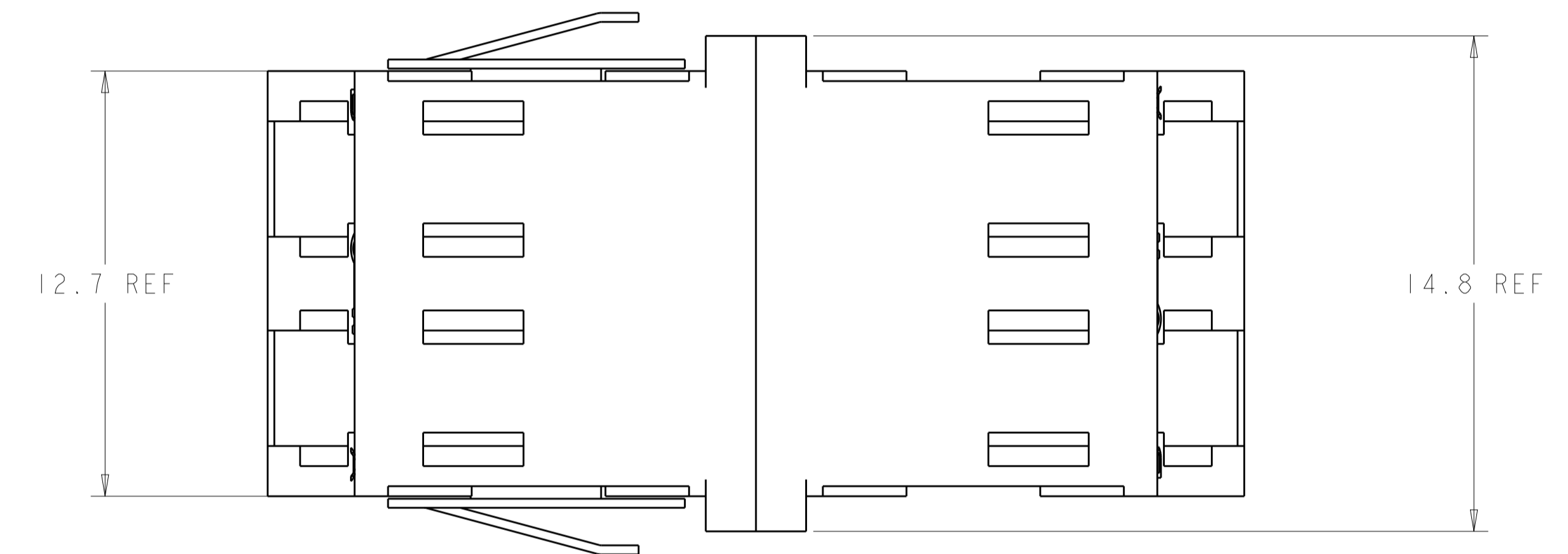
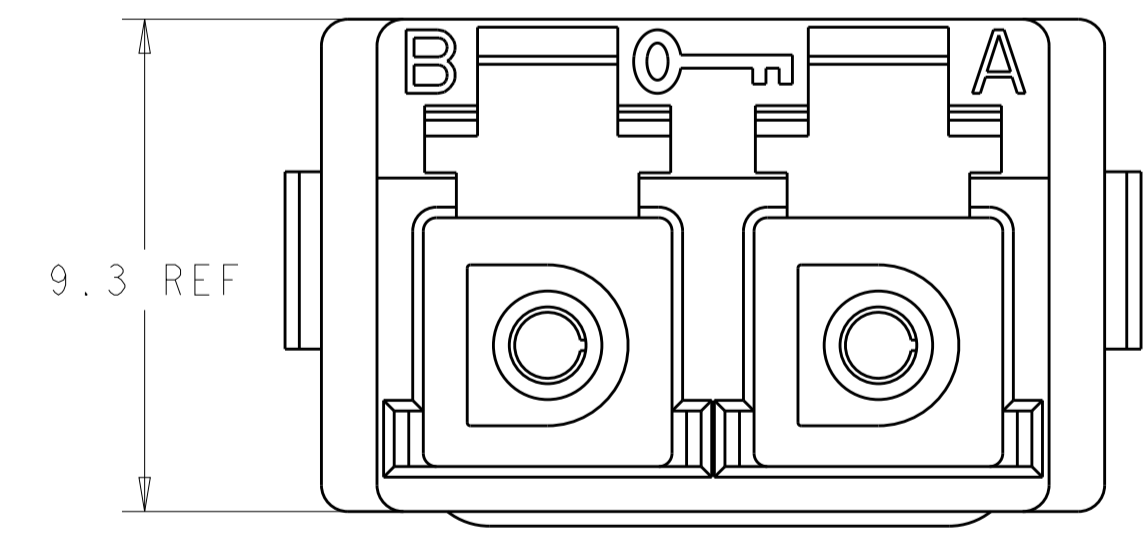


LOC	DIST	REVISIONS			
P	LTN	DESCRIPTION	DATE	DWN	APVD
CE	00				
B1		REVISED PER ECO-11-005027	16MAY2011	RK	HMR
B2		REV; ECO-15-000119	06JAN2015	GG	TE

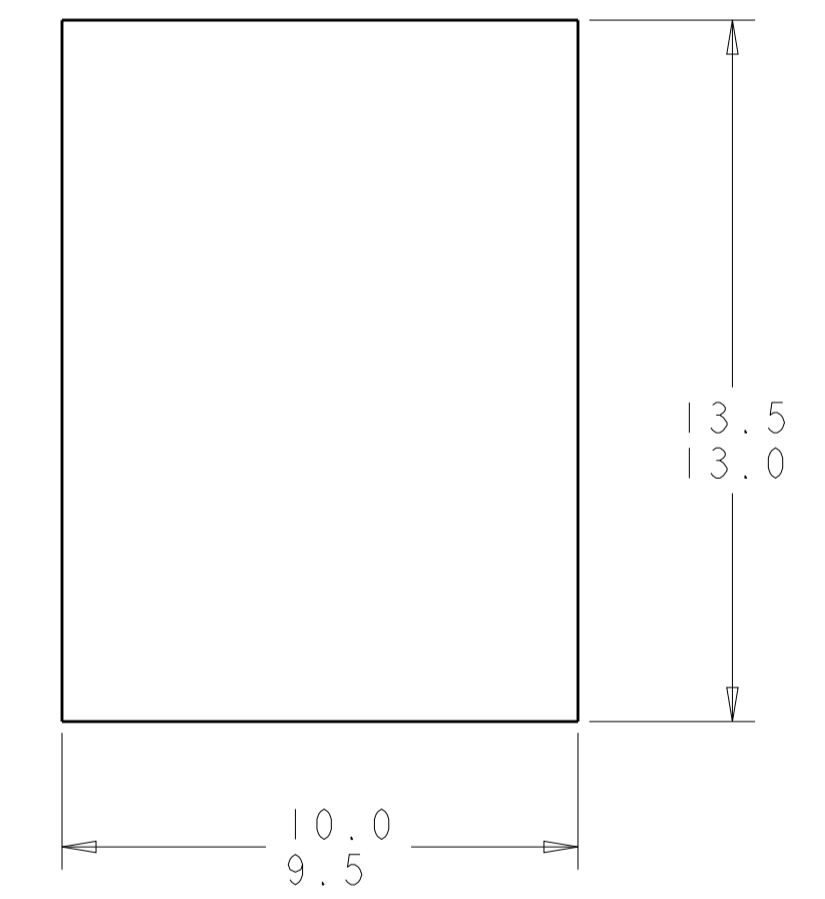
△ MATERIAL:
 HOUSINGS: THERMOPLASTIC, PPE-PS*
 ALIGNMENT SLEEVES: CERAMIC
 PROTECTIVE COVERS: THERMOPLASTIC ELASTOMER*
 RETENTION CLIP: SST
 * UL 94 V-0 RATED AT QUALIFYING THICKNESS



PROTECTIVE COVERS
 NOT SHOWN



(RED -1 SHOWN)



RECOMMENDED PANEL CUTOUT
 MAX PANEL THK. 1.7

SLATE	I-1828074-0
ORANGE	1828074-9
VIOLET	1828074-8
BROWN	1828074-7
AQUA	1828074-6
ROSE	1828074-5
BLUE	1828074-4
GREEN	1828074-3
YELLOW	1828074-2
RED	1828074-1
HOUSING COLOR	PART NO.

THIS DRAWING IS A CONTROLLED DOCUMENT.

DIMENSIONS: mm

TOLERANCES UNLESS OTHERWISE SPECIFIED:

0 PLC	±
1 PLC	±
2 PLC	±
3 PLC	±
4 PLC	±
ANGLES	±

MATERIAL: △

FINISH: -

THIS DRAWING IS A CONTROLLED DOCUMENT.

DWN: E. HOPKINS 04AUG2005

CHK: D. ERDMAN 04AUG2005

APVD: D. BAECHELLE 04AUG2005

PRODUCT SPEC

APPLICATION SPEC

WEIGHT

Customer Drawing

NAME: LC SECURE ADAPTER ASSEMBLY, FLANGELESS

SIZE: A1

CAGE CODE: 100779

DRAWING NO: 1828074

RESTRICTED TO

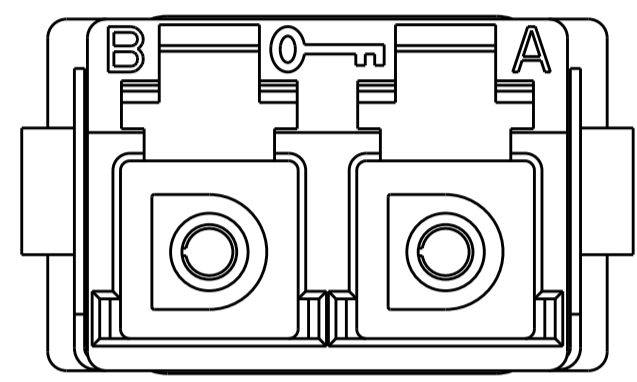
SCALE: 7:1

SHEET: 1 OF 2

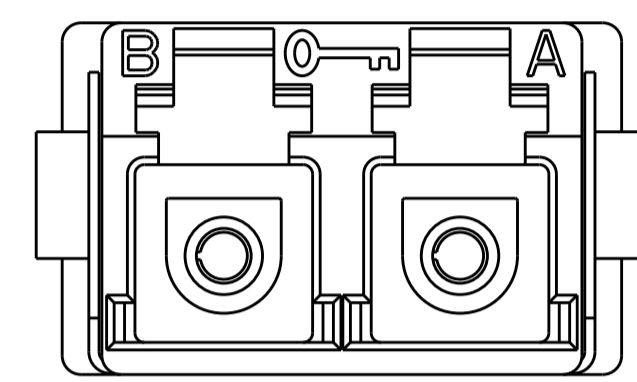
REV: B2

TE Connectivity

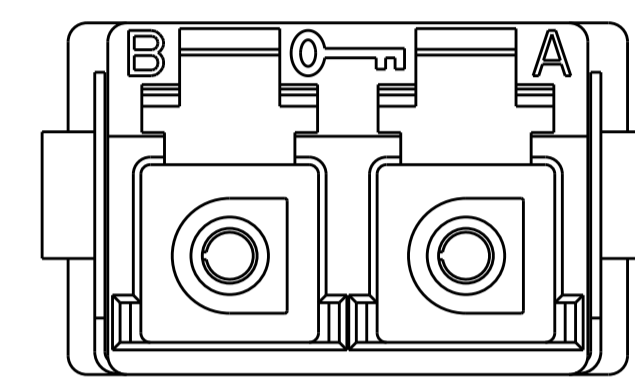
LOC	DIST	REVISIONS					
CE	00	P.	LTH	DESCRIPTION	DATE	DNW	APVD
		-		SEE SHEET 1	-	-	-



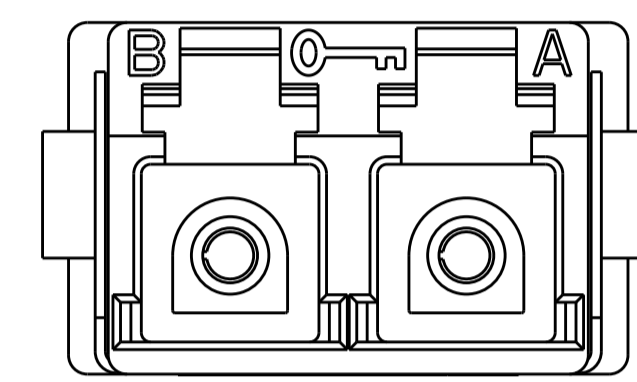
1828074-1
RED



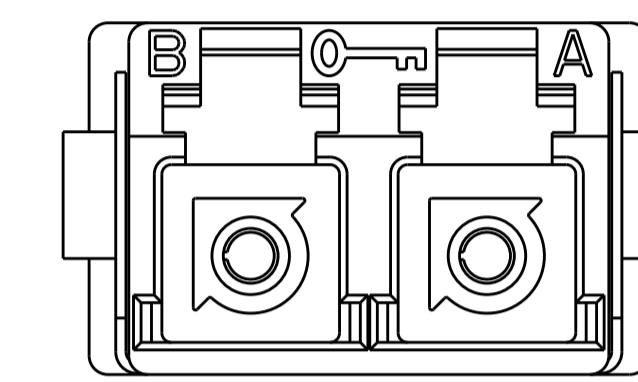
1828074-2
YELLOW



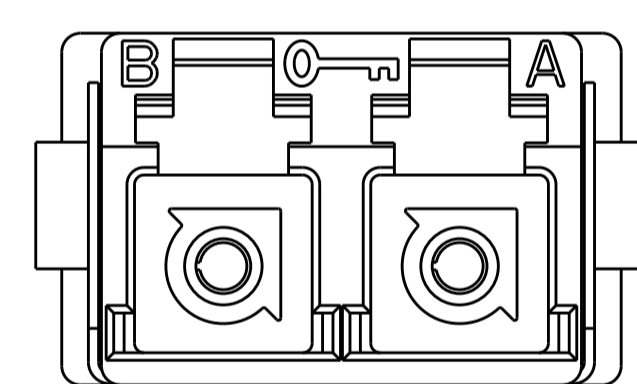
1828074-3
GREEN



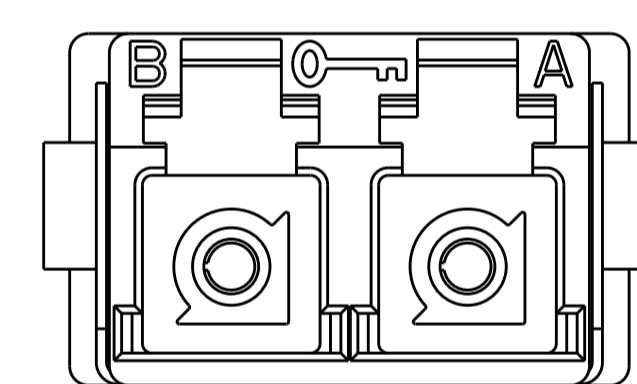
1828074-4
BLUE



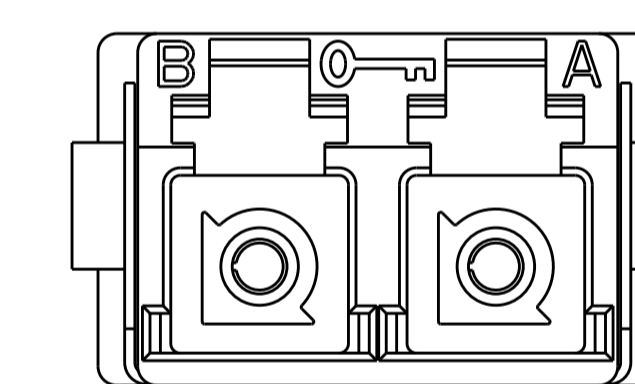
1828074-5
ROSE



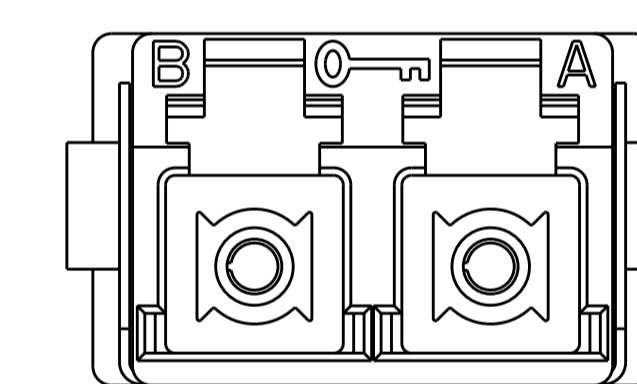
1828074-6
AQUA



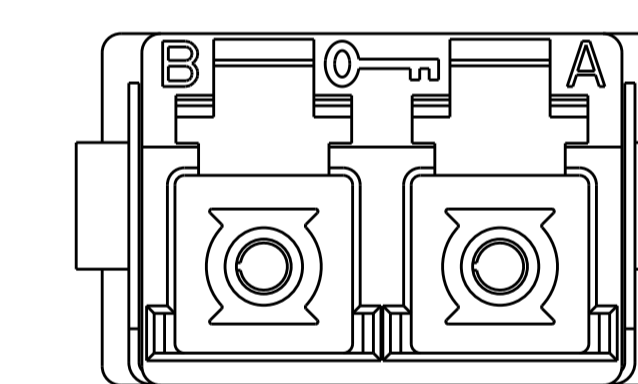
1828074-7
BROWN



1828074-8
VIOLET



1828074-9
ORANGE



1-1828074-0
SLATE

THIS DRAWING IS A CONTROLLED DOCUMENT.		DNW E. HOPKINS 04AUG2005	
DIMENSIONS:		CHK D. ERDMAN 04AUG2005	
TOLERANCES UNLESS OTHERWISE SPECIFIED:		APVD D. BAECHTLE 04AUG2005	
mm		PRODUCT SPEC	
0 PLC	±	APPLICATION SPEC	NAME LC SECURE ADAPTER ASSEMBLY, FLANGELESS
1 PLC	±	RESTRICTED TO	SIZE CAGE CODE DRAWING NO
2 PLC	±		A100779C=1828074
3 PLC	±		SCALE 5:1 SHEET 2 OF 2 REV B2
4 PLC	±		
ANGLES	±		
MATERIAL	FINISH	WEIGHT	Customer Drawing

单击下面可查看定价，库存，交付和生命周期等信息

[>>TE Connectivity\(泰科\)](#)