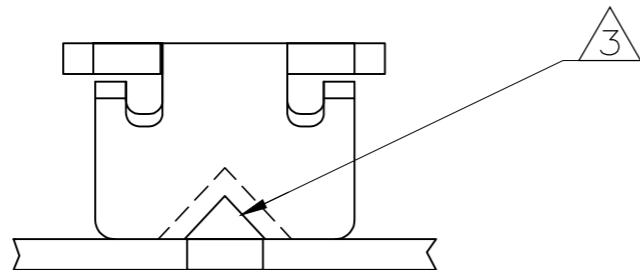
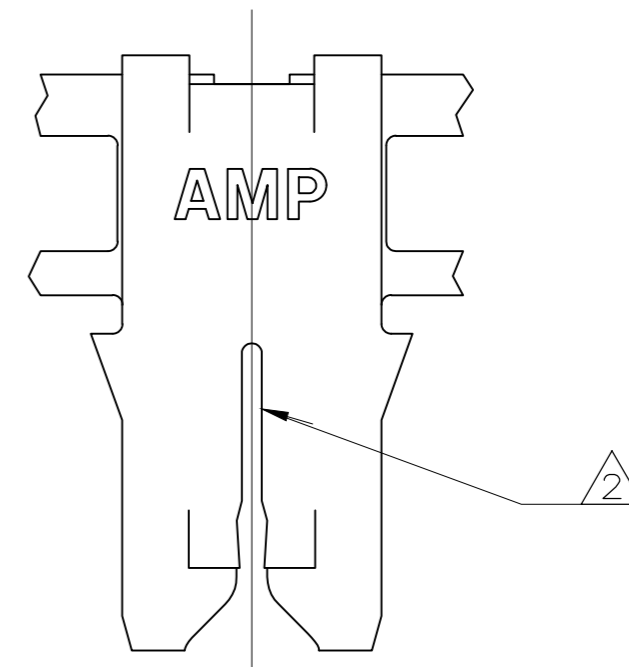
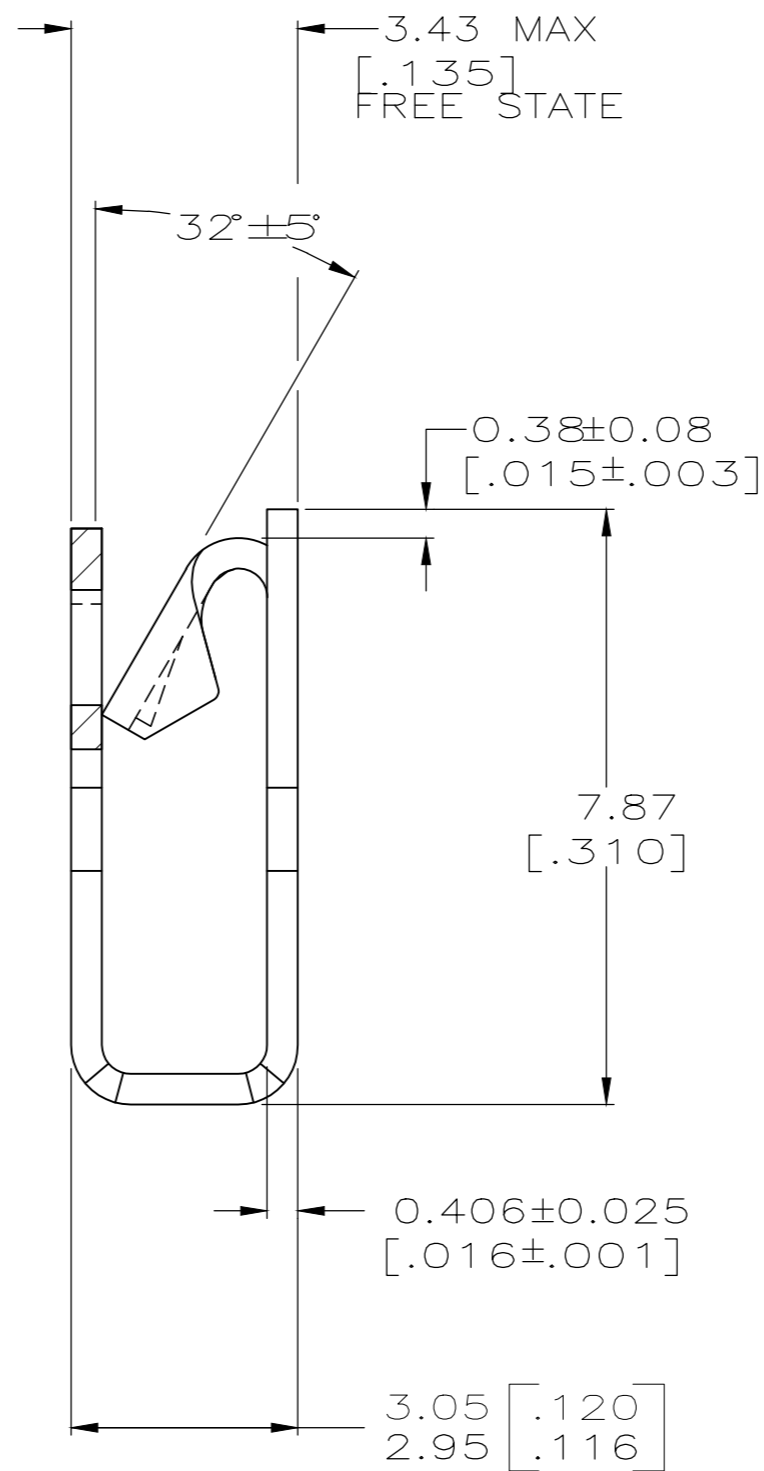
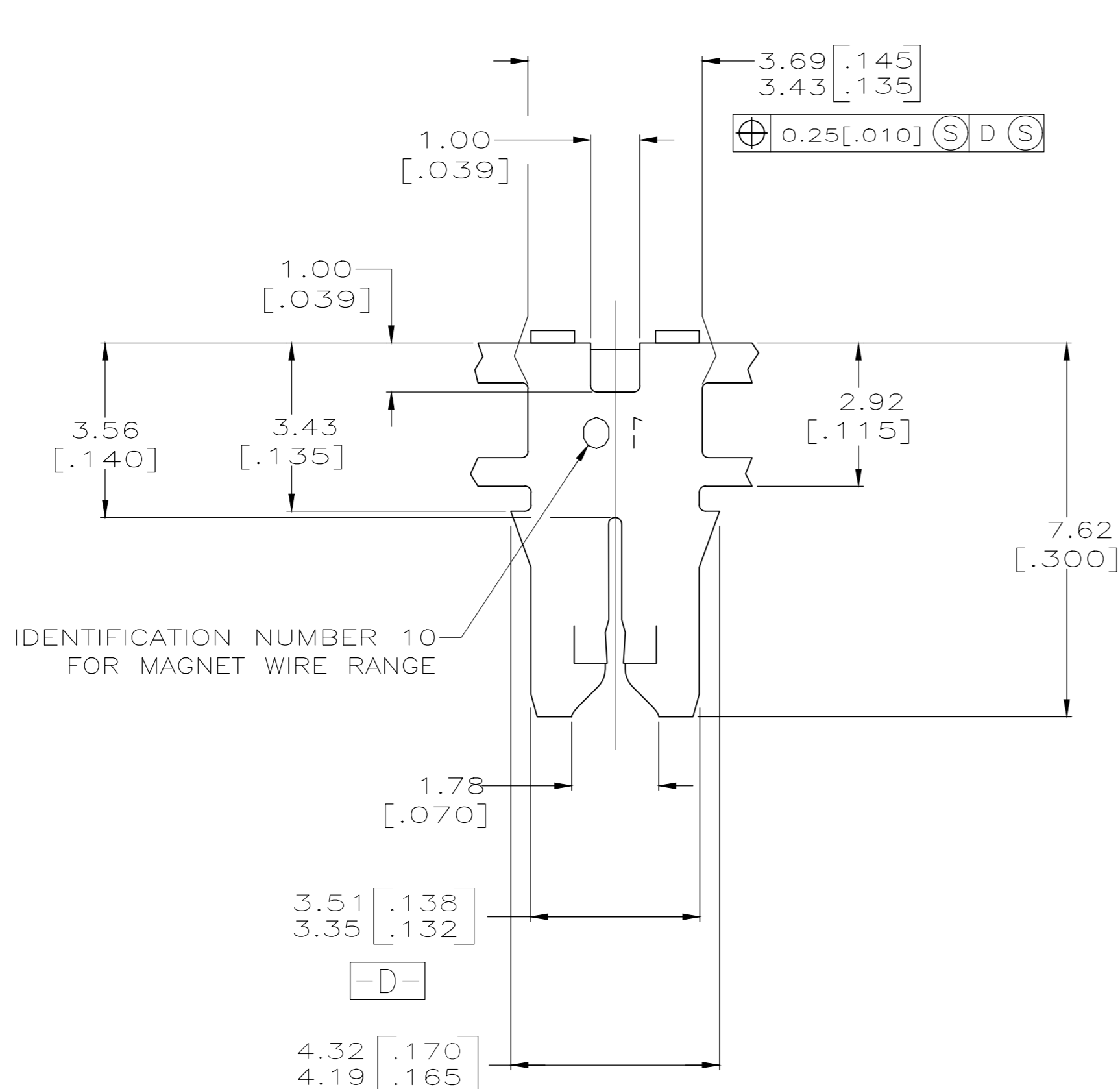


THIS DRAWING IS UNPUBLISHED. RELEASED FOR PUBLICATION .19  
 BY AMP INCORPORATED. ALL RIGHTS RESERVED.

LOC		DIST		REVISIONS			
P	LTR	DESCRIPTION		DATE	DWN	APVD	
AF	50	B1	REVISED PER ECR-18-006427	15MAY2018	BW	SV	



- 1 CONTINUOUS STRIP ON REELS WITH TERMINALS LOCATED ON 5.59±0.08 [.220±.003] CENTERS.
- 2 SLOT ACCEPTS 0.36-0.57mm [#27-#23] AWG COPPER MAGNET WIRE. A SINGLE WIRE ONLY.  
ALUMINIUM RANGE IS 0.51-0.64mm [#24-#22] AWG ALUMINIUM WIRE RANGE IS APPLICABLE FOR POST TIN PLATED PART NOS ONLY.
- 3 POKE-IN ACCEPTS A 0.50-0.90mm² [#20-#18] AWG SOLID OR FUSED STRANDED LEAD WIRE.



1217182

WITHOUT PAPER	1217182-1
REELING	PART NUMBER

THIS DRAWING IS A CONTROLLED DOCUMENT.		DWN	26JUL1999	MICHAEL S. FEHER
DIMENSIONS: mm [INCHES]		CHK	26JUL1999	PETE DESANTIS
TOLERANCES UNLESS OTHERWISE SPECIFIED:		APVD	26JUL1999	KURT A. RANDOLPH
0 PLC	±-	NAME		
1 PLC	±-	PRODUCT SPEC		
2 PLC	±0.25 [.010]	108-2012		
3 PLC	±-	APPLICATION SPEC		
4 PLC	±-	114-2046		
ANGLES	±-	WEIGHT		
MATERIAL	4M BRASS	-		
FINISH	0.002032 [.000080]	CUSTOMER DRAWING		
MIN TIN PLATE		SCALE 10:1 SHEET 1 OF 1 REV B1		

<b>STE</b> TE CONNECTIVITY		RESTRICTED TO	
		-	
TERMINAL, POKE-IN, 300 SERIES MAG-MATE™			
SIZE	CAGE CODE	DRAWING NO	RESTRICTED TO
A2	00779	1217182	-

单击下面可查看定价，库存，交付和生命周期等信息

[>>TE Connectivity\(泰科\)](#)