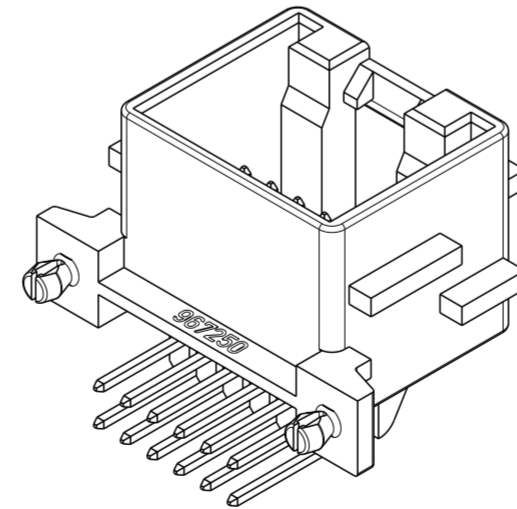
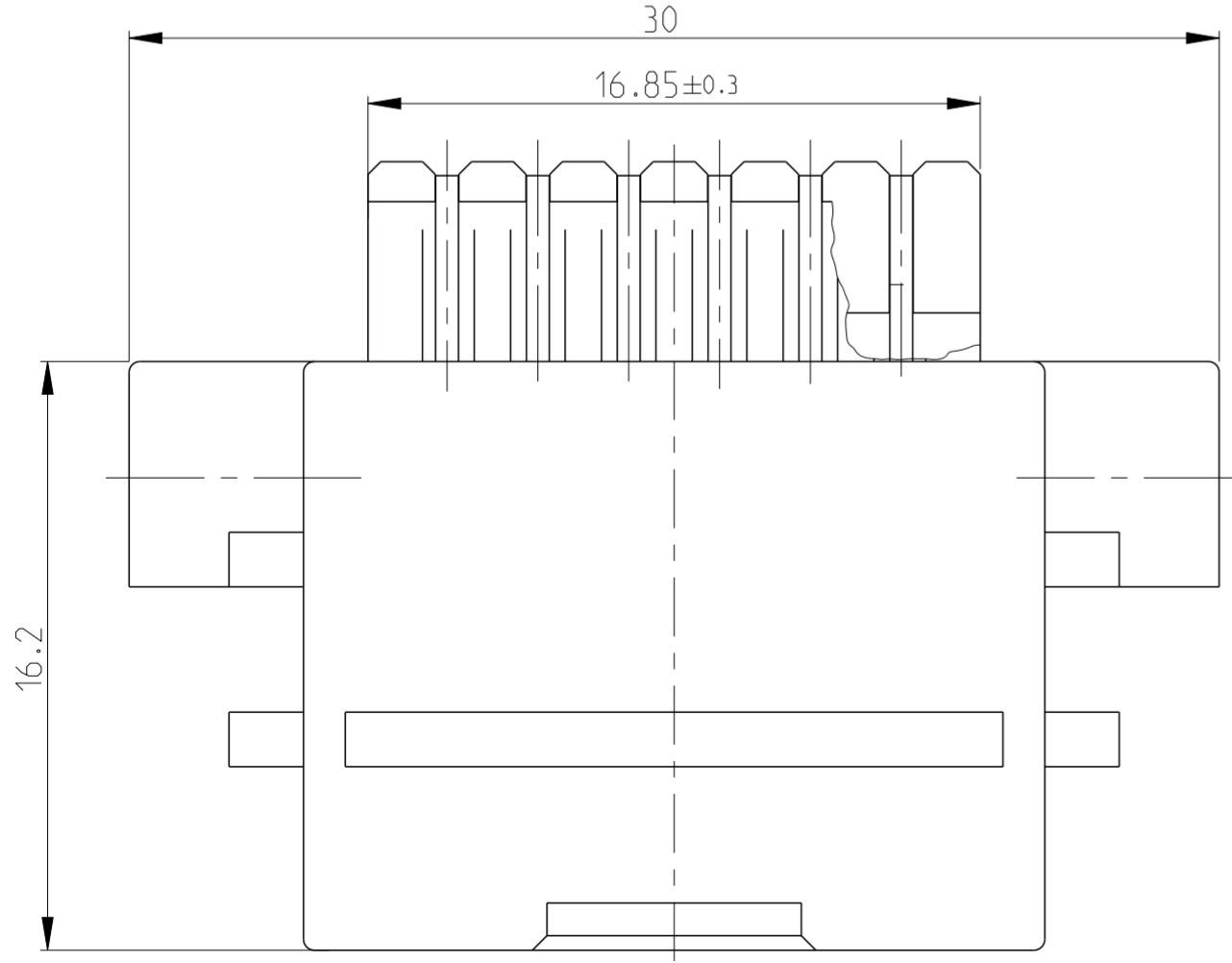
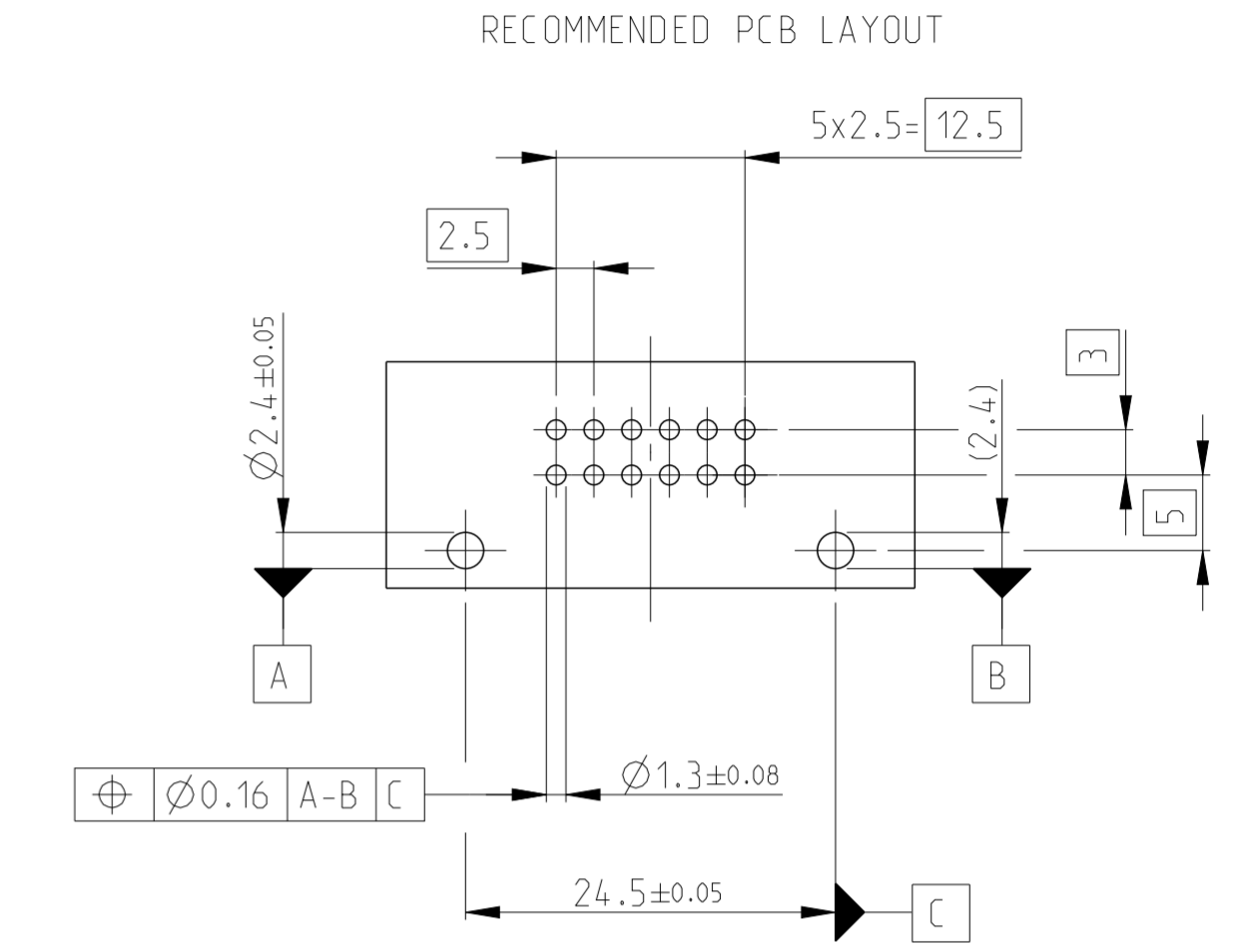
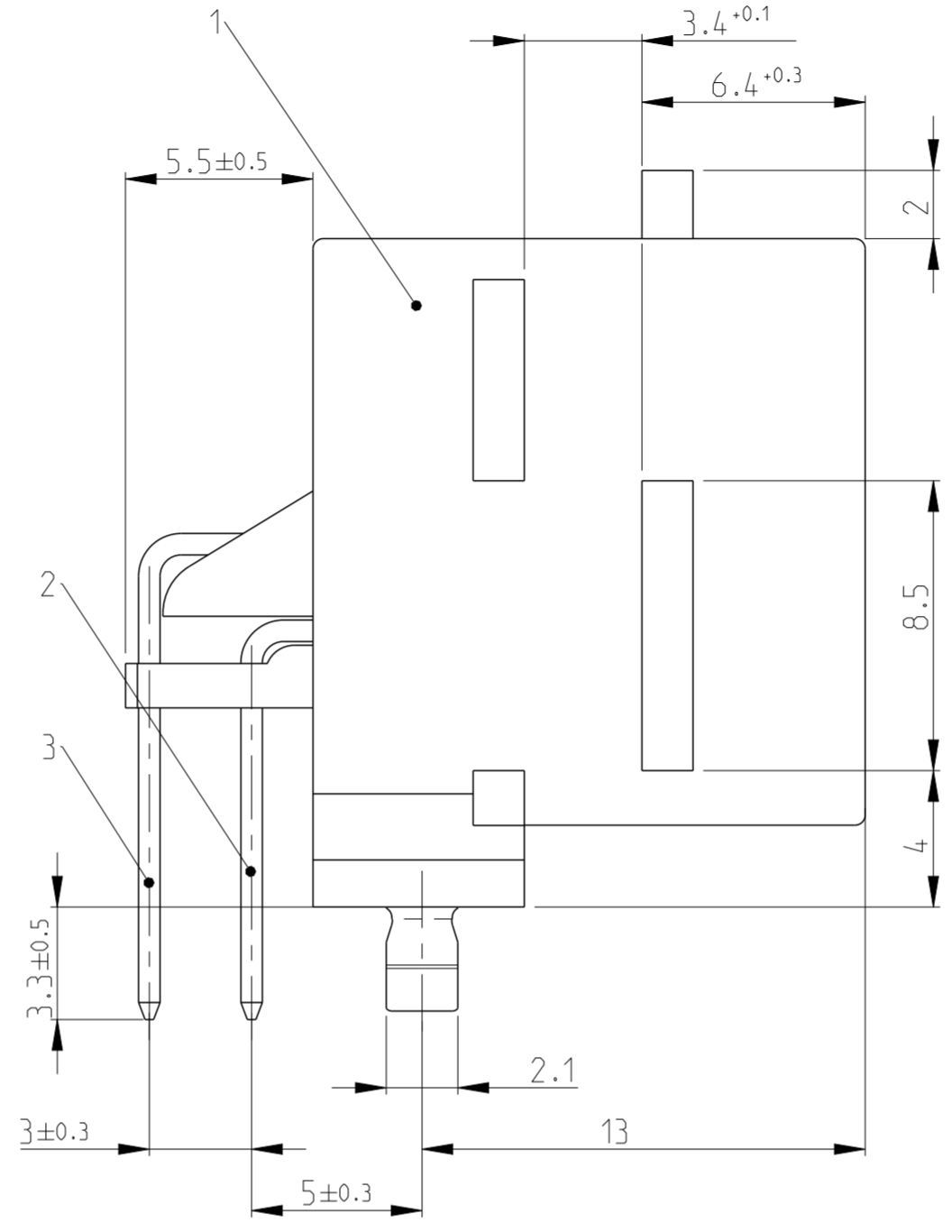
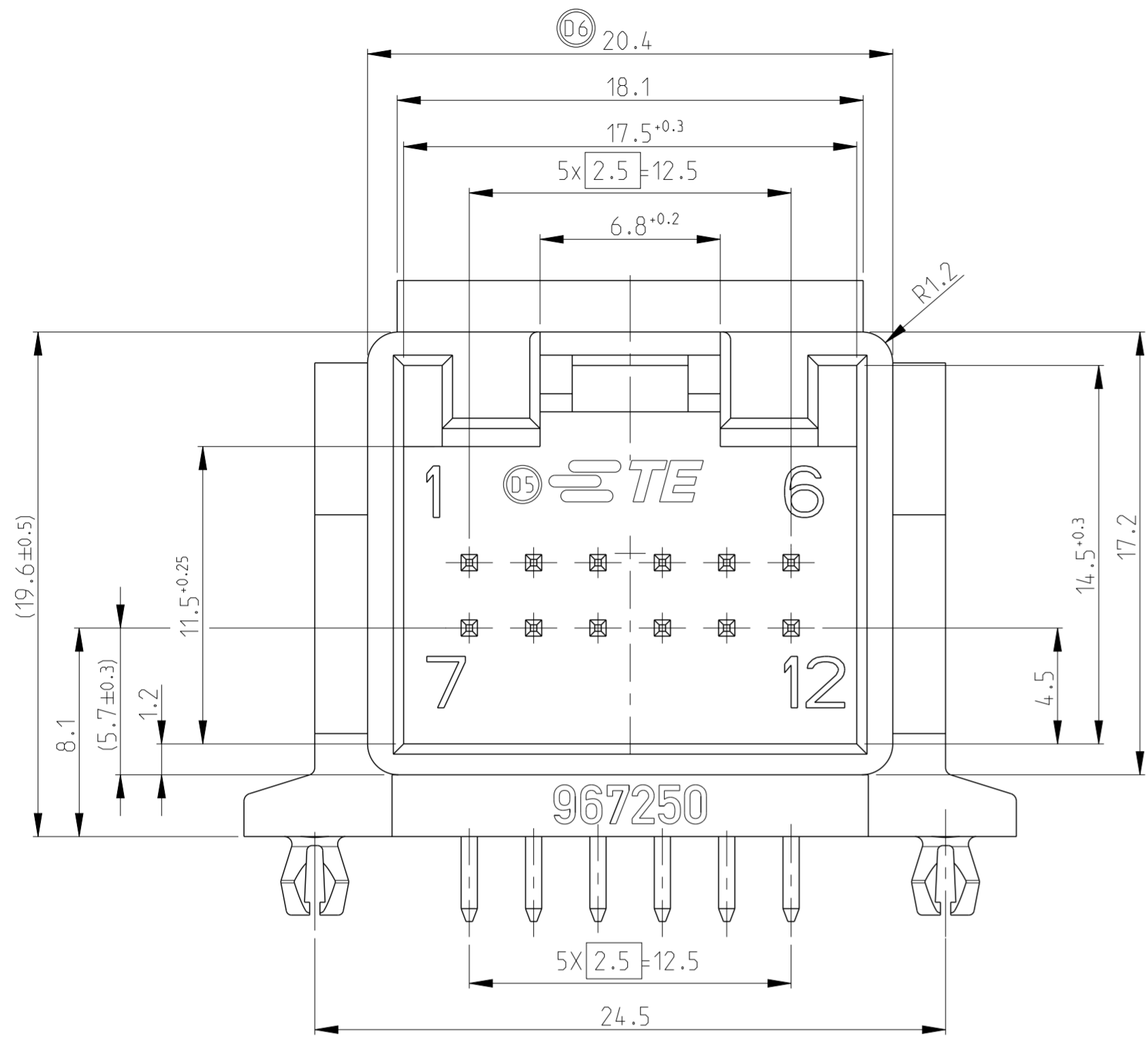


THIS DRAWING IS UNPUBLISHED
 RELEASED FOR PUBLICATION
 COPYRIGHT copyright_date Tyco Electronics AMP GmbH
 ALL RIGHTS RESERVED.

LOC		DIST		REVISIONS			
P	LTR	DESCRIPTION	DATE	DWN	APVD		
D3		SEE PCN ECR-13-018654	27NOV2013	MM	BF		
D4		ECR-15-013673	16SEP2015	KK	BF		
D5		ECR-18-008165	28MAY2018	AN	KK		
D6		Changed dim 20.5 to 20.4 (area D4)	02NOV2018	HK	BF		



2:1

RECOMMENDED PCB LAYOUT

Bemerkungen

- 1 Kontaktdurchdrückkraft >40N
Contact push-through force >40N
- 2 Verpackungs-Spezifikation: V967250
Packaging specification: V967250
- 3 Verpackt in Tray / PS Regenerat
Packed in Tray / PS Regrind

TE PART NO	TE PART NO	REV.	POS.	MATERIAL	SURFACE COLOR	DESCRIPTION	ITEM NO
1-967250-1	967250-1	D	6	CuSn6	verzinkt	MODU II Stift □ 0.63	3
			6	CuSn6	verzinkt	MODU II Stift □ 0.63	2
			1	PBT GF 15	schwarz	2x6 pol. Gehäuse	1

THIS DRAWING IS A CONTROLLED DOCUMENT.

DIMENSIONS: mm

TOLERANCES UNLESS OTHERWISE SPECIFIED:

0 PLC	±0.2
1 PLC	±0.2
2 PLC	±
3 PLC	±
4 PLC	±
ANGLES	±2°
FINISH	

MATERIAL: SEE TABLE

SEE TABLE

DWN: M.Geberzahn 16NOV1993

CHK: M.Schwäger 18NOV1993

APVD: -

PRODUCT SPEC: -

APPLICATION SPEC: -

WEIGHT: -

CUSTOMER DRAWING

SCALE 5:1

SHEET 1 of 1

REV D6

NAME: 2X6 POS. MODU II PIN HEADER
2x6 pol. MODU II Stiftwanne

SIZE: A2

CAGE CODE: 00779

DRAWING NO: C-967250

RESTRICTED TO: -

单击下面可查看定价，库存，交付和生命周期等信息

[>>TE Connectivity\(泰科\)](#)