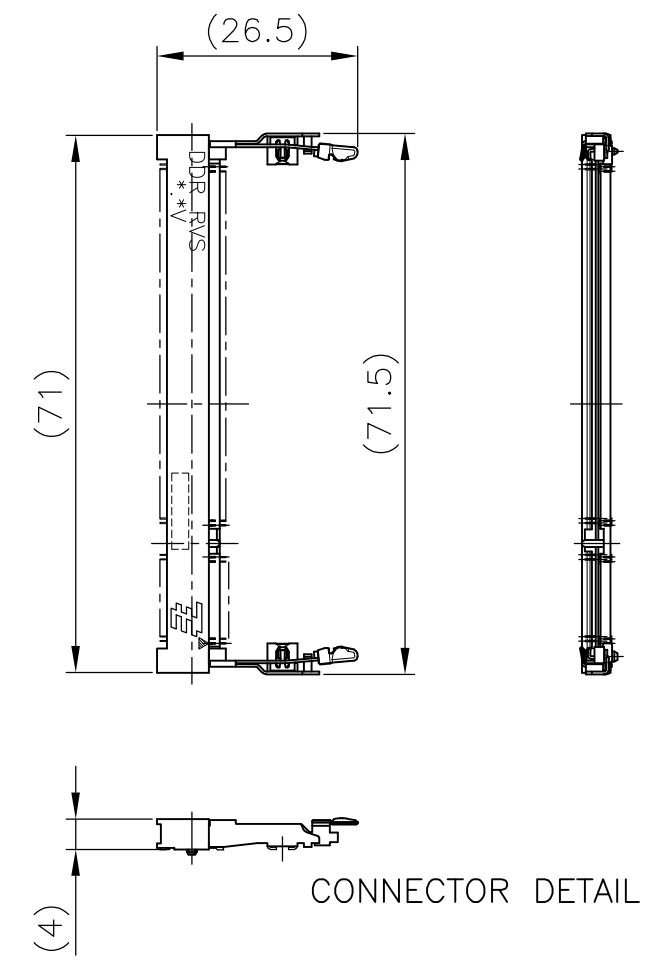
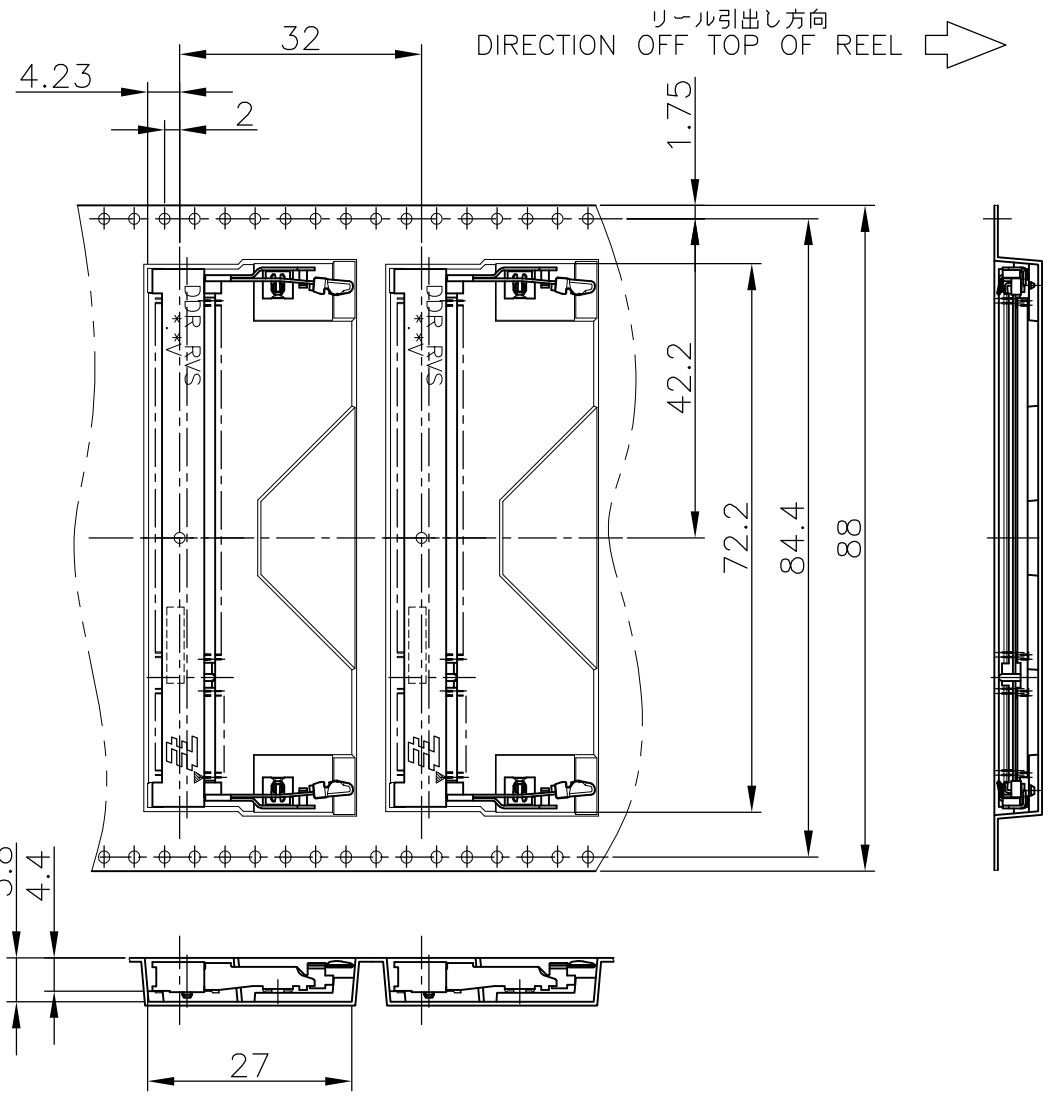


THIS DRAWING IS UNPUBLISHED. RELEASED FOR PUBLICATION JUN ,2002.  
 © COPYRIGHT 2002 BY TYCO ELECTRONICS CORPORATION. ALL RIGHTS RESERVED.

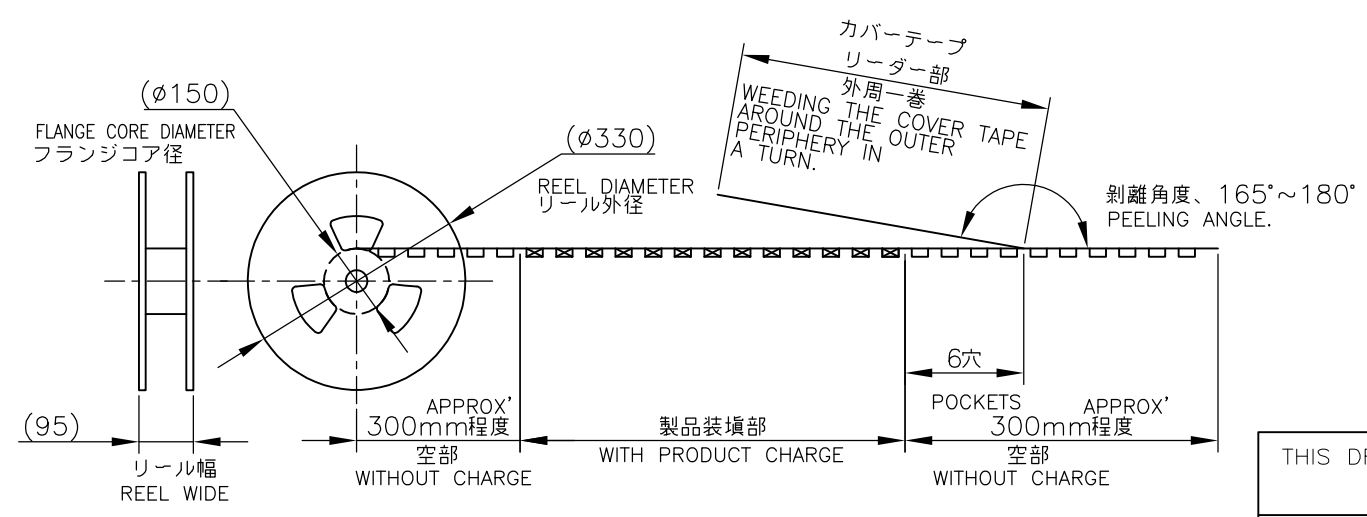
LOC	DIST	REVISIONS					
J		P	LTR	DESCRIPTION	DATE	DWN	APVD
			C2	ECR-10-014684	22JUL10	B.W	S.Y



CONNECTOR DETAIL

△ OBSOLETE PARTS: OBSOLETE CIS STREAMLINING PER D.RENAUD/D.SINISI

鉛フリー  
LEAD FREE



△ OBSOLETE	1.8V (DDR2)	200EA/REEL	1565619-4	1612560-4
	2.5V (DDR1)	200EA/REEL	1565619-1	1612560-1
	POWER SUPPLY (TYPE)	QTY	CONNECTOR P/N	P/N

THIS DRAWING IS A CONTROLLED DOCUMENT.		DWN T.FUTATSUGI 11JUN02	Tyco Electronics AMP K.K. Kawasaki, Japan	
DIMENSIONS: 単位: 耗 MM		CHK T.KUSUHARA 11JUN02	NAME 名称	
TOLERANCES UNLESS OTHERWISE SPECIFIED: 一般公差		APVD I.ENOMOTO 11JUN02	EMBOSS ASSEMBLY	
0 PLC ± 0.3		PRODUCT SPEC 製品規格	DDR1 & DDR2 SODIMM SOCKET 200P	
1 PLC ± 0.3		APPLICATION SPEC 取付適用規格	LOW PROFILE REVERSE TYPE	
2 PLC ± 0.3		WEIGHT	SIZE A3	CAGE CODE 00779
3 PLC ± 0.3			DRAWING NO	RESTRICTED TO
4 PLC ± 0.3			番号	
ANGLES ± 5°			1612560	
MATERIAL 材料		CUSTOMER DRAWING		SCALE 1:1
FINISH 仕上				SHEET 1 OF 1
				REV C2

单击下面可查看定价，库存，交付和生命周期等信息

[>>TE Connectivity\(泰科\)](#)