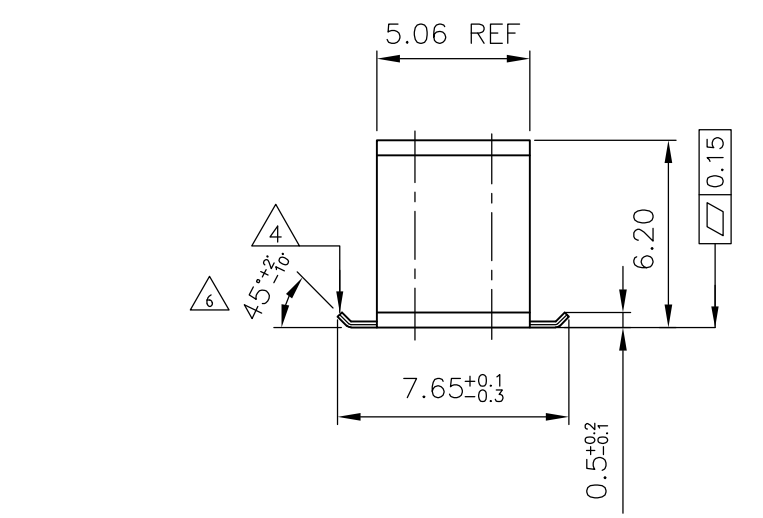
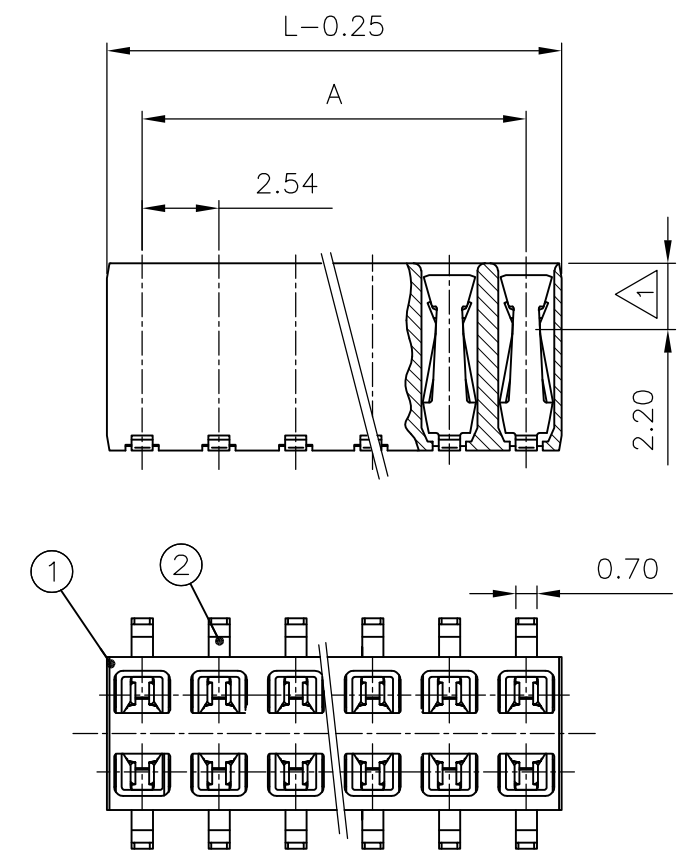


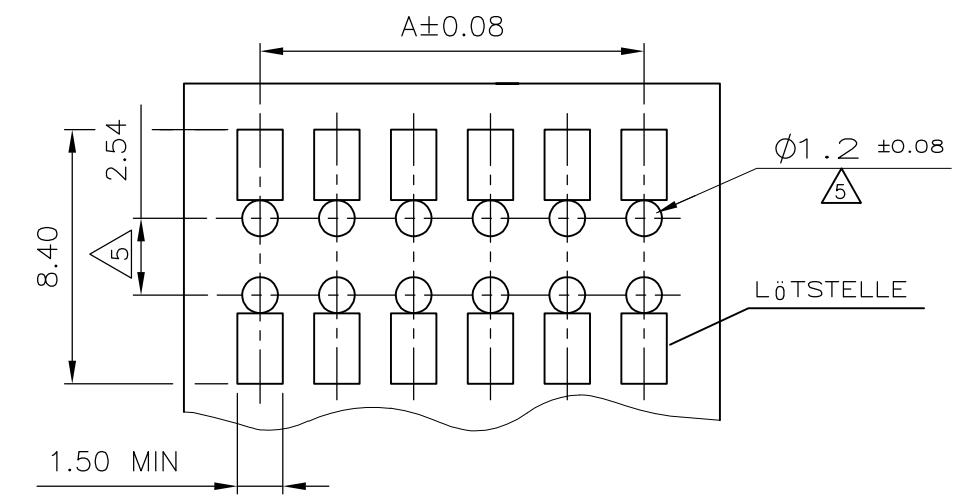
THIS DRAWING IS UNPUBLISHED. RELEASED FOR PUBLICATION
 © COPYRIGHT - By - ALL RIGHTS RESERVED.

| LOC | DIST | REVISIONS | | | | |
|-----|------|-------------|------------------------------------|-----------|------|----|
| P | LTR | DESCRIPTION | DATE | DWN | APVD | |
| IR | - | R2 | TOLERANCE UPDATED AND NOTE 6 ADDED | 12SEP2013 | KJK | RP |

| Polz. | L _{-0.25} | A |
|-------|--------------------|-------|
| - | - | - |
| 2 | 4.88 | 2.54 |
| 3 | 7.42 | 5.08 |
| 4 | 9.96 | 7.62 |
| 5 | 12.5 | 10.16 |
| 6 | 15.04 | 12.7 |
| 7 | 17.58 | 15.24 |
| 8 | 20.12 | 17.78 |
| 9 | 22.66 | 20.32 |
| 10 | 25.2 | 22.86 |
| 11 | 27.24 | 25.4 |
| 12 | 30.28 | 27.94 |
| 13 | 32.82 | 30.48 |
| 14 | 35.36 | 33.02 |
| 15 | 37.90 | 35.56 |
| 16 | 40.44 | 38.10 |
| 17 | 42.98 | 40.64 |
| 18 | 45.52 | 43.18 |
| 19 | 48.06 | 45.72 |
| 20 | 50.60 | 48.26 |



EMPFOHLENES LEITERPLATTEN LAYOUT



1 EDGE CONTACT
KONTAKTPUNKT

2 CONTACT RANGE: 0.8µm GOLD OVER 1.3µm Ni
 SOLDERING RANGE: 2.5µm TIN OVER 1.3µm Ni
 KONTAKTBEREICH: 0.8µm GOLD ÜBER 1.3µm Ni
 LÖTBEREICH: 2.5µm ZINN ÜBER 1.3µm Ni

3 CAN BE PLUGGED IN WITH MODU II PINS Ø0.63 OR □0.63 TOP
 OR BOTTOM ENTRY.
 STECKBAR MIT MODU II STIFTEN Ø0.63 ODER □0.63
 TOP ODER BOTTOM ENTRY.

4 PLANE OF SECTION BLANK
 SCHNITTFLÄCHE BLANK

5 ONLY WITH THE BOTTOM ENTRY
 NUR BEI BOTTOM ENTRY

6 BEND ANGLE WILL BE 80°±5° WHEN PRODUCED AT
 DIFFERENT EQUIPMENT (SEMI-AUTOMATIC) DUE TO CAPACITY
 AND MIX OF LOAD.

| POS. | STÜCK / PIECE | BENENNUNG EINZELTEIL PART DESCRIPTION | WERKSTOFF MATERIAL | OBERFLÄCHE / FARBE SURFACE / COLOR | SI No |
|------|---------------|--|-----------------------|---------------------------------------|-------|
| 2 | - | HV 100 KONTAKT / HV 100 CONTACT | Cu Sn | 2 | 2 |
| 1 | - | HV 100 GEHÄUSE / HV 100 HOUSING | LCP | SCHWARZ / BLACK | 1 |

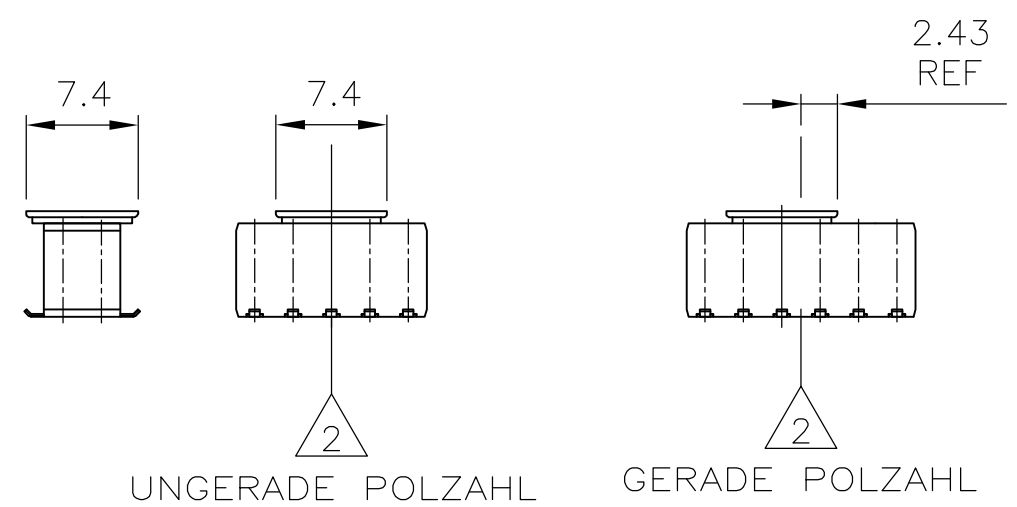
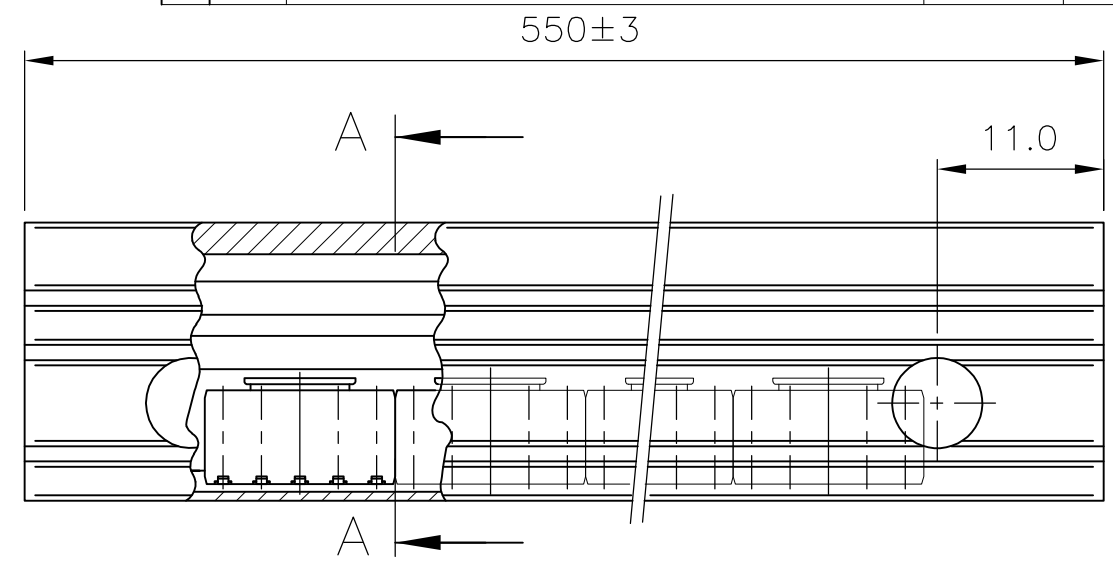
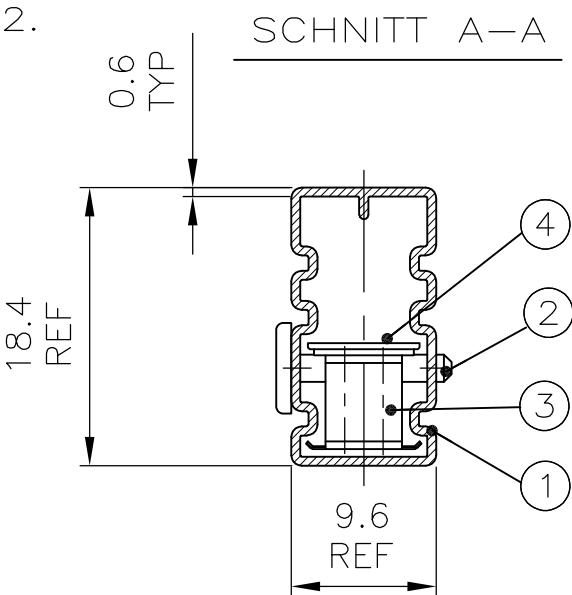
THIS DRAWING IS A CONTROLLED DOCUMENT.

| | | | | | |
|------------------------------------|--|--------------------|------------------------|--------------------|-----------|
| DWN A.HO 06.01.95 | TE Connectivity HV 100 RECEPTACLE CONNECTOR, SMD, DOUBLE ROW, TUBE PACKAGING | | | | |
| CHK M.SCHAARSCHMIDT 09.01.95 | | | | | |
| APVD - | | | | | |
| NAME | | | | | |
| PRODUCT SPEC 108-19056 | SIZE A3 | CAGE CODE 00779 | DRAWING NO C-966645 | RESTRICTED TO - | |
| APPLICATION SPEC - | WEIGHT - | SCALE 2:1 | | SHEET 1 OF 2 | REV R2 |
| MATERIAL SEE TABLE | FINISH SEE TABLE | CUSTOMER DRAWING | | | |

THIS DRAWING IS UNPUBLISHED. RELEASED FOR PUBLICATION MAR , 1998.
 © COPYRIGHT 2010 By - ALL RIGHTS RESERVED.

| LOC | DIST | REVISIONS | | | | | |
|-----|------|-----------|-----|-------------|------|-----|------|
| IR | - | P | LTR | DESCRIPTION | DATE | DWN | APVD |
| | | - | | SEE SHEET 1 | - | - | - |

- 1 HV 100 SOCKET PLUG, SMD SEE SHEET 1 OF 2.
HV100 BUCHSENSTECKER SMD SIEHE BLATT 1 VON 2.
- 2 CENTER LINE OF SOCKET PLUG
MITTELLINIE DES BUCHSENSTECKERS
- 3 SEE TABLE
SIEHE TABELLE



| | | | | | | | | | | | | | |
|------|----------|----------|----------|----------|----------|----------|----|----|----|----|----|---|---|
| | OBSOLETE | OBSOLETE | OBSOLETE | OBSOLETE | OBSOLETE | OBSOLETE | | | | | | | |
| 10 | 13 | 17 | 18 | 20 | 23 | 25 | 29 | 34 | 41 | 52 | 69 | ADAPTER F. SAUGPIPETTE | 4 |
| 10 | - | - | - | - | - | - | - | - | - | - | - | 2x20POL. BUCHSENSTECKER 2x20POS. SOCKET PLUG | 3 |
| - | 13 | - | - | - | - | - | - | - | - | - | - | 2x15POL. BUCHSENSTECKER 2x15POS. SOCKET PLUG | 3 |
| - | - | 17 | - | - | - | - | - | - | - | - | - | 2x12POL. BUCHSENSTECKER 2x12POS. SOCKET PLUG | 3 |
| - | - | - | 18 | - | - | - | - | - | - | - | - | 2x11POL. BUCHSENSTECKER 2x11POS. SOCKET PLUG | 3 |
| - | - | - | - | 20 | - | - | - | - | - | - | - | 2x10POL. BUCHSENSTECKER 2x10POS. SOCKET PLUG | 3 |
| - | - | - | - | - | 23 | - | - | - | - | - | - | 2x9 POL. BUCHSENSTECKER 2x9 POS. SOCKET PLUG | 3 |
| - | - | - | - | - | - | 25 | - | - | - | - | - | 2x8 POL. BUCHSENSTECKER 2x8 POS. SOCKET PLUG | 3 |
| - | - | - | - | - | - | - | 29 | - | - | - | - | 2x7 POL. BUCHSENSTECKER 2x7 POS. SOCKET PLUG | 3 |
| - | - | - | - | - | - | - | - | 34 | - | - | - | 2x6 POL. BUCHSENSTECKER 2x6 POS. SOCKET PLUG | 3 |
| - | - | - | - | - | - | - | - | - | 41 | - | - | 2x5 POL. BUCHSENSTECKER 2x5 POS. SOCKET PLUG | 3 |
| - | - | - | - | - | - | - | - | - | - | 52 | - | 2x4 POL. BUCHSENSTECKER 2x4 POS. SOCKET PLUG | 3 |
| - | - | - | - | - | - | - | - | - | - | - | 69 | 2x3 POL. BUCHSENSTECKER 2x3 POS. SOCKET PLUG | 3 |
| 2 | 2 | 2 | 2 | 2 | 2 | 2 | 2 | 2 | 2 | 2 | 2 | VERSCHLUß-STIFT | 2 |
| 1 | 1 | 1 | 1 | 1 | 1 | 1 | 1 | 1 | 1 | 1 | 1 | VERPACKUNGSRÖHR PACKING PIPE | 1 |
| 2--0 | 1--5 | 1--2 | 1--1 | 1--0 | -9 | -8 | -7 | -6 | -5 | -4 | -3 | | |

| | | | | | | |
|------------------------|------|----------------|--|-----------------------|---------------------------------------|-------|
| S.TABELLE SEE TABLE | 4 | 3 | ADAPTER | PCT-GV | SCHWARZ / BLACK | 4 |
| | 3 | 3 | HV 100 BUCHSENST, SMD | 1 | 1 | 3 |
| | 2 | 2 | VERSCHL. STIFT / LOCKS PIN | PP | ROT / RED | 2 |
| | 1 | 1 | VERPACKUNGSRÖHR / PACKING PIPE | ANTI-STATISCH | TRANSPAR. | 1 |
| BESTELL-NR | POS. | STÜCK PIECE | BENENNING EINZELTEIL PART DESCRIPTION | WERKSTOFF MATERIAL | OBERFLÄCHE / FARBE SURFACE / COLOR | SI No |

THIS DRAWING IS A CONTROLLED DOCUMENT.

DWN A.HO 06.01.95
 CHK M.SCHAARSCHMIDT 09.01.95
 APVD -

PRODUCT SPEC 108-19056
 APPLICATION SPEC -

WEIGHT -

CUSTOMER DRAWING

STE TE Connectivity

HV 100 RECEPTACLE CONNECTOR, SMD,
DOUBLE ROW, TUBE PACKAGING

SIZE A3 CAGE CODE 00779 DRAWING NO C-966645 RESTRICTED TO -

SCALE 2:1 SHEET 2 OF 2 REV R2

单击下面可查看定价，库存，交付和生命周期等信息

[>>TE Connectivity\(泰科\)](#)