

REVISONS		DATE	DMN	APVD
B5	REVISED	ECR-17-015885	27OCT2017	TS
B6	OBSOLETE -3,-6	ECR-19-016520	13FEB2020	DM
B7	ADD 1-1318745-2	ECR-19-018614	09MAR2020	DM
B8	REVISED	ECR-21-112849	08SEP2021	TH

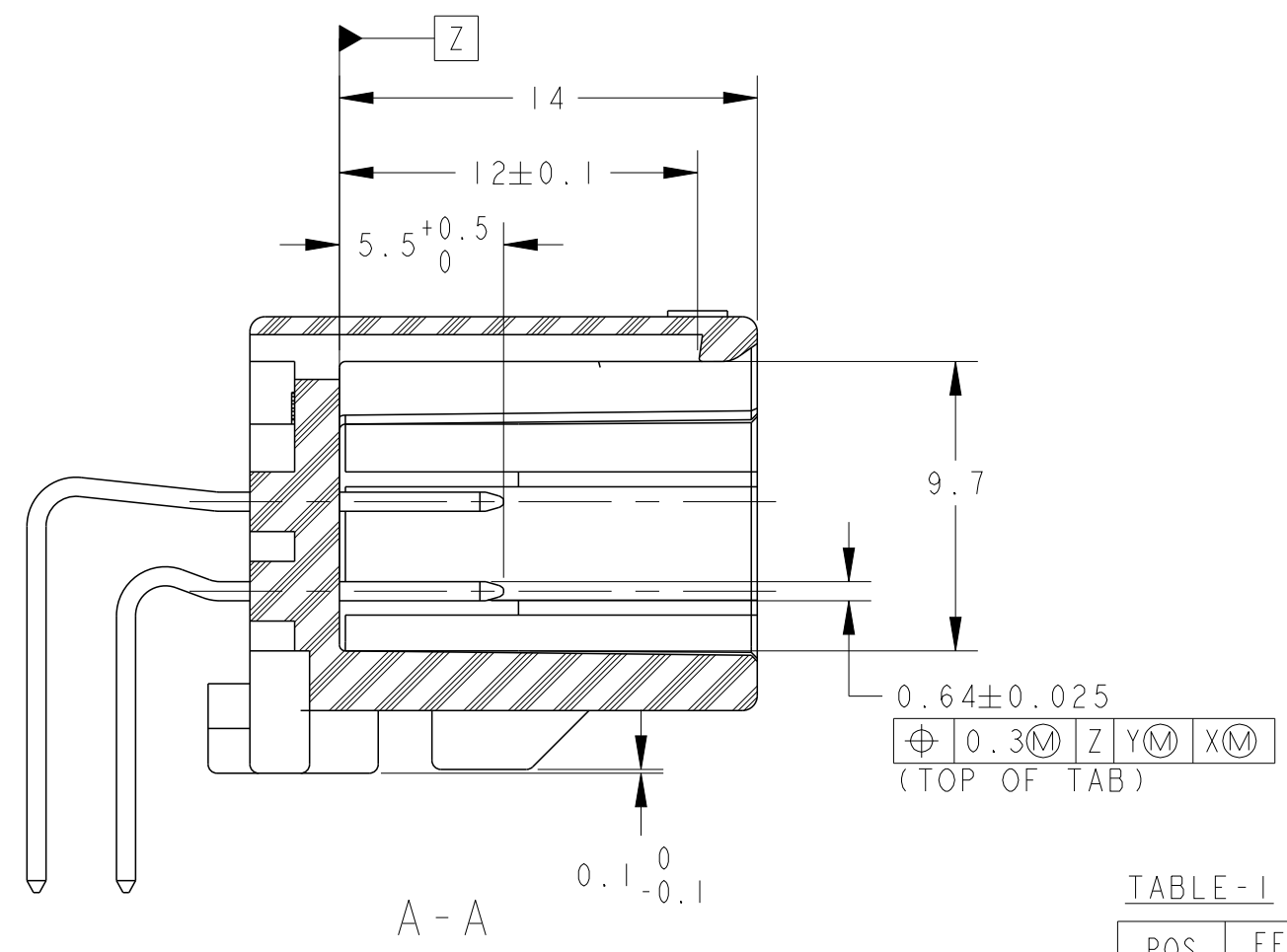
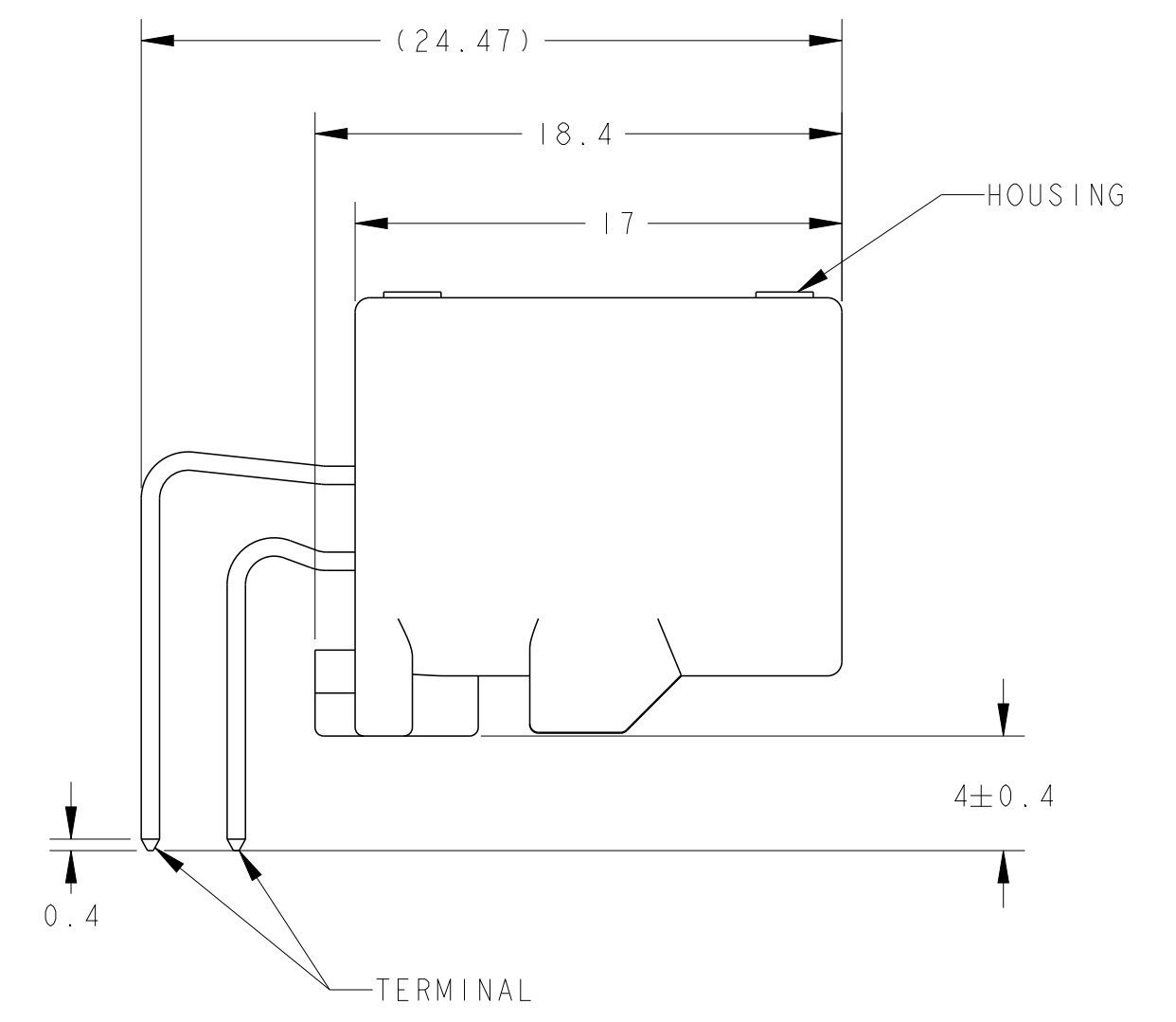
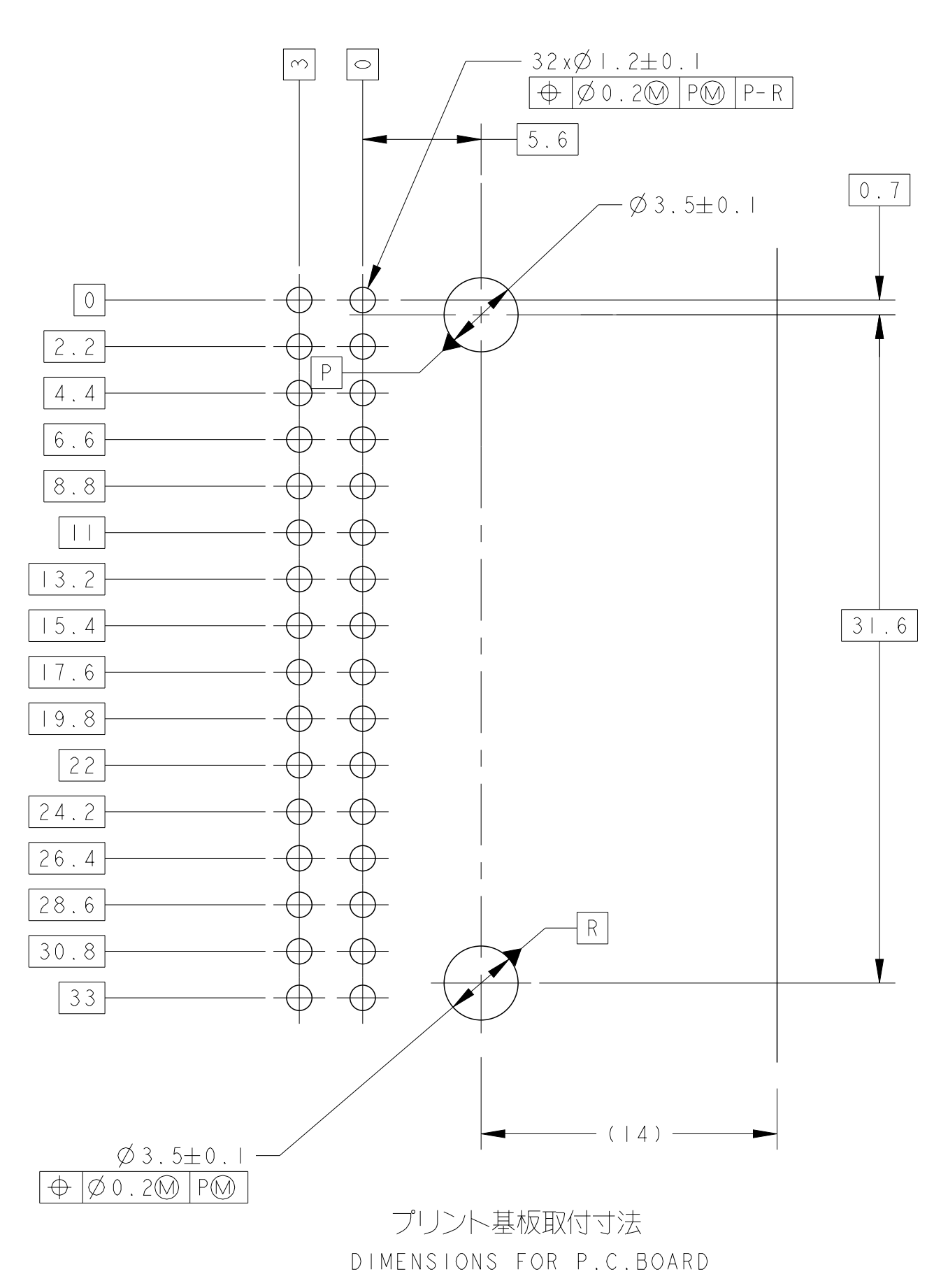
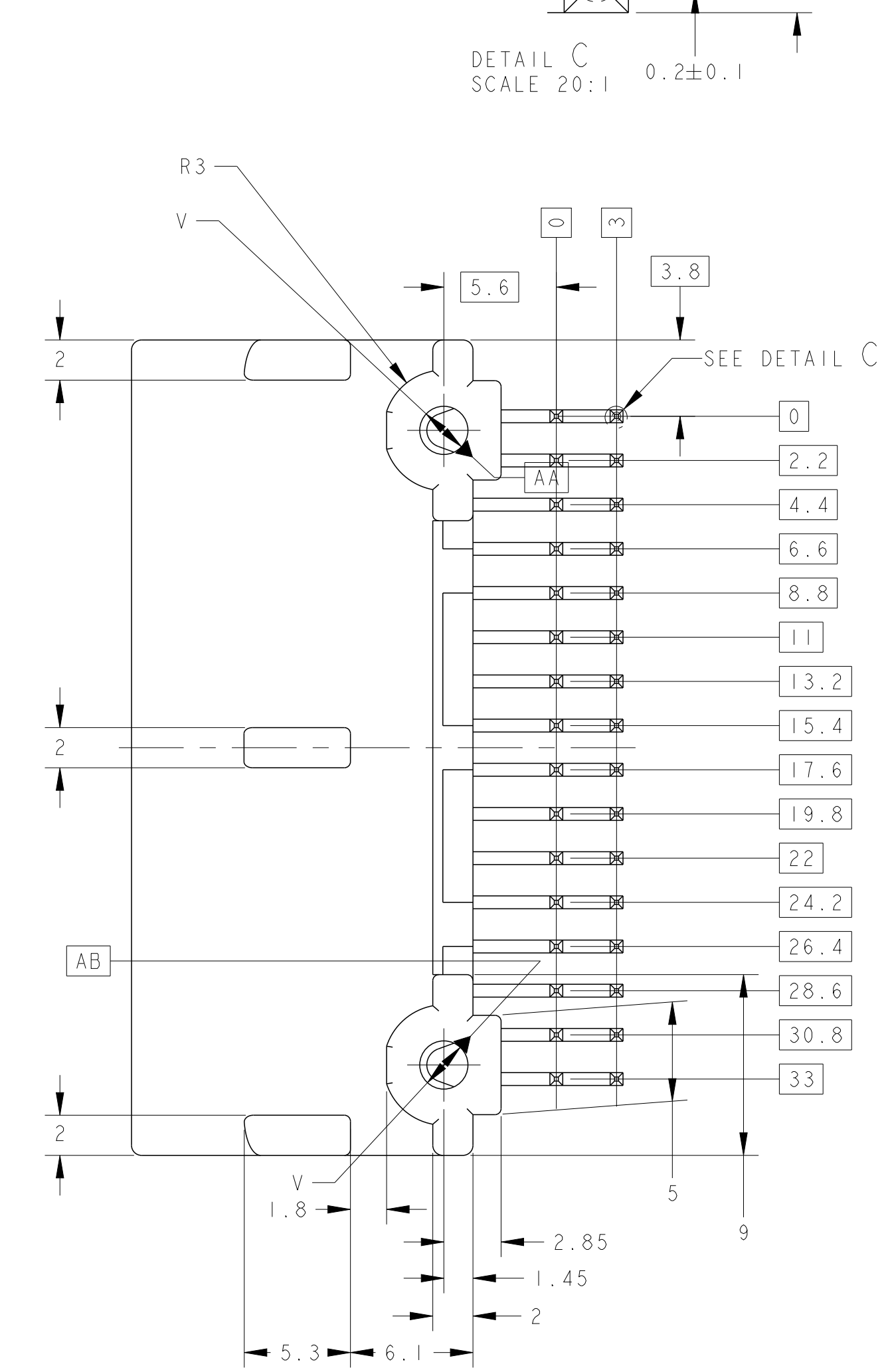
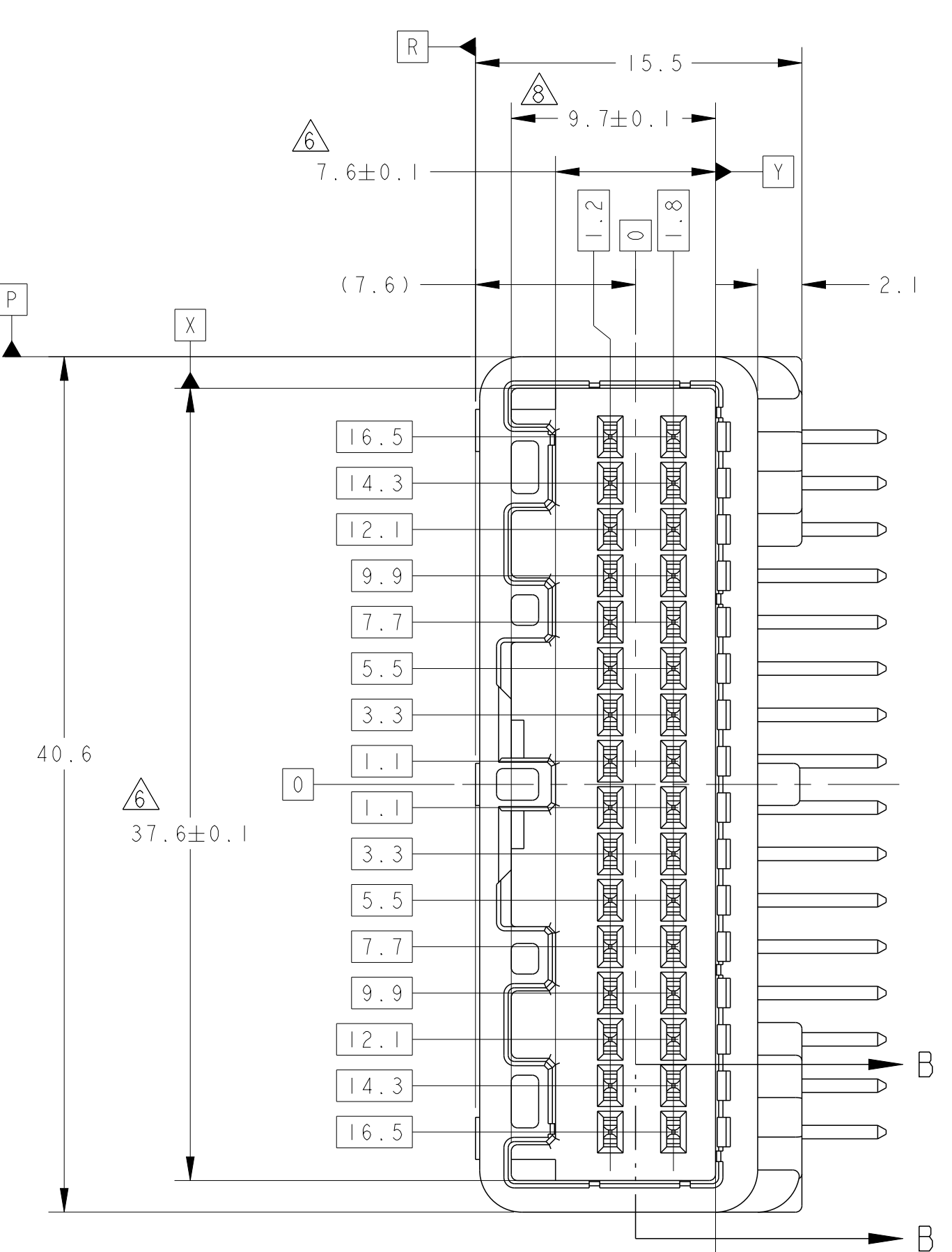
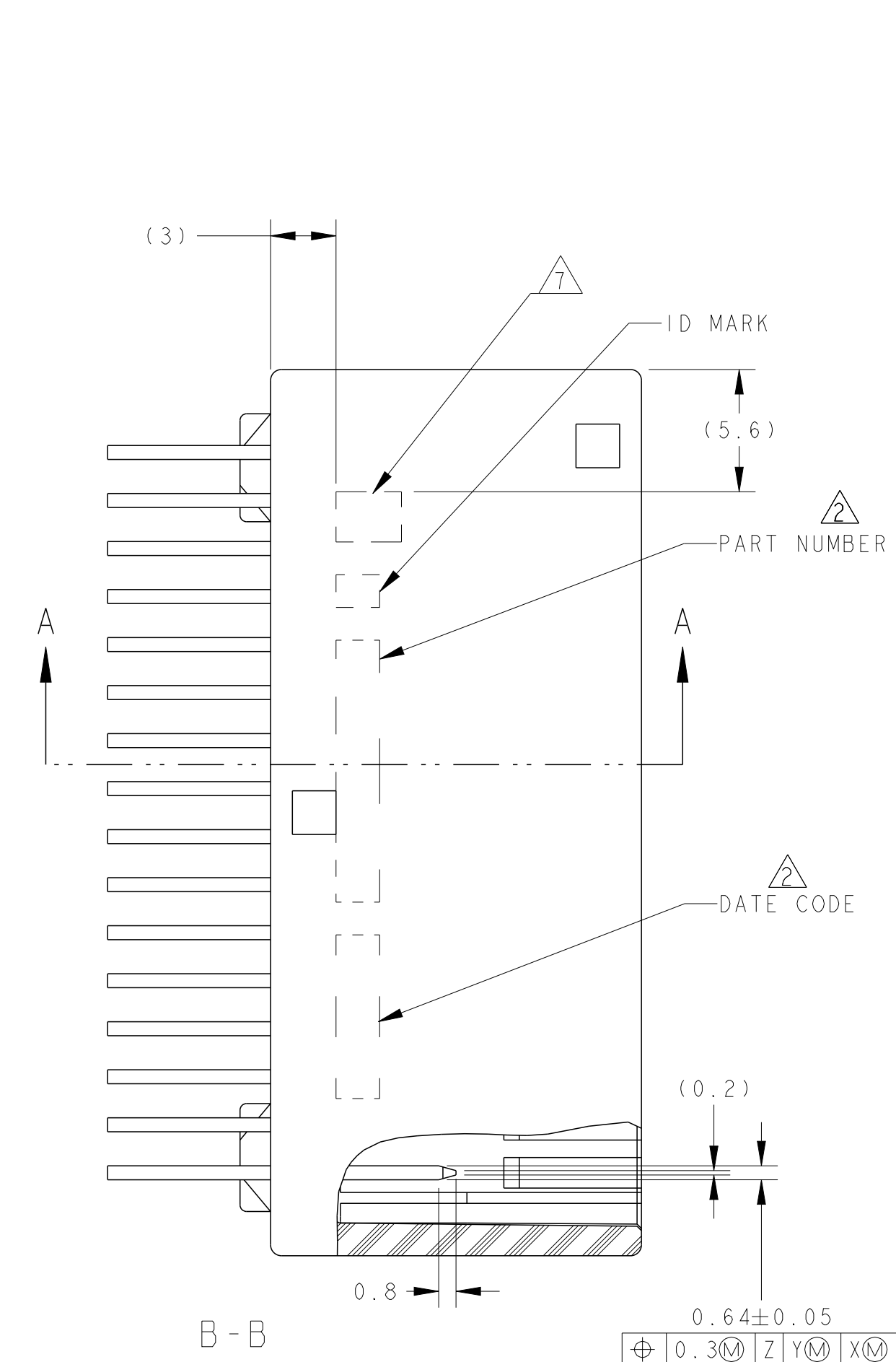


TABLE-1

POS	FEMALE HSG	メスハウジング
32	1318747	1717118

TABLE-2

プリント基板厚 (mm)	1.2	1.6
THICKNESS OF PCB (mm)	5	6
固定用ねじ長さ (mm)		
NOMINAL LENGTH OF SCREW (mm)		

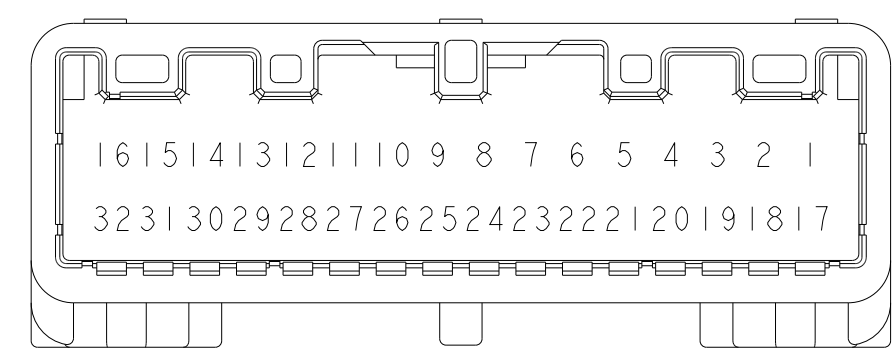


FIG.1 CONTACT COMPOSITION
 コンタクト回路構成

- PLUG HOUSING TO BE MATED ; SEE TABLE-1.
- DATE CODE, PART NUMBER INDICATED
- RECOMMENDED SCREW : PAN-HEADED, TYPE 2 TAPPING SCREW, NOMINAL DIAMETER 3mm LENGTH; SEE TABLE-2 (JIS B1115, B1122).
- FASTENING TORQUE FOR SCREW (FOR REFERENCE): 0.392N·m REF.
- AS FOR THE HANDLING OF THIS PRODUCT, FOLLOW THE INSTRUCTION SHEET No.:411-5928

- 適合相手ハウジング型番: TABLE-1 参照
- DATE CODE, PART NUMBER を表示
- 推奨取付ねじ: JIS B1115, B1122タッピングねじ, ねじ径3, 長さ: TABLE-2参照
- ねじ締めトルク (参考): 0.392N·m REF.
- 本品の取扱いについては、取扱説明書 No.:411-5928に従うこと

POS	SIZE	Ø	PAPER BOX	PLASTIC TUBE	CONTACT POS	FINISH	CONTACT SIDE	MATERIAL	COLOR	PART NUMBER
60	8.0	Ø2.4	PAPER BOX	PLASTIC TUBE	1~32	SELECTIVE TIN (MATTE)	SELECTIVE GOLD	PBT GF15	BLACK	6318745-6
62	8.0	Ø2.4	PLASTIC BOX	PLASTIC TUBE	1,2,17,23,24	SELECTIVE TIN (MATTE)	SELECTIVE TIN (BRIGHT)	PBT GF15	NATURAL	6318745-4
60	8.0	Ø2.4	PAPER BOX	PLASTIC TUBE	1~32	SELECTIVE TIN (MATTE)	SELECTIVE GOLD	PBT GF15	NATURAL	6318745-3
4	7.0	Ø2.63	PAPER BOX	PLASTIC TUBE	1~32	SELECTIVE TIN (MATTE)	SELECTIVE GOLD	SPS GF17	NATURAL	1-1318745-3
7	8.0	Ø2.4	PLASTIC BOX	PLASTIC TUBE	1,3,17,19	SELECTIVE TIN (MATTE)	SELECTIVE TIN (BRIGHT)	PBT GF15	NATURAL	1-1318745-2
6	8.0	Ø2.4	PAPER BOX	PLASTIC TUBE	1,7,8,14,15,17,23,24,30,31	SELECTIVE TIN (MATTE)	SELECTIVE TIN (BRIGHT)	PBT GF15	NATURAL	1-1318745-0
5	8.0	Ø2.4	PAPER BOX	PLASTIC TUBE	-	SELECTIVE TIN (MATTE)	SELECTIVE TIN (BRIGHT)	PBT GF15	NATURAL	1318745-9
3	7.0	Ø2.63	PLASTIC BOX	PLASTIC TUBE	-	SELECTIVE TIN (MATTE)	SELECTIVE TIN (BRIGHT)	SPS GF17	NATURAL	1318745-8
4	7.0	Ø2.63	PLASTIC BOX	PLASTIC TUBE	1~32	SELECTIVE TIN (MATTE)	SELECTIVE GOLD	SPS GF17	NATURAL	1318745-7
3	7.0	Ø2.63	PAPER BOX	PLASTIC TUBE	-	SELECTIVE TIN (MATTE)	SELECTIVE TIN (BRIGHT)	SPS GF17	NATURAL	1318745-5
2	8.0	Ø2.4	PLASTIC BOX	PLASTIC TUBE	1,2,17,23,24	TIN LEAD	SELECTIVE GOLD	PBT GF15	NATURAL	1318745-4
1	8.0	Ø2.4	PAPER BOX	PLASTIC TUBE	-	PRE-TIN	PBT GF15	NATURAL	1318745-2	
1	8.0	Ø2.4	PLASTIC BOX	PLASTIC TUBE	-	PRE-TIN	PBT GF15	NATURAL	1318745-1	

THIS DRAWING IS A CONTROLLED DOCUMENT.

DMN: N. YASUDA, TOMAROO
 CHK: N. SAI, TOMAROO
 APVD: N. SAI, TOMAROO

PRODUCT SPEC: 108-5668
 APPLICATION SPEC: 114-5250

SIZE: A1 00779
 CAGE CODE: 1318745
 SHEET: 1 OF 2

TE Connectivity
 025 SERIES 32POSITION (PCB H-TYPE)
 CAP HOUSING ASSEMBLY

4

3

2

1

THIS DRAWING IS UNPUBLISHED.

RELEASED FOR PUBLICATION

2015

© COPYRIGHT 2015

ALL RIGHTS RESERVED.

LOC
J

DIST

REVISIONS
変更

P	LTR	DESCRIPTION	DATE	DWN	APVD
-	-	SEE SHEET 1	-	-	-


Dimensions: (37.4) and (40.6)

Dimensions: (24.5), (15.8), (17.2)

CAP HOUSING ASSEMBLY

PLUG HOUSING ASSEMBLY

CAP ASSEMBLY & PLUG ASSEMBLY ENGAGEMENT DRAWING
 キャップアッセンブリ & プラグアッセンブリ 嵌合図

THIS DRAWING IS A CONTROLLED DOCUMENT.		DWN N. YASUDA	IOMAR00	 TE Connectivity	NAME 名称 025 SERIES 32 POSITION (PCB H-TYPE) CAP HOUSING ASSEMBLY
DIMENSIONS: 単位: 概 mm		CHK N. SAI	IOMAR00		
TOLERANCES UNLESS OTHERWISE SPECIFIED: 一般公差 = ± 0.3		APVD N. SAI	IOMAR00		
0 PLC ± 1 PLC ±0.1 2 PLC ±0.01 3 PLC ±0.001 4 PLC ±0.0001 ANGLES ±3'00"		PRODUCT SPEC 製品規格	SEE SHEET 1 OF 2	SIZE A3	CAGE CODE 00779
MATERIAL 材料 SEE SHEET 1 OF 2		APPLICATION SPEC 取付適用規格	SEE SHEET 1 OF 2	DRAWING NO 番号 C-1318745	RESTRICTED TO -
FINISH 仕上 SEE SHEET 1 OF 2		WEIGHT 重量 SEE SHEET 1 OF 2	CUSTOMER DRAWING	SCALE 尺度 4:1	SHEET 2 OF 2
					REV B8

1470-19 (3/11)

Downloaded From Onevac.com

单击下面可查看定价，库存，交付和生命周期等信息

[>>TE Connectivity\(泰科\)](#)