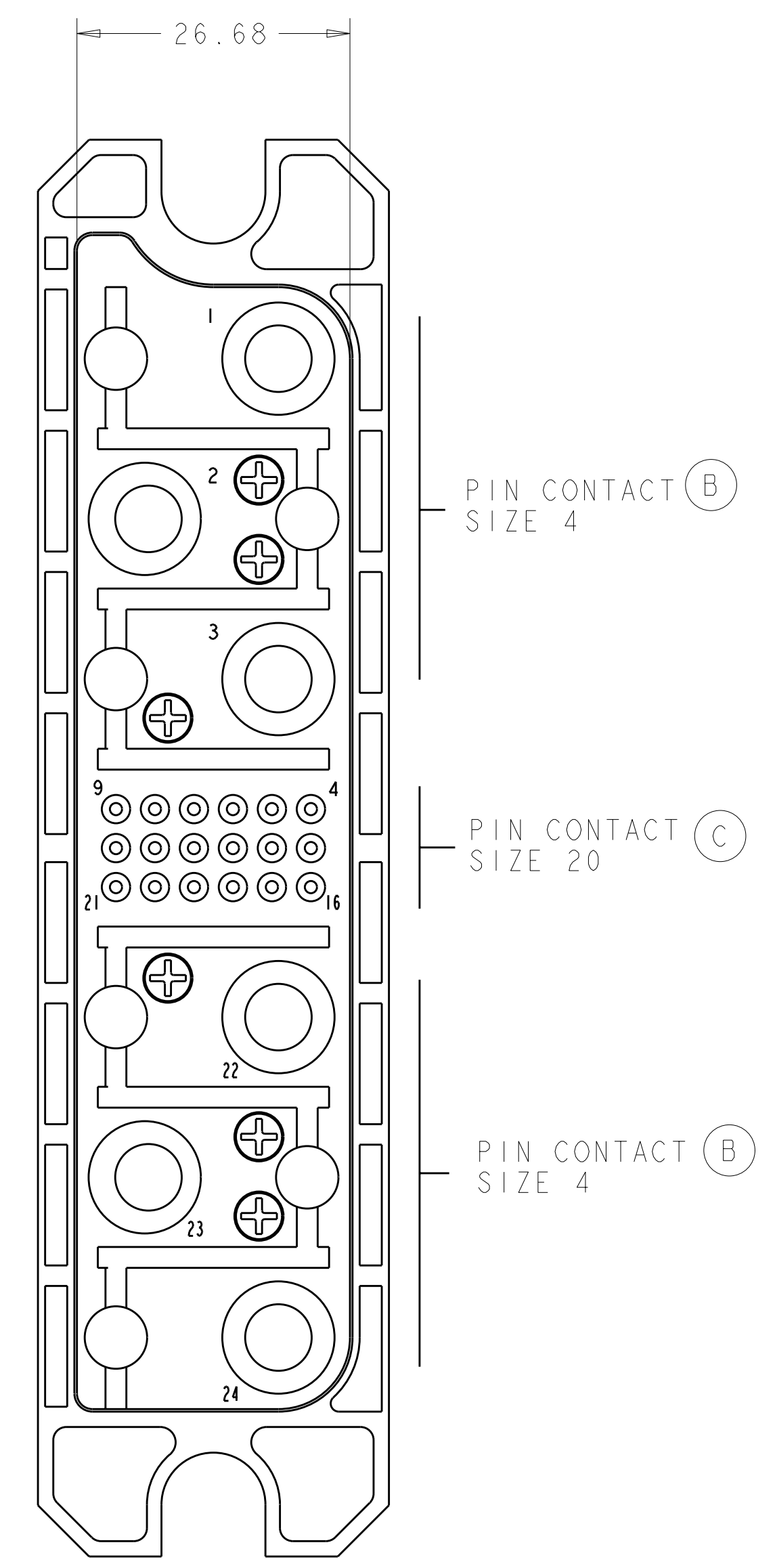
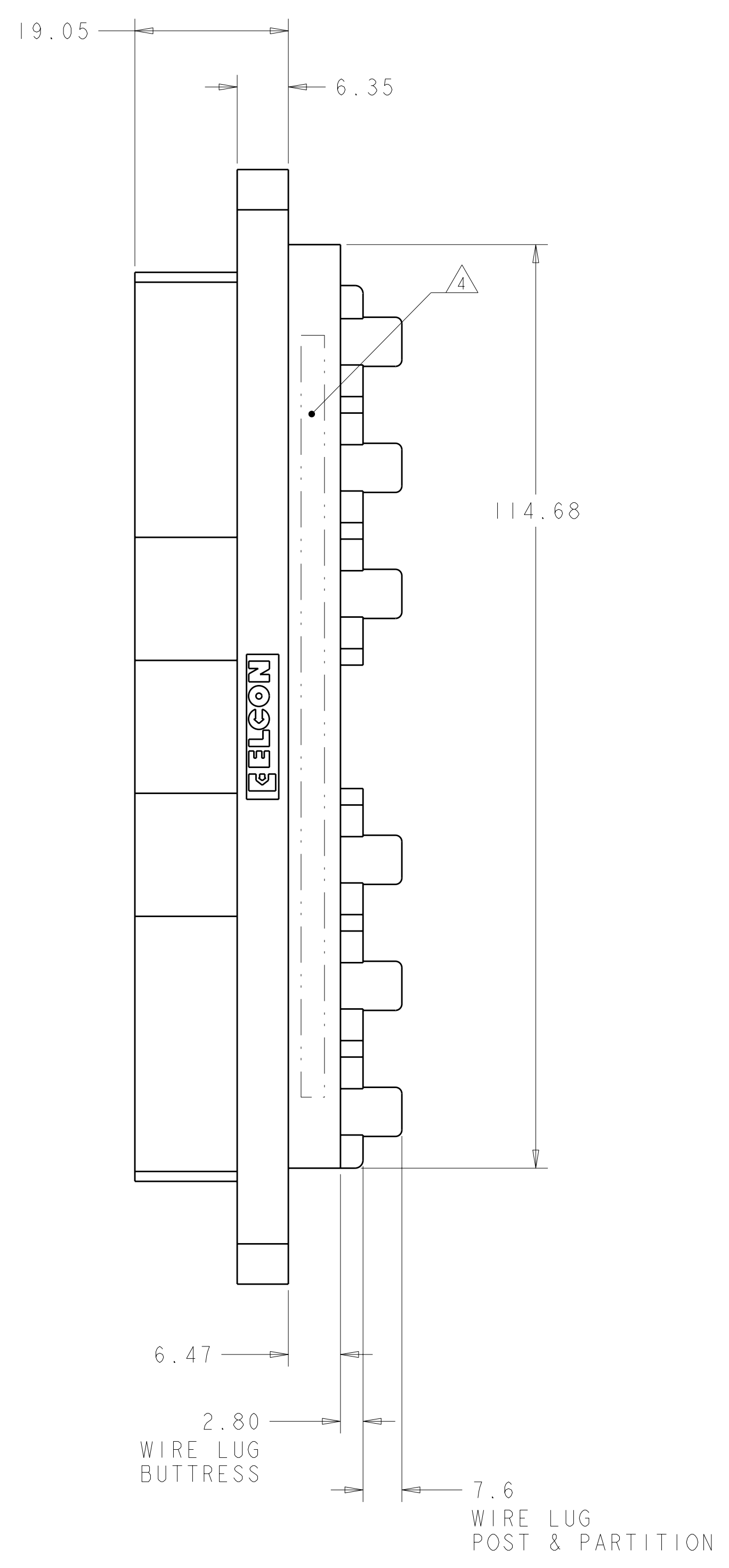
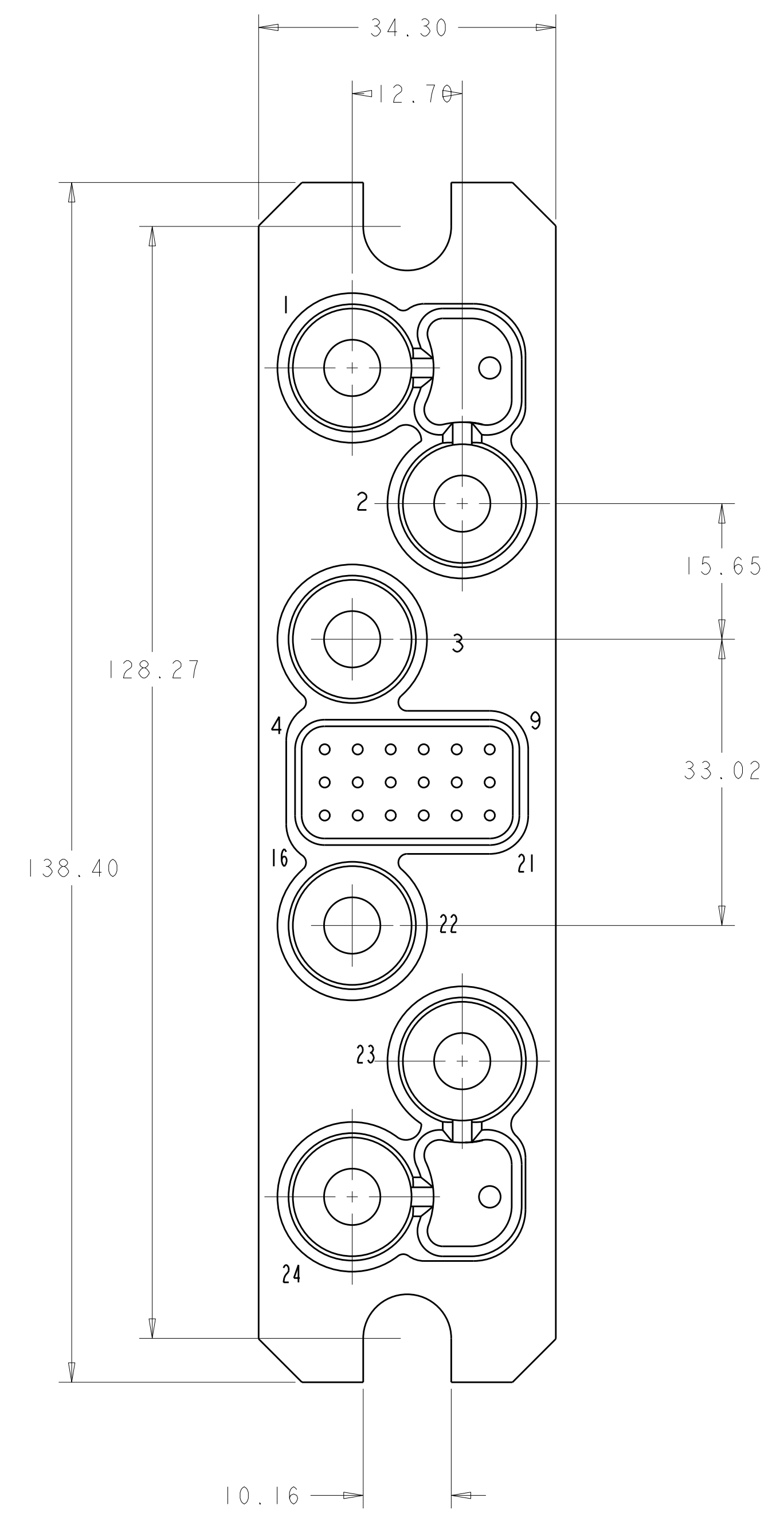


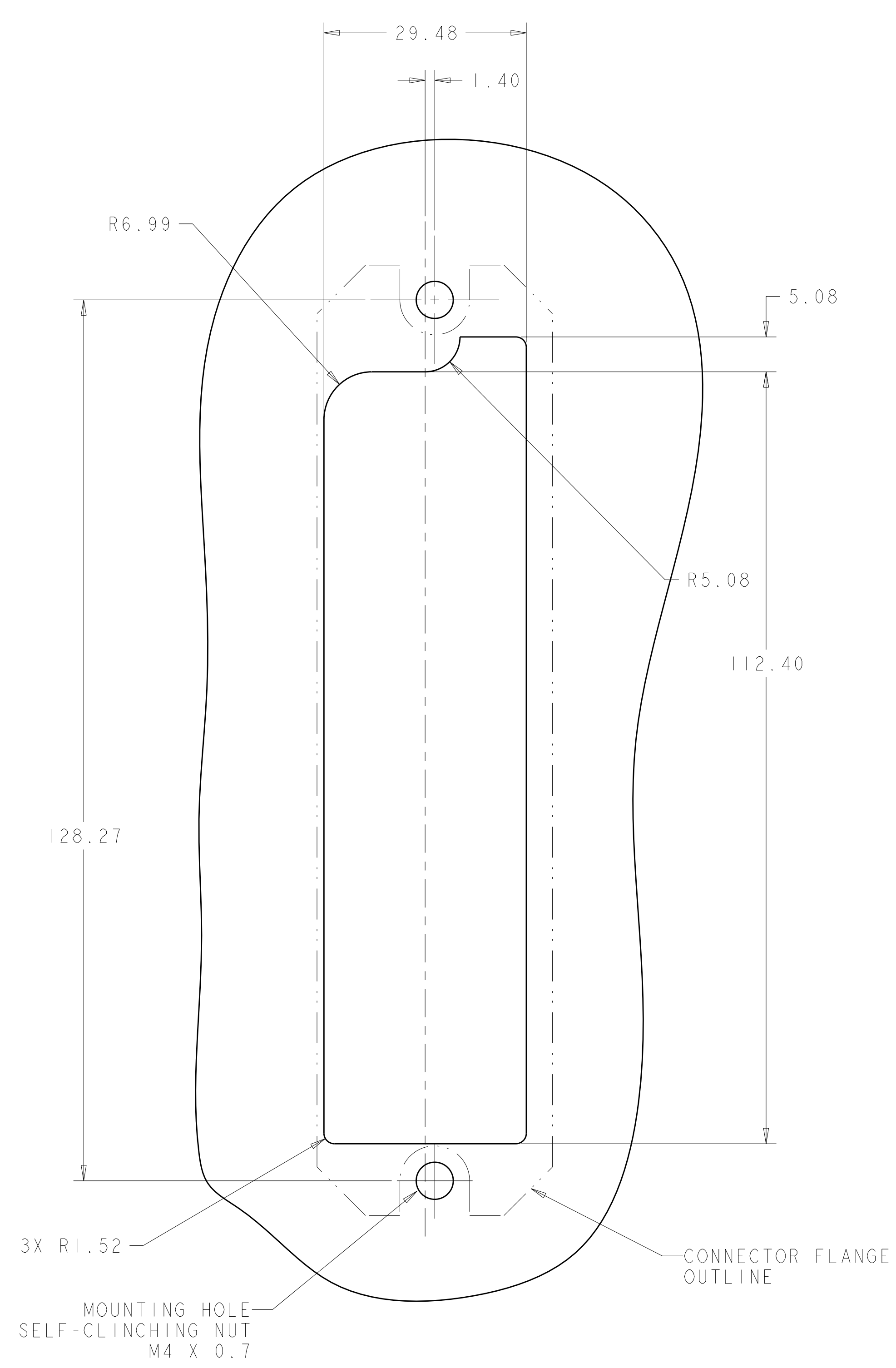
LOC	DIST	REV	DATE	DWN	APVD
GP	00	A	09OCT2008	RG	DO



ELCON CUSTOM DRAWER

DIMENSIONS: mm 		TOLERANCES UNLESS OTHERWISE SPECIFIED: 9 PLC ±.5 1 PLC ±.5 2 PLC ±.25 3 PLC ±.5 4 PLC ±.5 ANGLES ±.2 FINISH -		DWN R. GRZYBOWSKI CHK D. ORRIS APVD M. PERCHERKE PRODUCT SPEC APPLICATION SPEC WEIGHT CUSTOMER DRAWING		T0SEPT08 T0SEPT08 T0SEPT08 NAME PIN CONNECTOR ASSY P6S18 CUSTOM DRAWER SIZE CAGE CODE DRAWING NO A 100779 C-1926990 SCALE 2:1 SHEET 1 OF 2 REV A		Tyco Electronics Harrisburg, PA 17105-3608	
-----------------------	--	--	--	--	--	---	--	---	--

LOC	DIST	REVISIONS			
GP	00	REV	DATE	BY	APPD
-	-	SEE SHEET 1	-	-	-



- PART NUMBER CHANGES AND OR DESIGN CHANGES AFFECTING THE INTERCHANGEABILITY REQUIRE PRIOR TYCO ELECTRONICS APPROVAL AND AUTHORIZATION BY REVISION TO THIS DRAWING.
 - MATERIAL:
 INSULATOR: THERMOPLASTIC, GLASS REINFORCED, FLAMMABILITY RATED, COLOR: BLACK
 CONTACT: COPPER
 RETENTION CLIPS: BERYLLIUM COPPER OR STAINLESS STEEL
 SHOULDER SCREW: STAINLESS STEEL
 - FINISH:
 CONTACT SIZE #20: GOLD PLATE 0.254µm MIN THK. OVER NICKEL 1.27µm MIN THK.
 CONTACT SIZE #4 : SILVER PLATE 5.08µm OVER NICKEL 1.27µm MIN THK.
4. ITEMS PROVIDED TO THIS SPECIFICATION TO BE PERMANENTLY IDENTIFIED PER THE FOLLOWING IDENTIFIER:
- YEAR] [WEEK
- TYCO ELECTRONICS P/N DATE CODE (e.g. 0216)
- XXXXXXX-X XXXX
5. CRIMP CONTACTS AND SHOULDER SCREW (ITEMS B,C AND D) ARE PACKAGED SEPARATELY AND PLACED IN THE BOX WITH THE CONNECTOR ASSEMBLY.

SUGGESTED PANEL CUTOUT
 VIEW FROM CONNECTOR MOUNTING SIDE

2	1650589-1	SCREW, SHOULDER, FLOAT, M4 X .7	D
18	1650161-1	CONTACT, PIN, SIZE #20, CRIMP, PREMATE	C
4	1766232-1	CONTACT, PIN, SIZE #4, CRIMP, STD	B
1	6766615-2	PIN HOUSING SUBASSEMBLY	A
-1	PART NUMBER	DESCRIPTION	ITEM NO.

DIMENSIONS: mm 		TOLERANCES UNLESS OTHERWISE SPECIFIED: 9 PLC ±.5 1 PLC ±.5 2 PLC ±.25 3 PLC ±.5 4 PLC ±.5 ANGLES ±.2		DWN R. GRZYBOWSKI 10SEP08 CHK D. ORRIS 10SEP08 APVD M. PERCHERKE 10SEP08		Tyco Electronics Harrisburg, PA 17105-3608	
MATERIAL: - FINISH: -		WEIGHT: - CUSTOMER DRAWING		NAME: PIN CONNECTOR ASSY P6S18 CUSTOM DRAWER		SIZE: A 00779 C=1926990 SCALE: 2:1 SHEET 2 OF 2 REV A	

单击下面可查看定价，库存，交付和生命周期等信息

[>>TE Connectivity\(泰科\)](#)