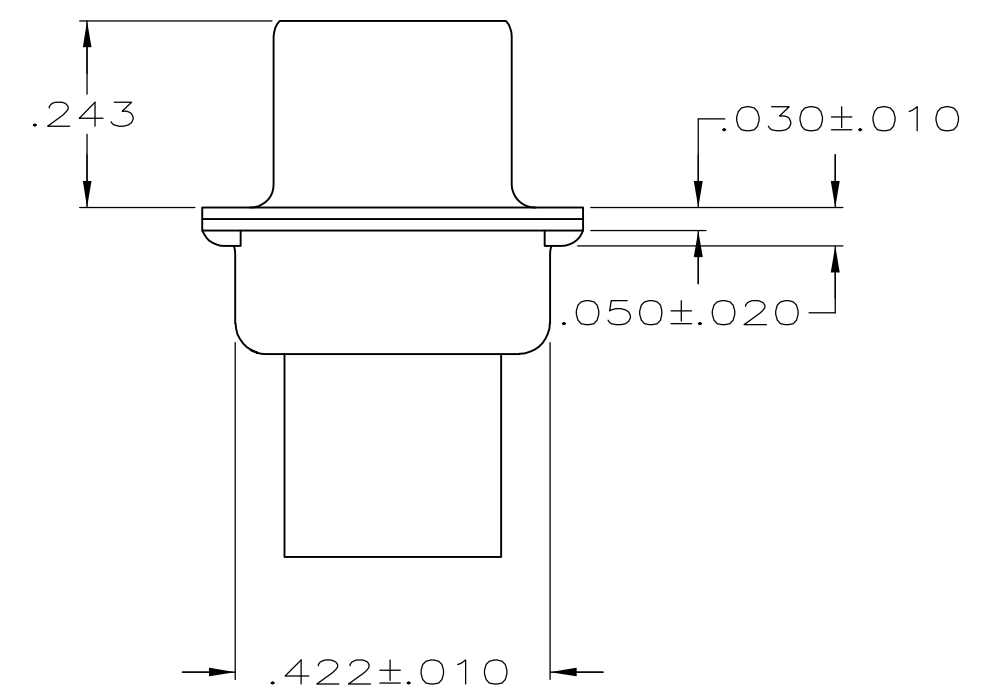
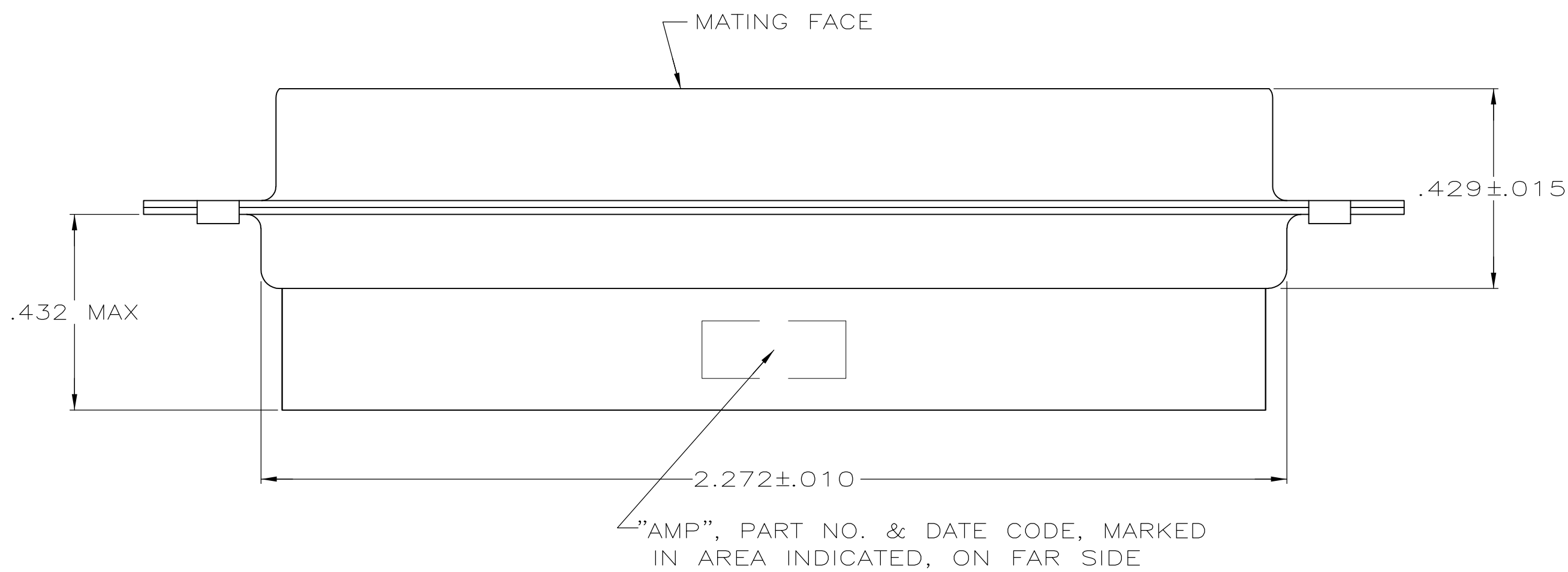
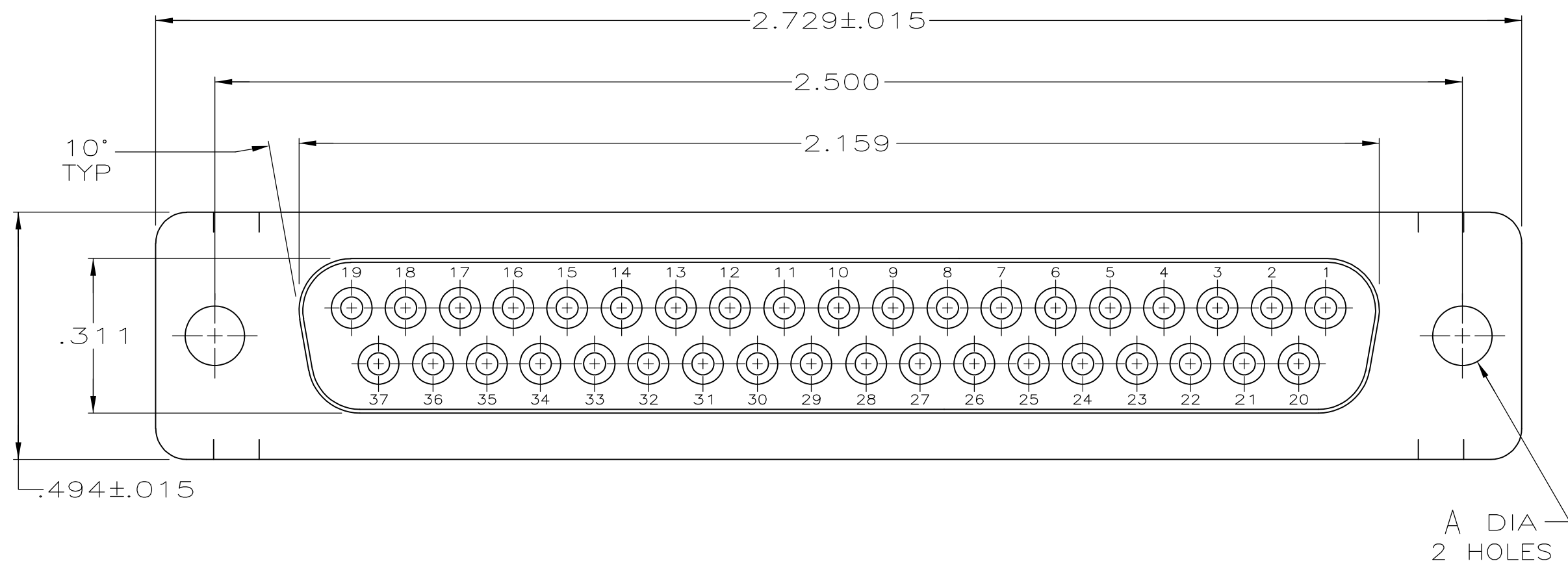


THIS DRAWING IS UNPUBLISHED. RELEASED FOR PUBLICATION  
 © COPYRIGHT - By - ALL RIGHTS RESERVED.

LOC		DIST		REVISIONS			
P	LTR	DESCRIPTION		DATE	DWN	APVD	
GP	00	L	REVISED PER ECO-14-011808	09AUG2014	AP	SB	



- CONNECTOR ACCEPTS SIZE 20 DF SOCKET CONTACTS, RETENTION TINES ARE AN INTEGRAL PART OF INSERT.
- CONNECTOR COMPLIES WITH 108-40005 WHERE APPLICABLE.
- GLASS-FILLED PBT OR GLASS-FILLED NYLON, UL94V-0 RATED. COLOR: BLACK
- STEEL PER ASTM A109.
- ZINC PLATED PER ASTM B633; TYPE II; CLASS SC1; YELLOW CHROMATE.
- TIN OR TIN-LEAD PLATED PER MIL-T-10727.
- TIN PLATED PER MIL-T-10727 OVER COPPER PER MIL-C-14550.
- ZINC PLATED .000200-.000400 THICK, YELLOW TRIVALENT CHROMIUM CHROMATE COATING.

PACKAGING TYPE	SHELL FINISH	A	PART NUMBER
STANDARD	8	.120	205209-7
SMALL PACK	5	.120	205209-6
STANDARD	6	.154	205209-3
STANDARD	7	.120	205209-2
STANDARD	5	.120	205209-1

SUPERSEDED BY 205209-1  
 OBSOLETE

THIS DRAWING IS A CONTROLLED DOCUMENT.

DWN S.WELDON 7-19-85	TE Connectivity
CHK J.GERACE 7-29-85	
APVD -	NAME
PRODUCT SPEC -	RECEPTACLE CONNECTOR, SIZE 4, 37 POSITION, AMPLIMITE HDP
APPLICATION SPEC -	SIZE CAGE CODE DRAWING NO RESTRICTED TO
WEIGHT -	A2 00779 C-205209
CUSTOMER DRAWING	SCALE 4:1 SHEET 1 of 1 REV L

单击下面可查看定价，库存，交付和生命周期等信息

[>>TE Connectivity\(泰科\)](#)

[>>点击查看相关商品](#)