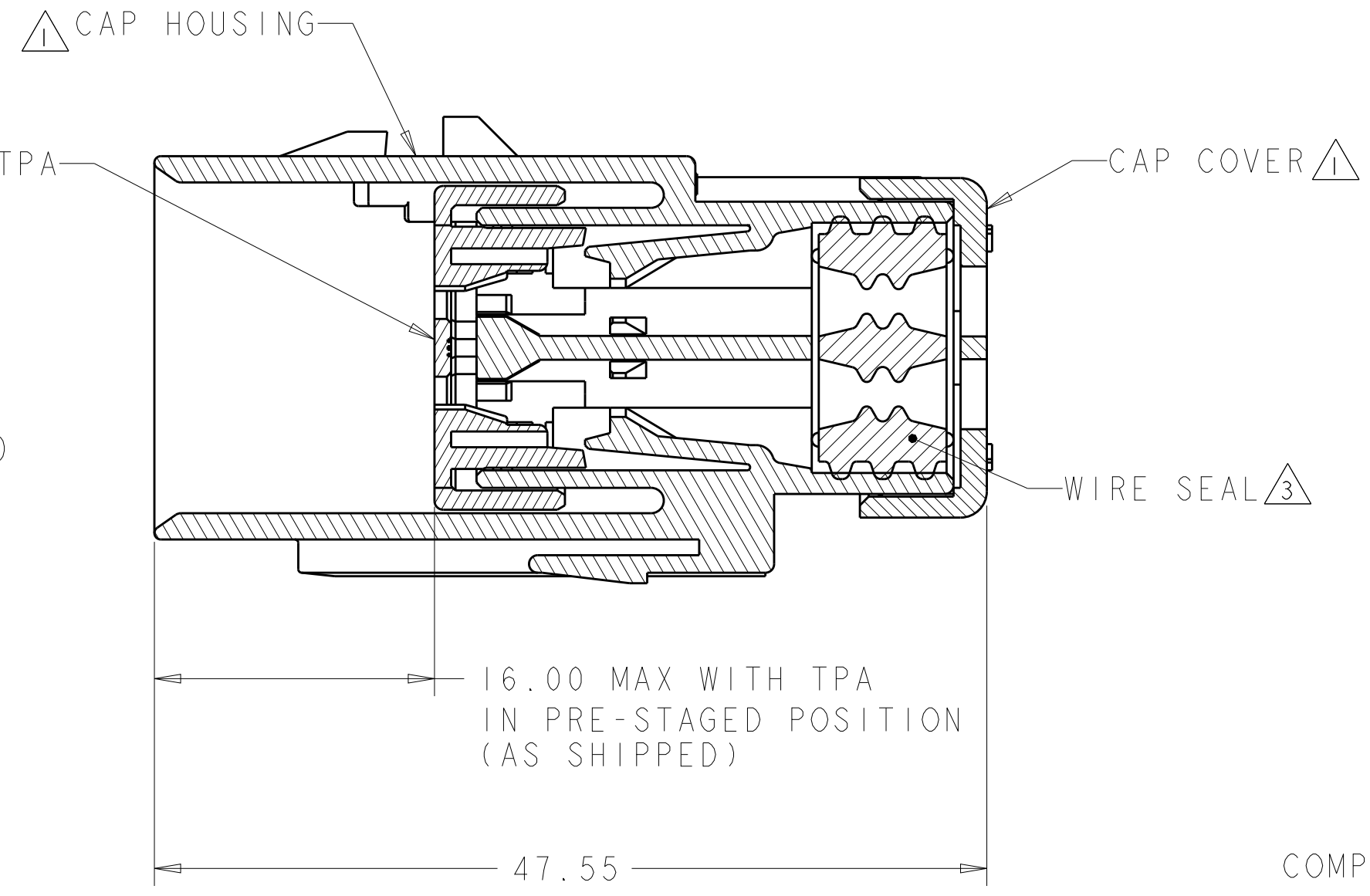
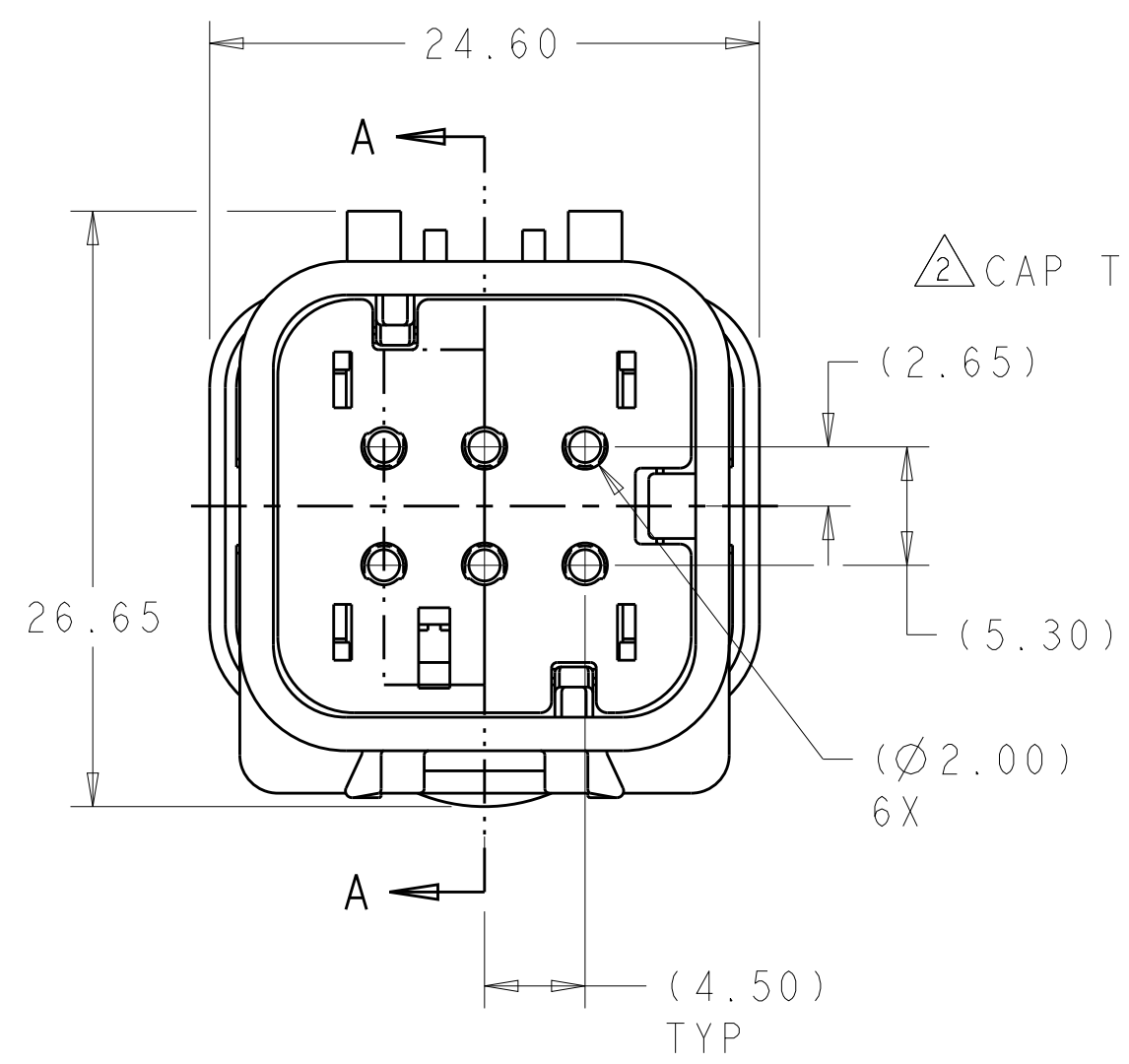


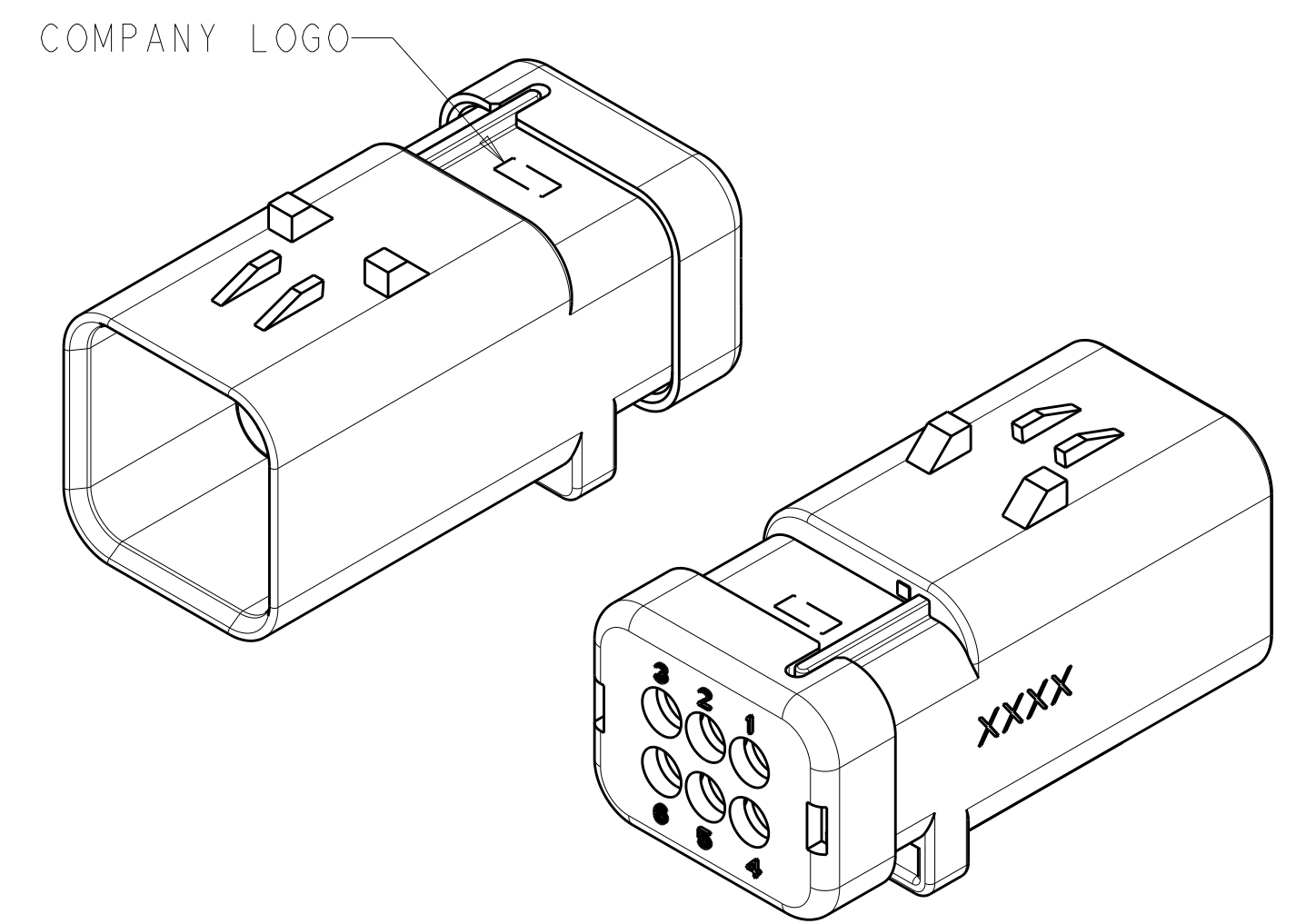
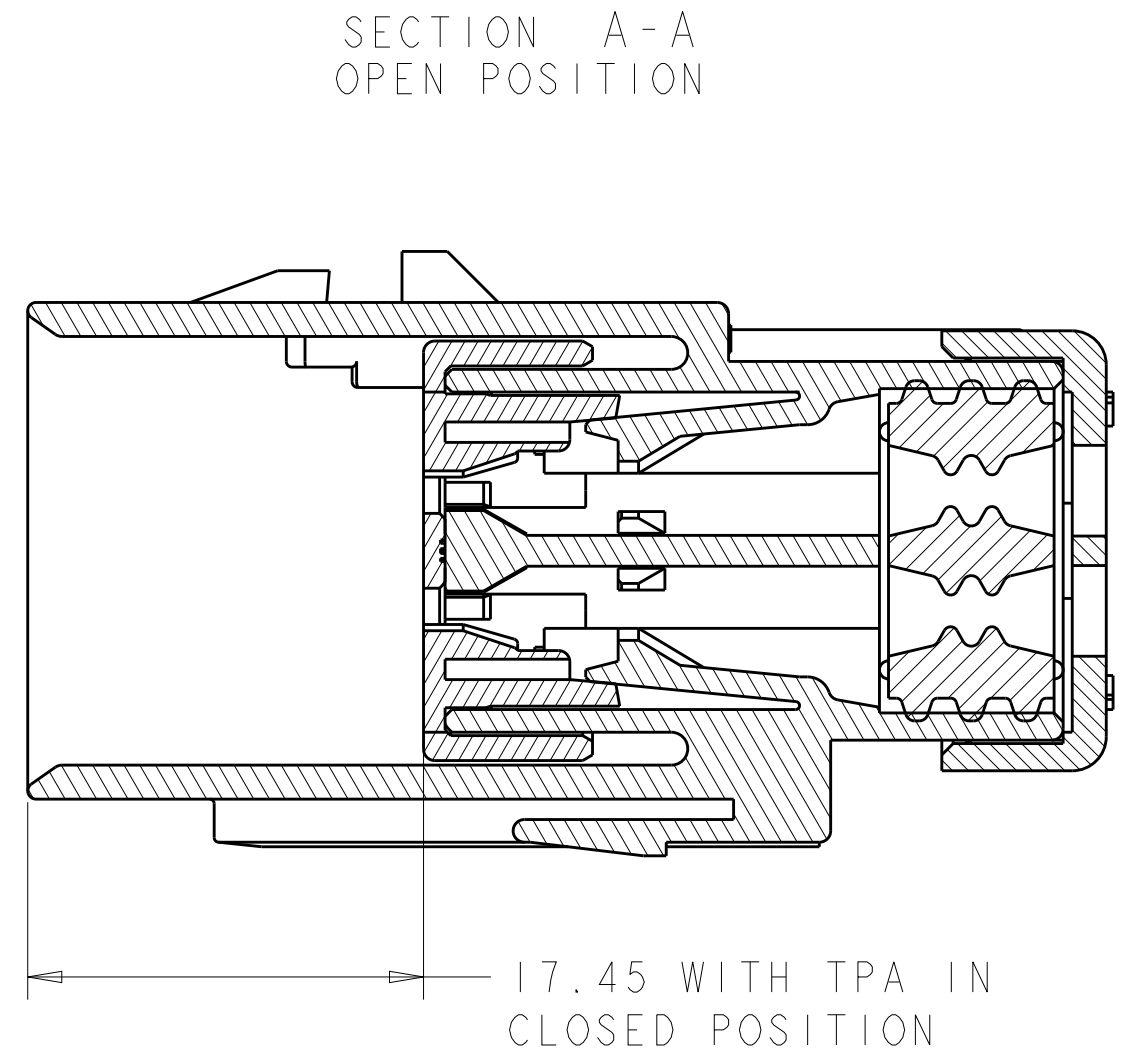
THIS DRAWING IS UNPUBLISHED. RELEASED FOR PUBLICATION 20
 © COPYRIGHT 20 BY - ALL RIGHTS RESERVED.

REVISIONS					
P	LTR	DESCRIPTION	DATE	DWN	APVD
A		RELEASED PER ECO-10-009942	28MAY2010	DD	RB
B		REVISED PER ECO-13-019865	27DEC2013	DR	RB



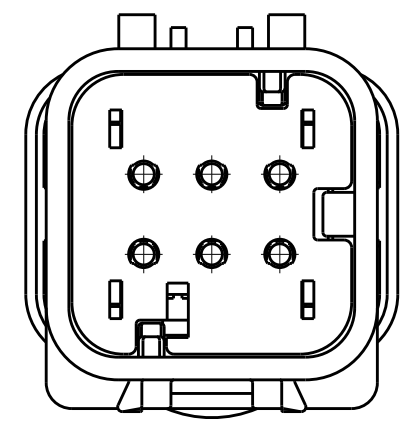
- 1 HOUSING AND COVER MATERIAL: 25% GLASS FILLED THERMOPLASTIC; COLOR: NATURAL (BROWN)
- 2 TPA MATERIAL: 15% GLASS FILLED THERMOPLASTIC COLOR: (SEE TABLE)
- 3 SEAL MATERIAL: SILICONE COLOR: MARINE BLUE
- 4. RECOMMENDED WIRE DIAMETER RANGE IS 2.18-3.67 MM

2098241-1 SHOWN
ORANGE TPA
KEY A

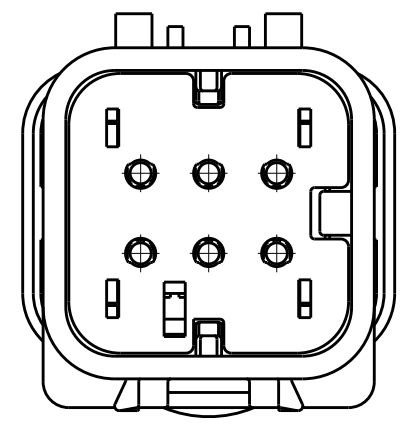


SCALE 2:1

C	BLUE	2098241-3
B	PURPLE	2098241-2
A	ORANGE	2098241-1
KEY	TPA COLOR	PART NUMBER



2098241-2
PURPLE TPA
KEY B
SCALE 2:1



2098241-3
BLUE TPA
KEY C
SCALE 2:1

SECTION A-A
CLOSED POSITION

THIS DRAWING IS A CONTROLLED DOCUMENT.		DWN 05 JUN 2009 RUSTY WORTHINGTON	TE Connectivity
DIMENSIONS: mm		CHK 05 JUN 2009 ROGER BALTER	
TOLERANCES UNLESS OTHERWISE SPECIFIED:		APVD 05 JUN 2009 ROGER BALTER	NAME CAP ASSEMBLY, 6 POSITION, DUAL ROW, AMPSEAL 16, VO MATERIAL
0 PLC ±	1 PLC ±0.5	PRODUCT SPEC 108-2184	SIZE CAGE CODE DRAWING NO RESTRICTED TO
2 PLC ±0.30	3 PLC ±	APPLICATION SPEC 114-13065	A200779 C-2098241
4 PLC ±	ANGLES ±	WEIGHT 15.5±1g	SCALE 3:1 SHEET OF REV B
MATERIAL	FINISH	CUSTOMER DRAWING	

单击下面可查看定价，库存，交付和生命周期等信息

[>>TE Connectivity\(泰科\)](#)