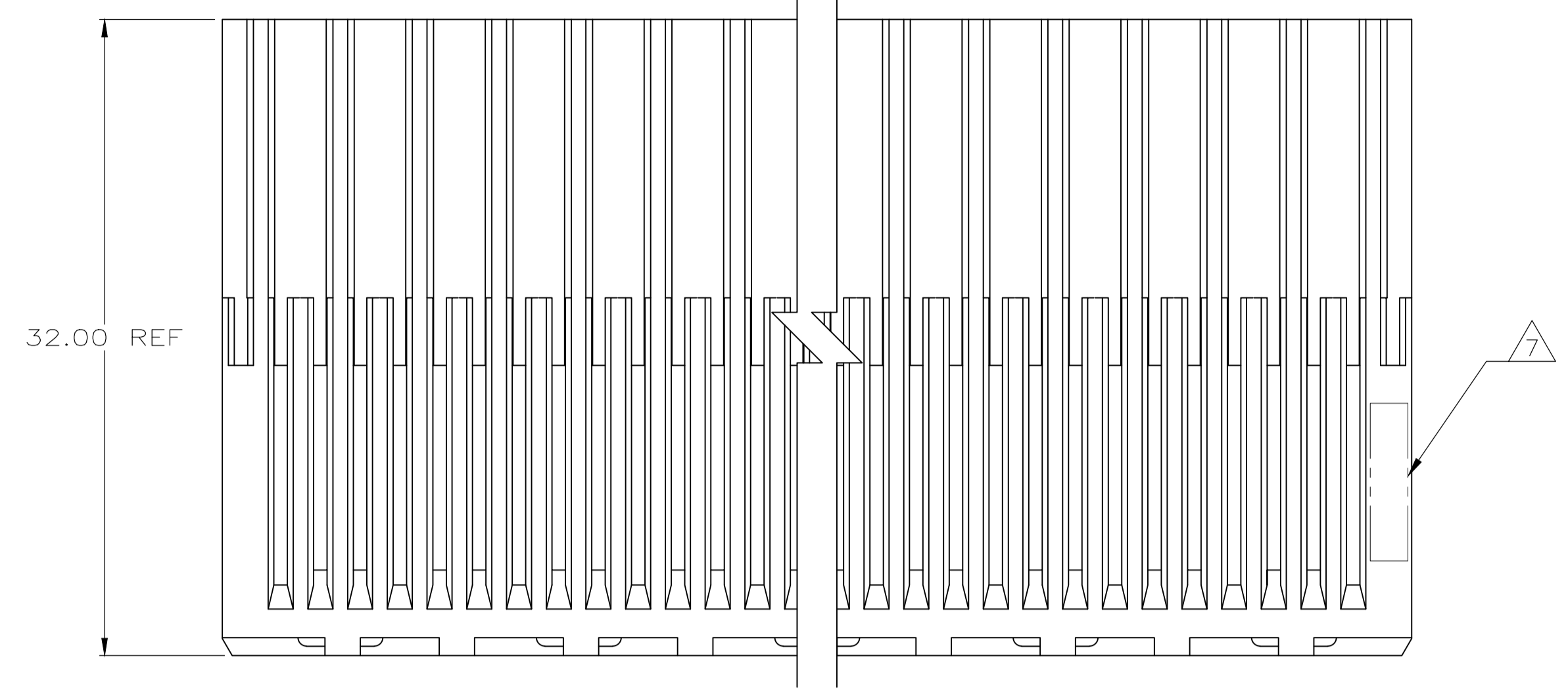
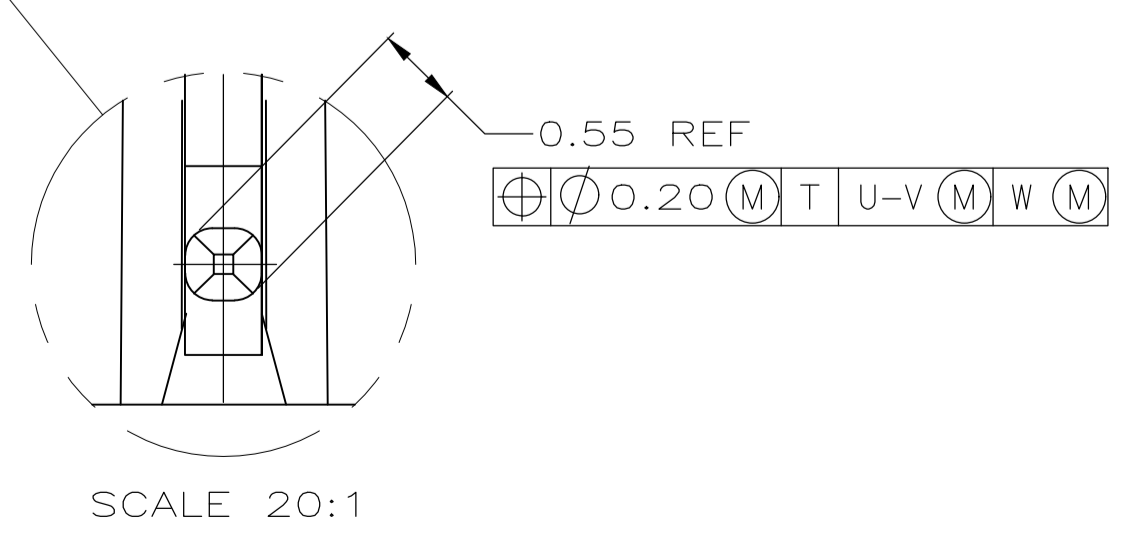
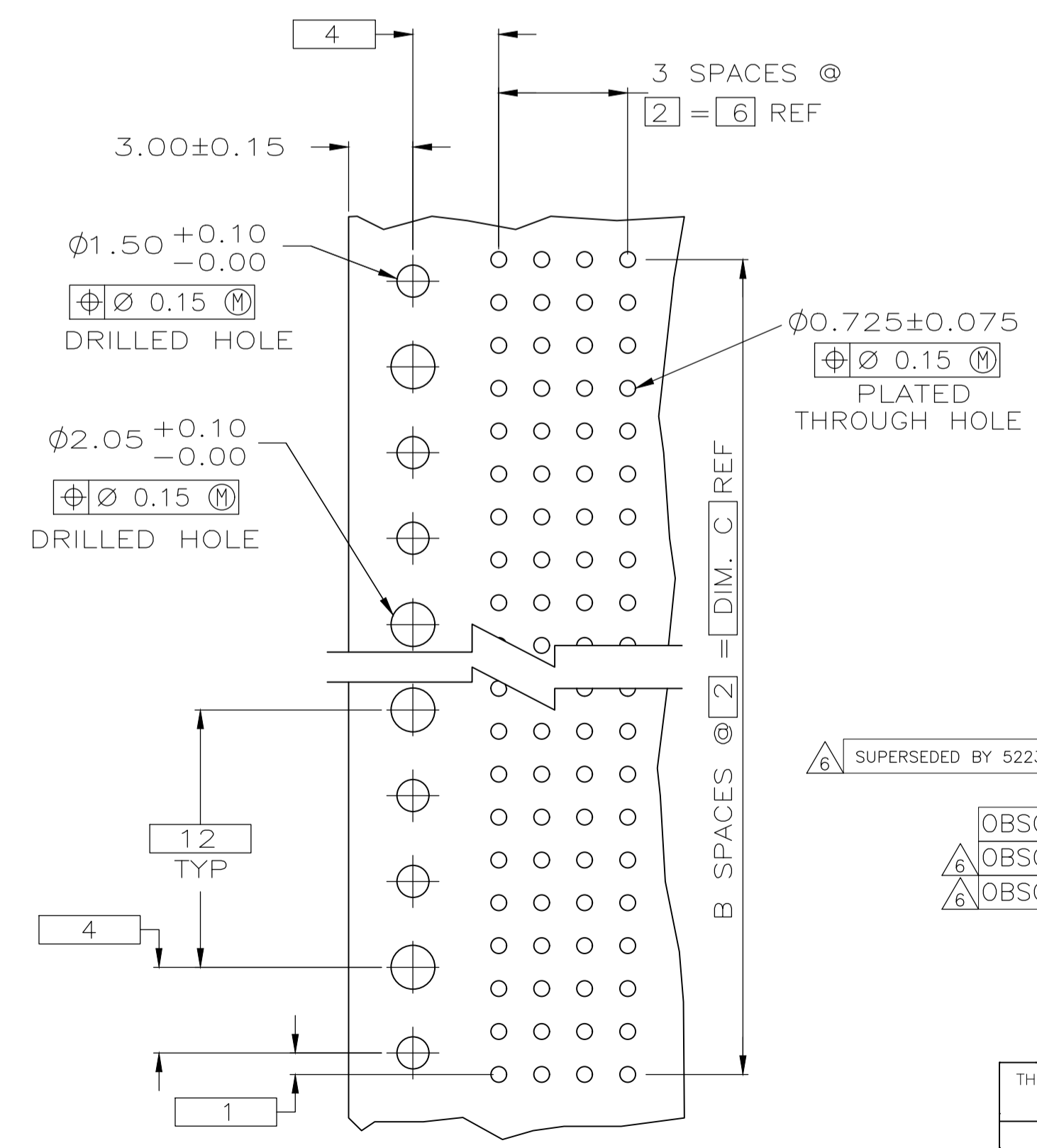
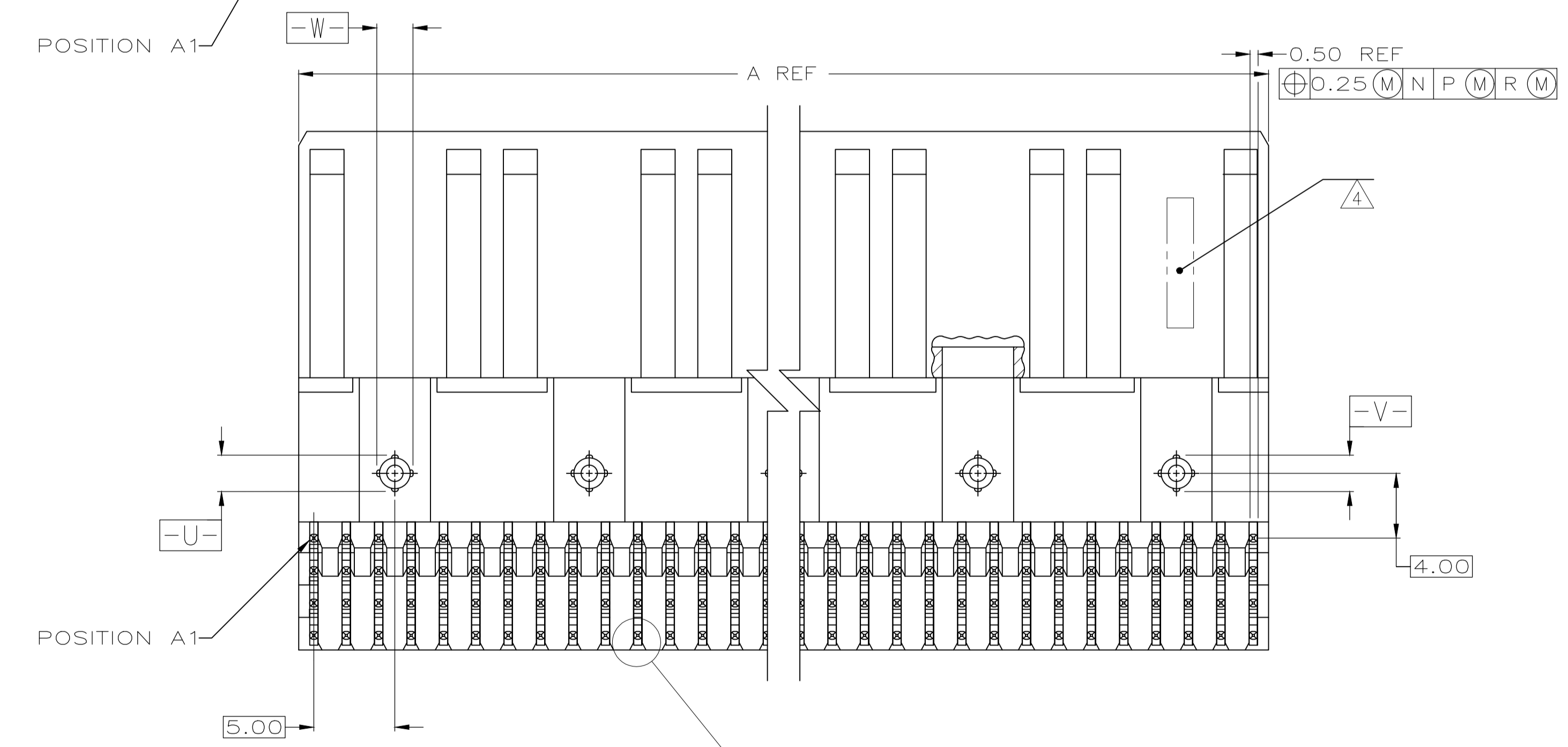
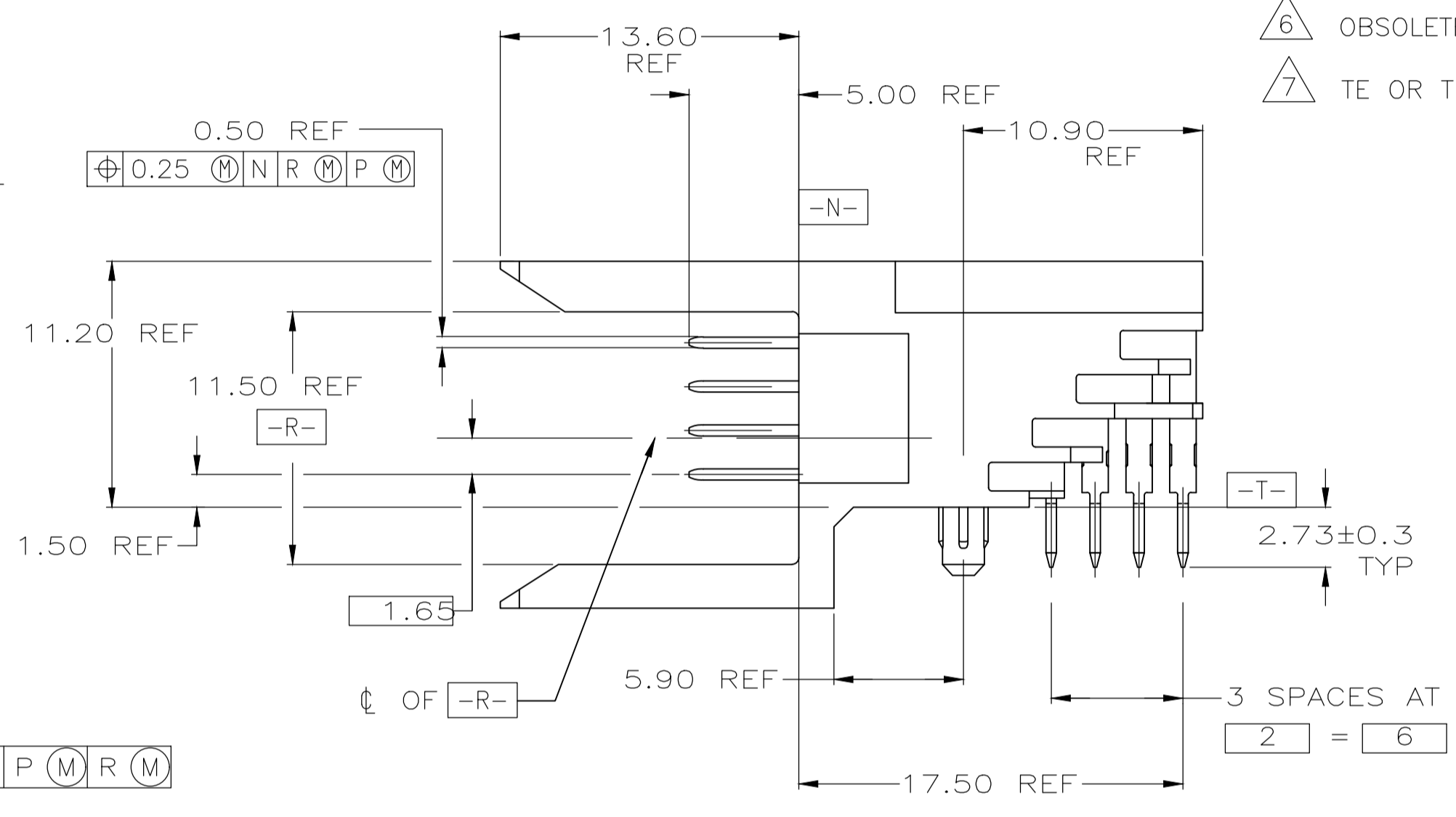
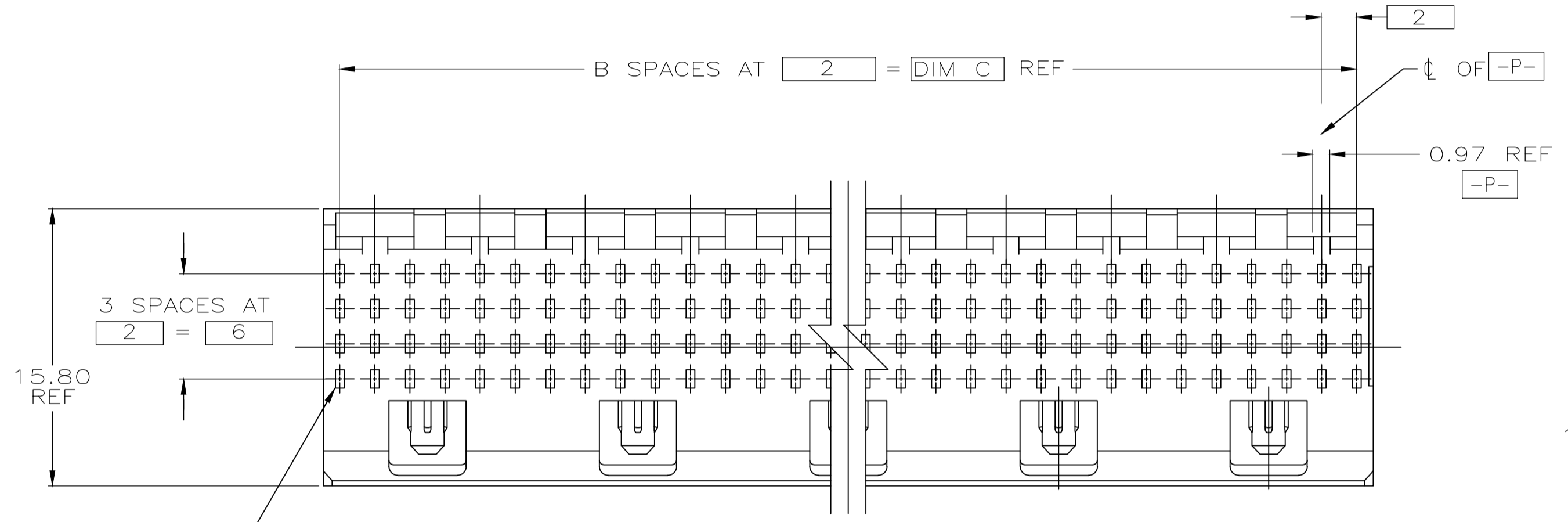


REVISIONS				
REV	DATE	DESCRIPTION	BY	APP'D
T	12DEC2019	REVISED PER ECO-19-011596	DS	HL



- △ HOUSING MATERIAL: LIQUID CRYSTAL POLYMER
COLOR: NATURAL.
- △ CONTACT MATERIAL: PHOSPHOR BRONZE PER UNS
ALLOY NO. C51100, TEMPER: H04.
- △ CONTACT FINISH:
UNDERPLATE (ENTIRE CONTACT):
0.00127 MIN NICKEL.
ON MATING SURFACES:
CONFORMS TO ALL TESTING SPECIFIED FOR TELCORDIA
UNCONTROLLED ENVIRONMENT.
ON LEADS
0.00381 MIN TIN-LEAD OVER UNDERPLATE.
LUBRICATION (ENTIRE CONTACT):
SURFACE CONDITIONER PER AMP SPEC 112-1002 AFTER PLATING.
- △ PART MARKING PER TE CONNECTIVITY SPEC 115-9009 LOCATED APPROXIMATELY
AS SHOWN BETWEEN RIBS/SLOTS ON EITHER SIDE OF HOUSING AT
MANUFACTURER'S DISCRETION.
- △ PART TO BE MARKED WITH DATE CODE ONLY.
- △ OBSOLETE PARTS: OBSOLETE CIS STREAMLINING PER D.RENAUD/D.SINISI
- △ TE OR TE CONNECTIVITY LOGO IS LOCATED.



REV	DATE	DESCRIPTION	BY	APP'D	NO. OF POSN	PART NUMBER
△ 1	06/JUL/95	82	41	83.88	168	223513-8
△ 2	04/AUG/95	34	17	35.88	72	223513-7
△ 3	08/AUG/95	58	29	59.88	120	223513-6
△ 4		70	35	71.88	144	223513-5
△ 5		94	47	95.88	192	223513-4
△ 6		46	23	47.88	96	223513-3
△ 7		22	11	23.88	48	223513-2
△ 8		10	5	11.88	24	223513-1

RECOMMENDED CIRCUIT PATTERN
PER IPC-D300 TYPE II, CLASS C
(COMPONENT SIDE)

THIS DRAWING IS A CONTROLLED DOCUMENT.

DMN: R. BUCHHEISTER 06/JUL/95
CHK: D. BAECHTLE 04/AUG/95
APP'D: D. BAECHTLE 08/AUG/95

TE Connectivity

ASSEMBLY, PIN, SIGNAL,
RIGHT ANGLE, 4 ROW, Z-PACK 2mm FB

SIZE: A1 CAGE CODE: 00779 DRAWING NO: 223513
WEIGHT: 0.000000

CUSTOMER DRAWING SCALE: 4:1 SHEET: 1 OF 1 REV: T

单击下面可查看定价，库存，交付和生命周期等信息

[>>TE Connectivity\(泰科\)](#)