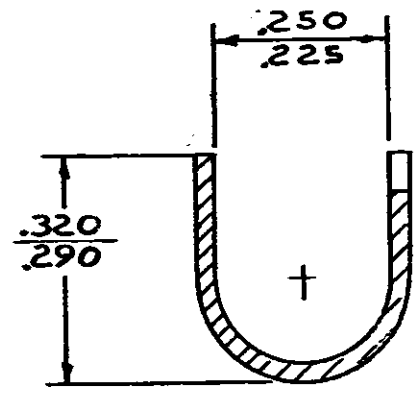
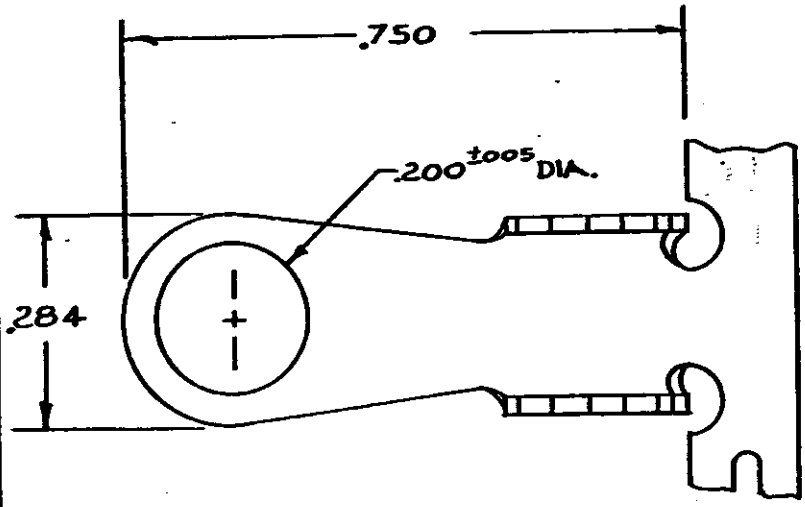
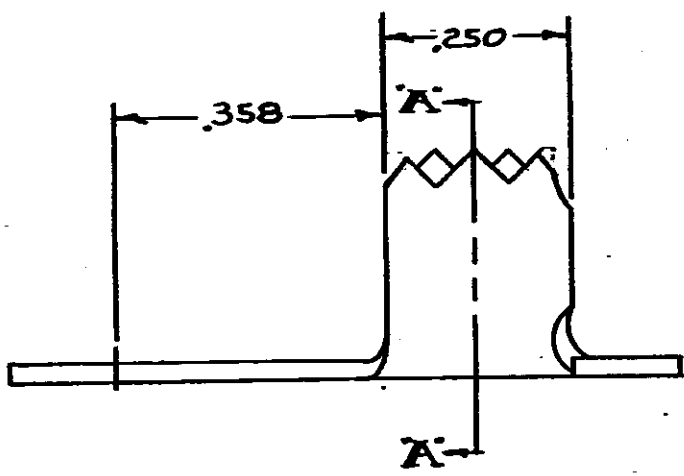


NUMBER
61520

5



SECT A-A



TERMINAL
NUMBER
61520-1

DIMENSIONS IN INCHES. DO NOT SCALE PRINT.

Unauthorized copy not to be reproduced or published without written permission of AMP Inc.

©1968 BY AMP INCORPORATED, ALL RIGHTS RESERVED. AMP PRODUCTS COVERED BY PATENTS AND/OR PATENTS PENDING.

**CUSTOMER COPY
REFERENCE ONLY**

MATERIAL AND FINISH
.025 ALUM.
NONE

AMP AMP INCORPORATED
HARRISBURG, PENNA.

WIRE — RANGE — INSULATION
— ~~N~~ — 180-230

CLASS — N —
TYPE — N —

TOLERANCE EXCEPT AS NOTED
± .015 ± 1°

LOC AF A NO 61520 REV B

NAME STRAIN RELIEF TONGUE

| | | | |
|-----------------|-----------------|---------------|----------|
| B | REV PER AF-7849 | PAF | 3/6/68 |
| A | RELEASED | NCH | 2/1/69 |
| LTR | REVISION RECORD | DR | CHK DATE |
| DR | 11-27-68 | DE | 12-3-68 |
| N. E. NEFF | | JIM PRITULSKY | |
| CHK | 12-3-68 | APP | |
| M. A. 711 line. | | | |

PRINT DIST
50

单击下面可查看定价，库存，交付和生命周期等信息

[>>TE Connectivity\(泰科\)](#)