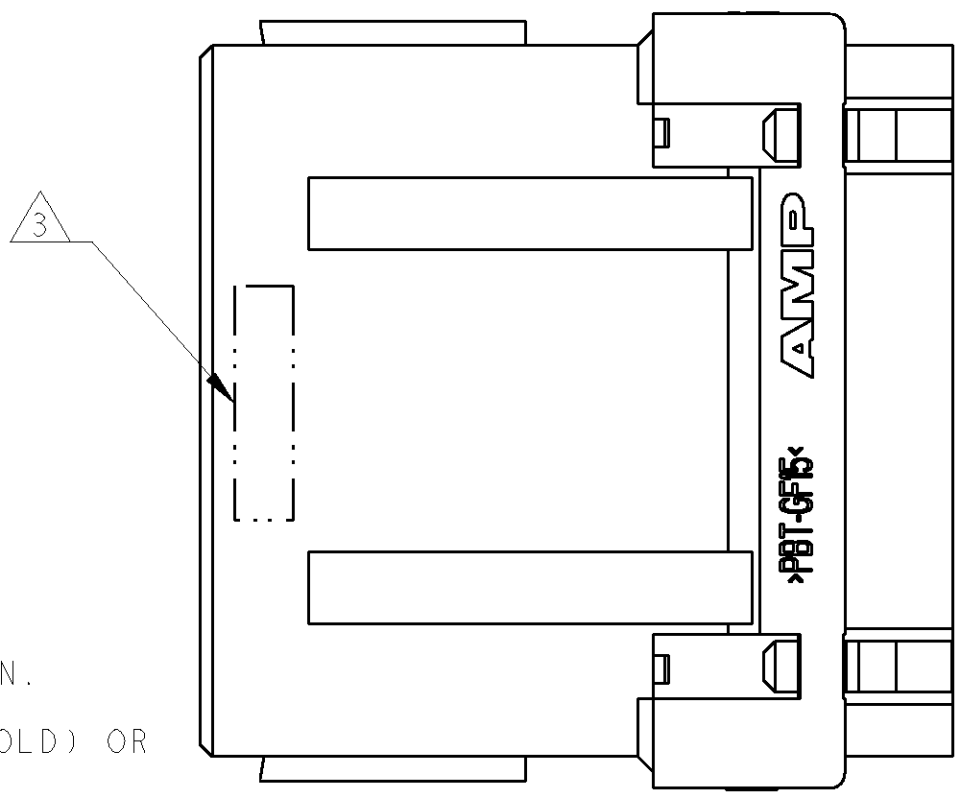
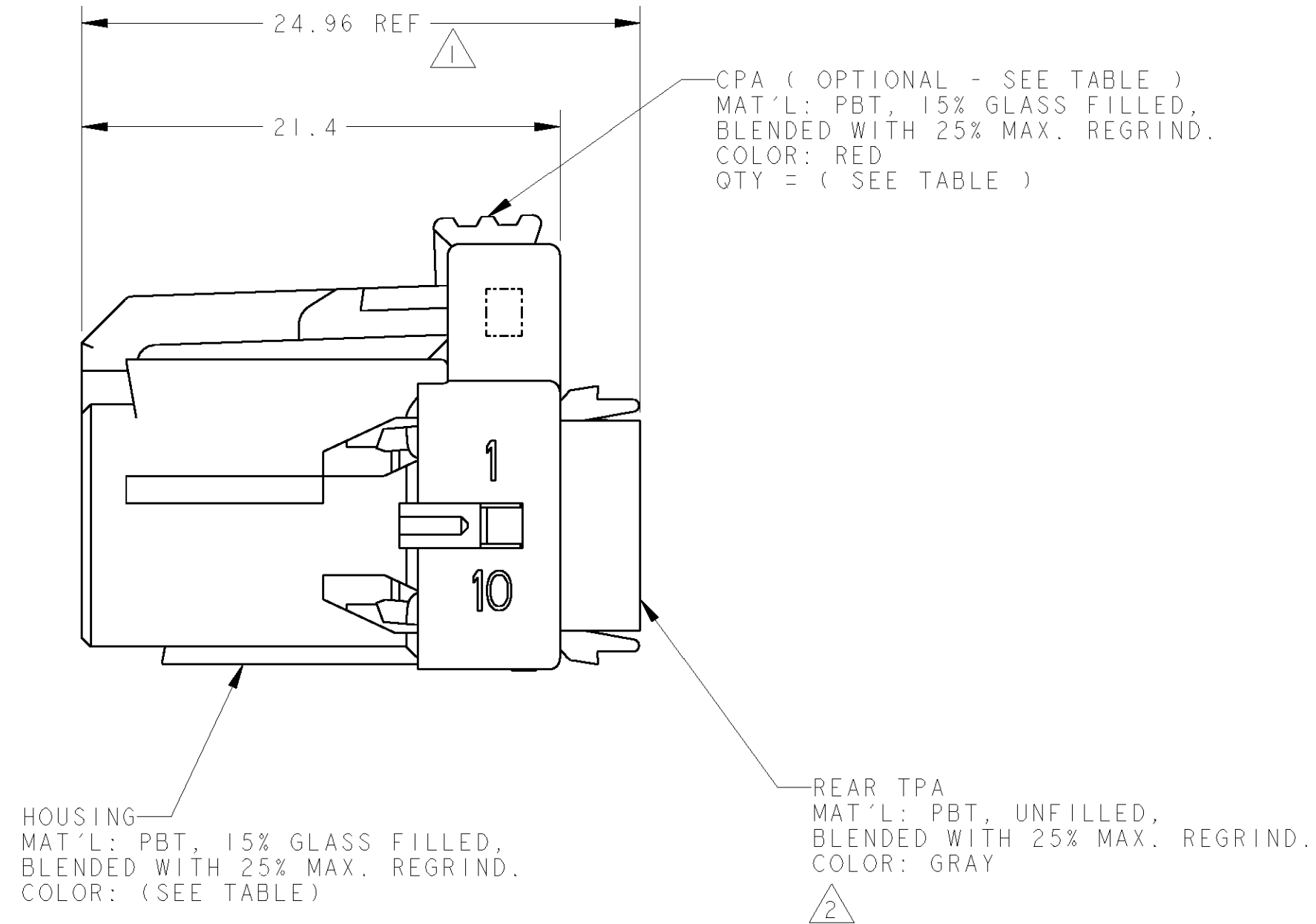
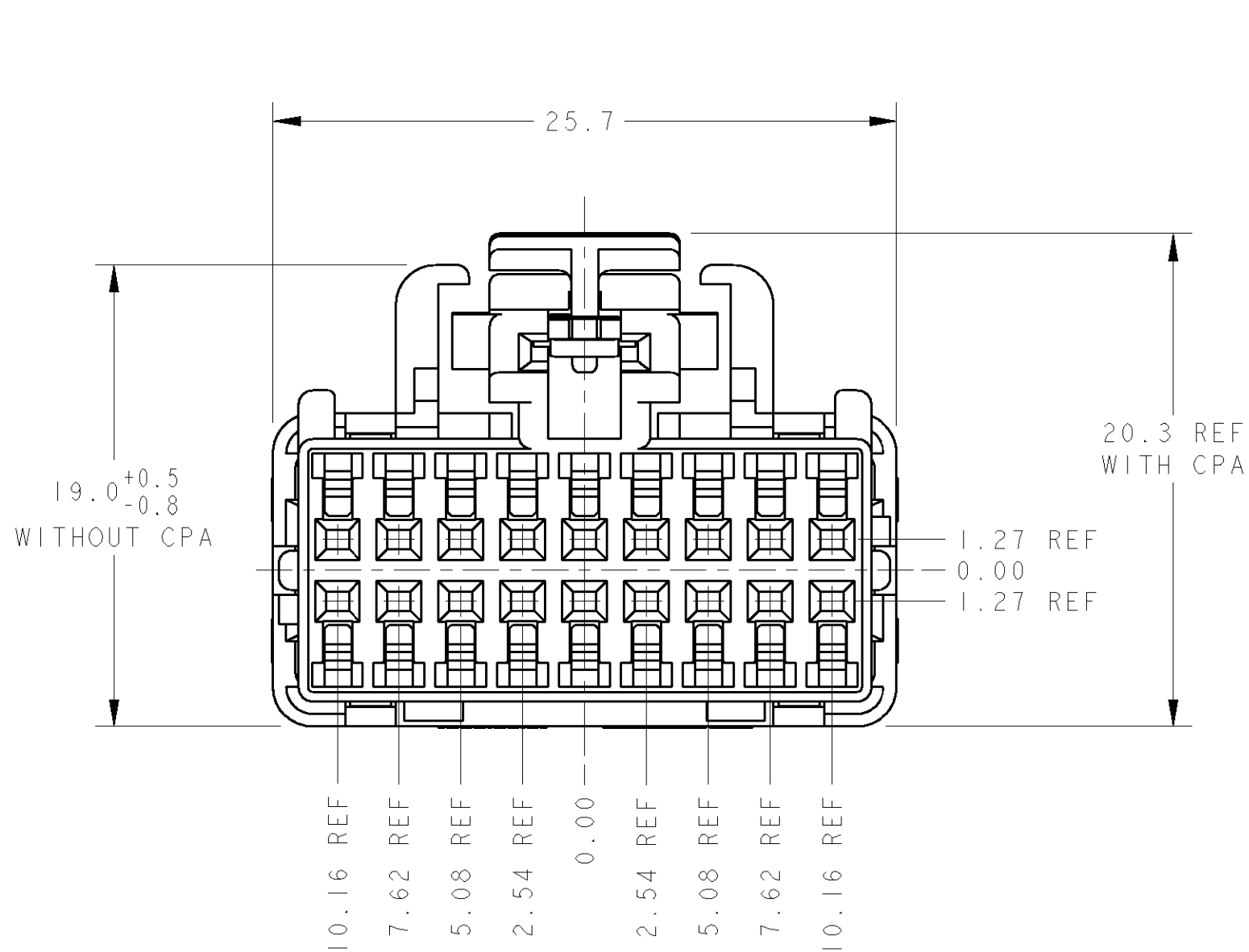


THIS DRAWING IS UNPUBLISHED. RELEASED FOR PUBLICATION  
 © COPYRIGHT 19 BY TYCO ELECTRONICS CORPORATION. ALL RIGHTS RESERVED.

LOC	DIST	REVISIONS			
P	LTR	DESCRIPTION	DATE	DWN	APVD
FX	00				
	O	RELEASED PER NPR 2001005	23JAN2001	DWF	AME
	A	0K80-0031-01	13MAR2001	JRB	AME
	B	0K80-0048-01	23MAR2001	JRB	AME
	C	0K80-0124-01	25MAY2001	JRB	AME



- 1. 638397-7 SHOWN.
- 2 TPA SHOWN IN PRE-LATCHED POSITION.
- 3 MARK 4 DIGIT JULIAN DATE CODE (DDDY) IN APPROXIMATE AREA SHOWN.
- 4. TERMINALS SOLD SEPARATELY, SEE AMP RECOMMENDED P/N 1326028 (GOLD) OR 638551 (TIN) FOR TERMINATION AND REELING OPTIONS.
- 5. THIS PRODUCT HAS MINIMUM MIMATING FORCE OF 100 NEWTONS.

OBSOLETE			1-638397-2
NATURAL	I	"E"	1-638397-1
GREEN	I	"D"	1-638397-0
BLUE	I	"C"	638397-9
YELLOW	I	"B"	638397-8
BLACK	I	"A"	638397-7
OBSOLETE			638397-6
NATURAL	N/A	"E"	638397-5
GREEN	N/A	"D"	638397-4
BLUE	N/A	"C"	638397-3
YELLOW	N/A	"B"	638397-2
BLACK	N/A	"A"	638397-1
COLOR	CPA QTY	KEYING ARRANGEMENT (SEE SHEET 2)	PART NUMBER

THIS DRAWING IS A CONTROLLED DOCUMENT FOR TYCO ELECTRONICS CORPORATION. IT IS SUBJECT TO CHANGE AND THE CONTROLLING ENGINEERING ORGANIZATION SHOULD BE CONTACTED FOR THE LATEST REVISION.

DWN: K. FOLTZ 26AUG99  
 CHK: A. EBRAHEEM 23JAN2001  
 APVD: G. BALON 23JAN2001

AMP Incorporated  
 Harrisburg, PA 17105-3608

NAME: PLUG ASSEMBLY, UNSEALED, 18 POSITION, 0.64mm CONNECTOR

PRODUCT SPEC: SAE/USCAR-2 8/97  
 APPLICATION SPEC: -

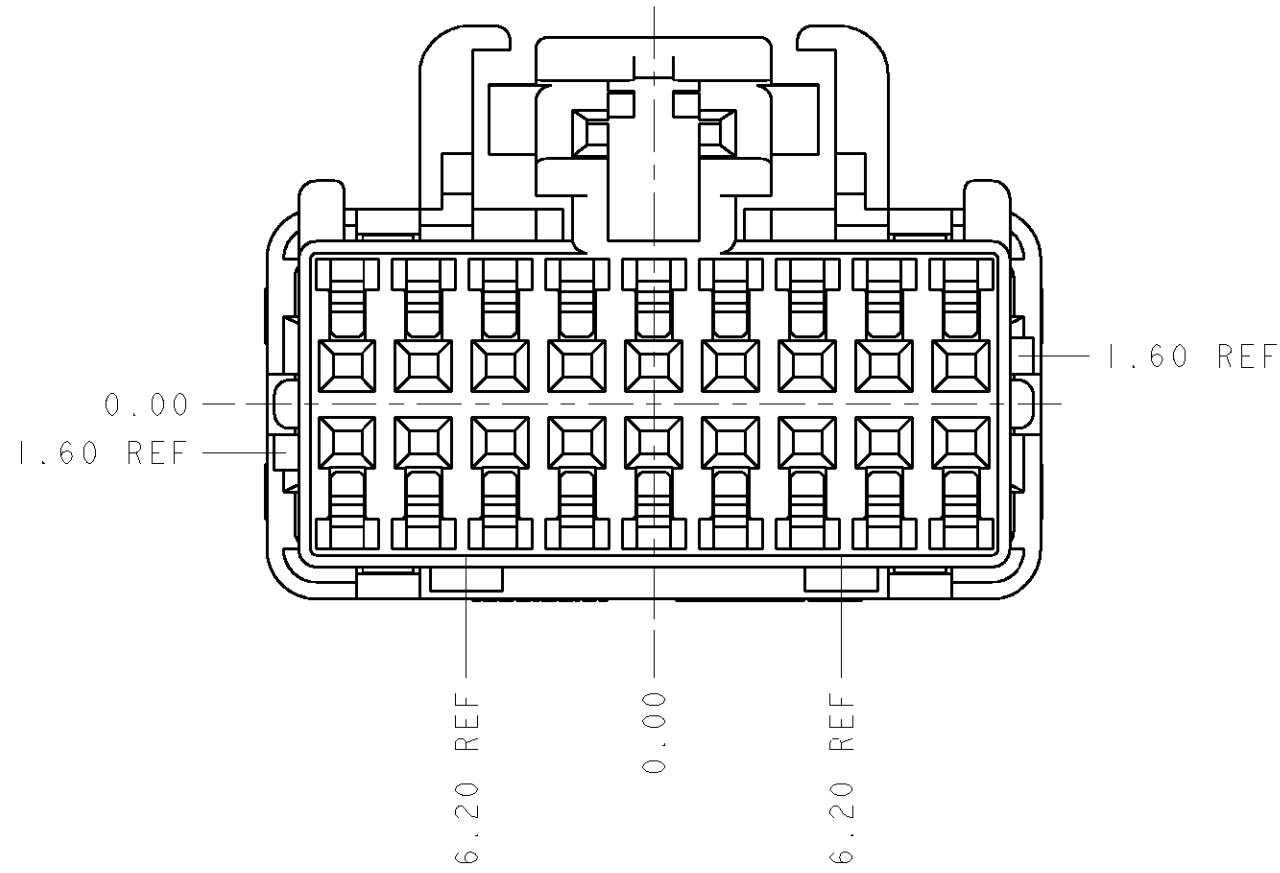
SIZE: A2 CAGE CODE: 00779 DRAWING NO: 638397 RESTRICTED TO: -

WEIGHT: -

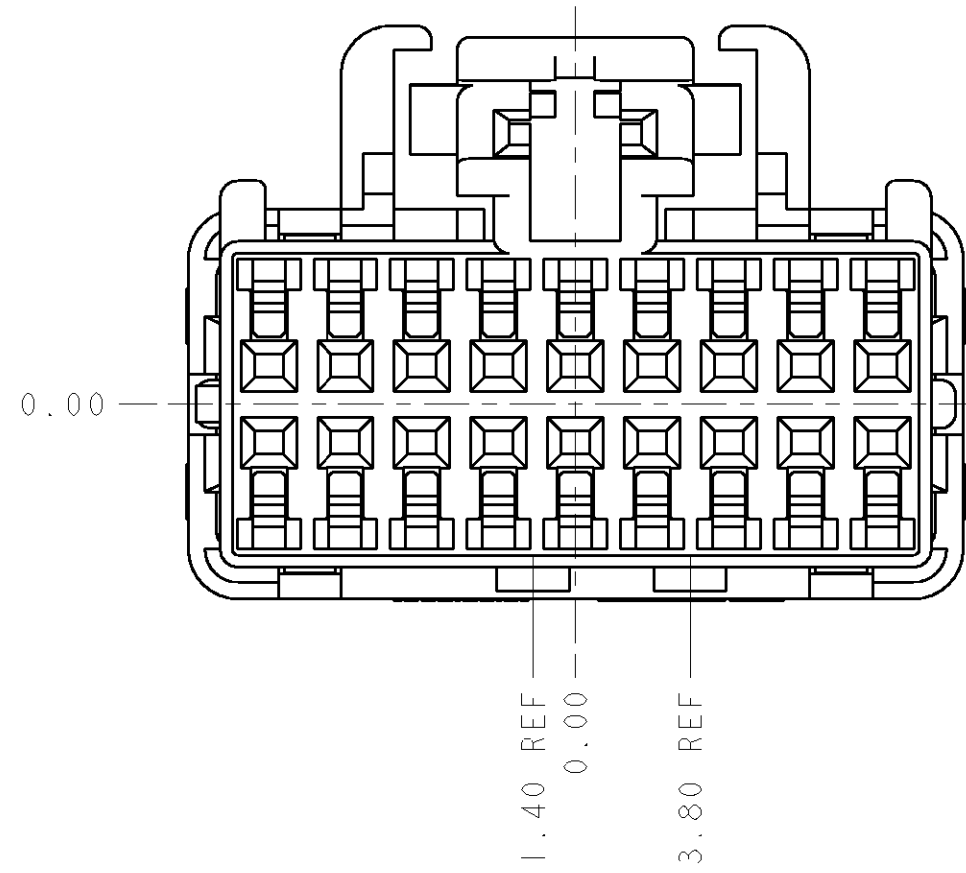
CUSTOMER DRAWING SCALE: 4:1 SHEET 1 OF 2 REV C

THIS DRAWING IS UNPUBLISHED. RELEASED FOR PUBLICATION  
 © COPYRIGHT 19 BY TYCO ELECTRONICS CORPORATION. ALL RIGHTS RESERVED.

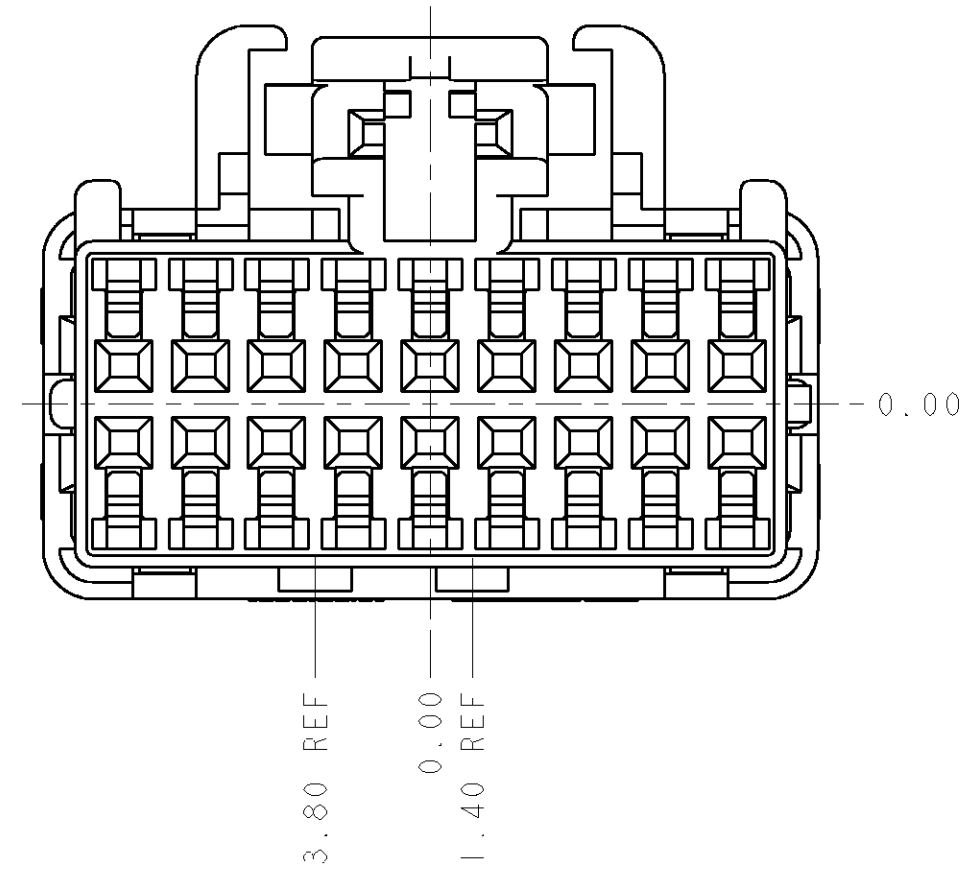
LOC	DIST	REVISIONS			
P	LTR	DESCRIPTION	DATE	DWN	APVD
FX	00	-	SEE SHEET 1	-	-



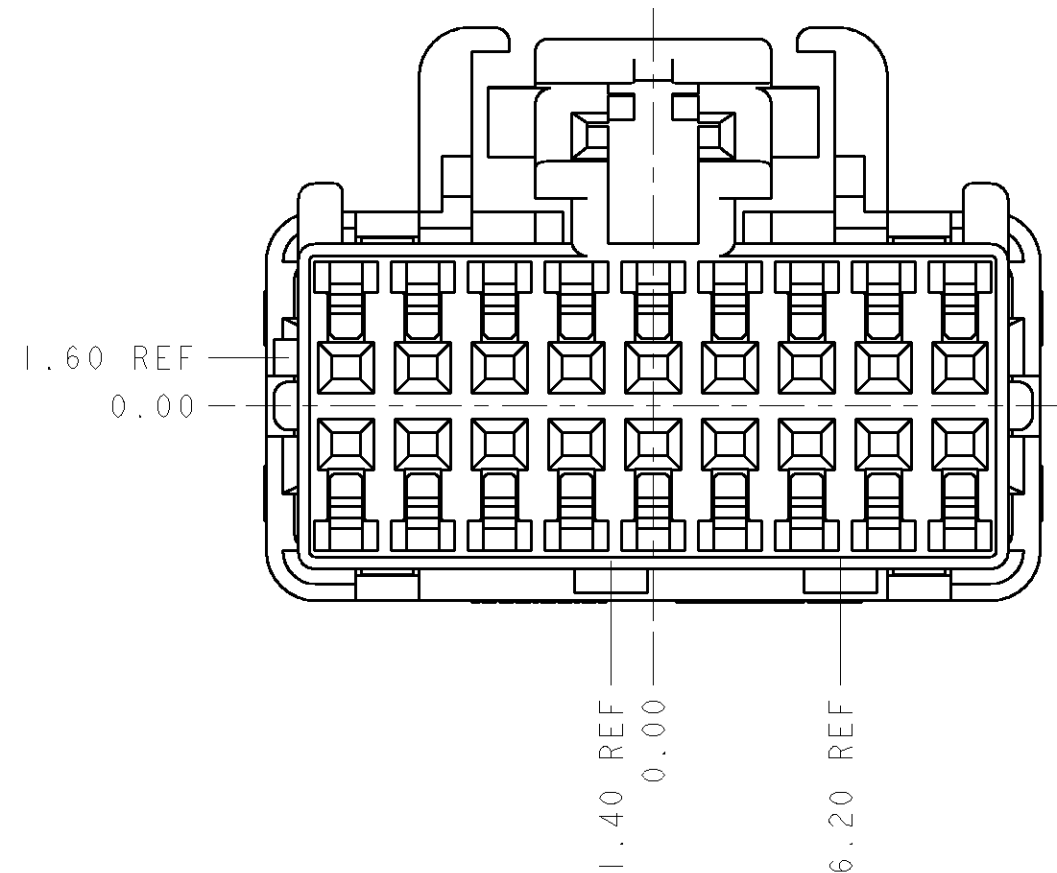
KEY CODE "A"  
SCALE 4:1



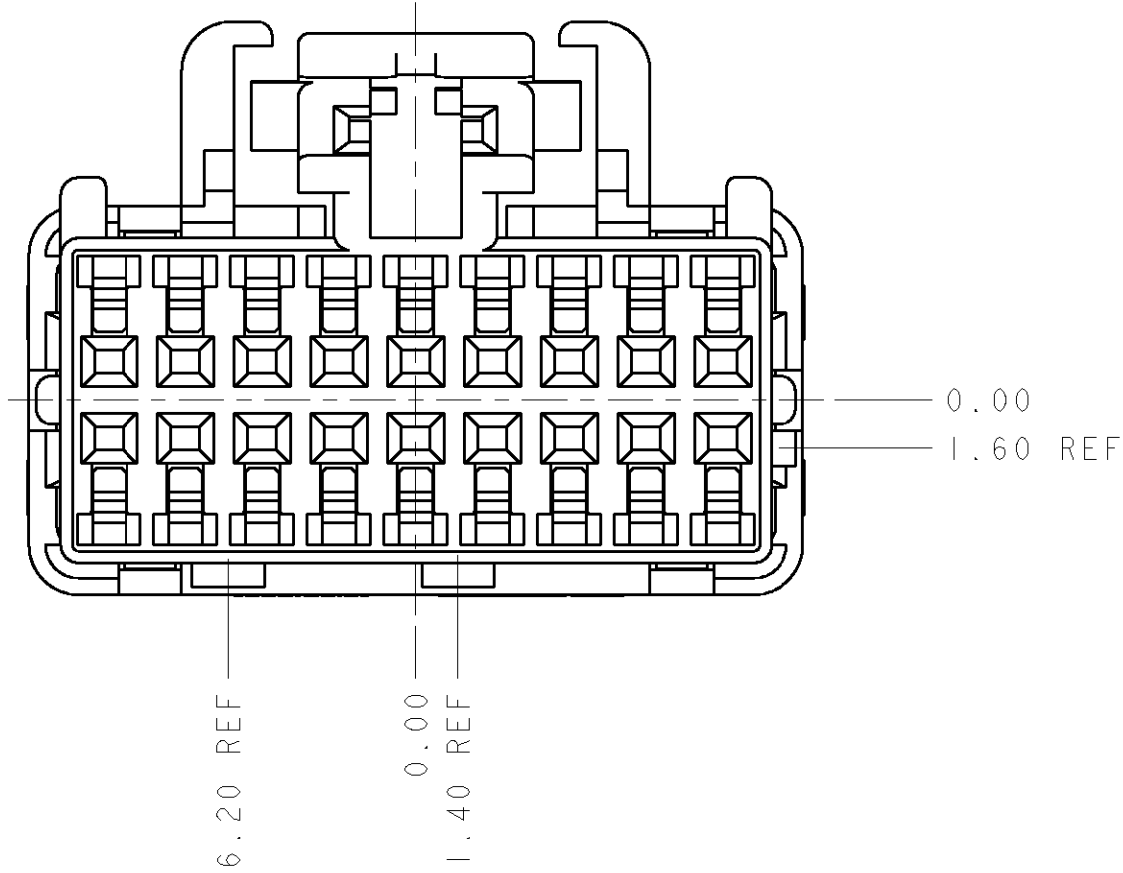
KEY CODE "B"  
SCALE 4:1



KEY CODE "C"  
SCALE 4:1



KEY CODE "D"  
SCALE 4:1



KEY CODE "E"  
SCALE 4:1

<small>THIS DRAWING IS A CONTROLLED DOCUMENT FOR TYCO ELECTRONICS CORPORATION          IT IS SUBJECT TO CHANGE AND THE CONTROLLING ENGINEERING ORGANIZATION          SHOULD BE CONTACTED FOR THE LATEST REVISION.</small>		DWN K. FOLTZ 26AUG99 CHK A. EBRAHEEM 23JAN2001 APVD G. BALON 23JAN2001	<b>AMP</b> AMP Incorporated Harrisburg, PA 17105-3608
DIMENSIONS: mm 		PRODUCT SPEC - APPLICATION SPEC - WEIGHT -	
TOLERANCES UNLESS OTHERWISE SPECIFIED: 0 PLC ± 1 PLC ±0.4 2 PLC ±0.30 3 PLC ± 4 PLC ± ANGLES ± FINISH -		CUSTOMER DRAWING	SIZE A2 CAGE CODE 00779 DRAWING NO. 638397 RESTRICTED TO - SCALE 4:1 SHEET 2 OF 2 REV C

单击下面可查看定价，库存，交付和生命周期等信息

[>>TE Connectivity\(泰科\)](#)