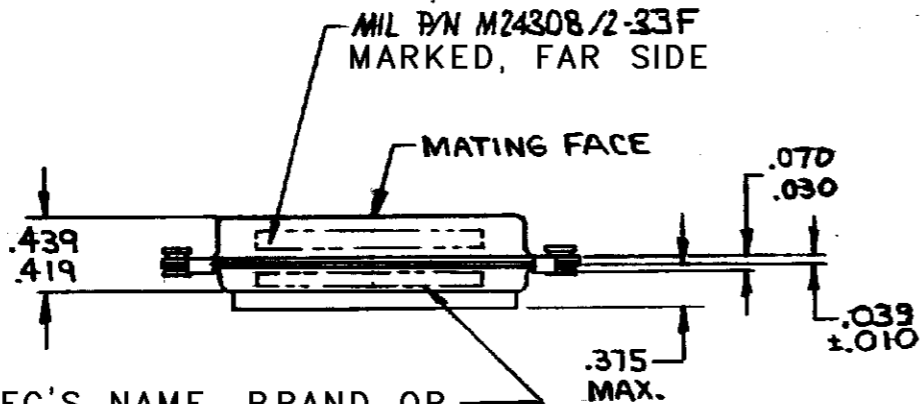
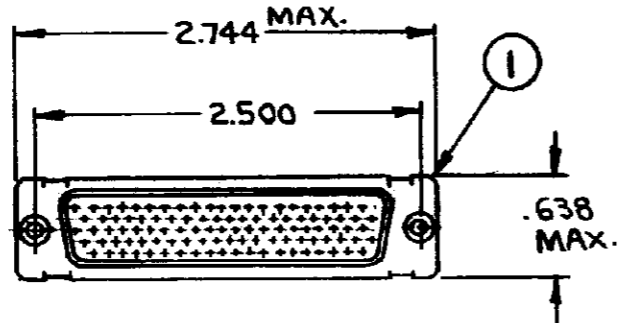


DRAWING MADE IN AMERICAN PROJECTION

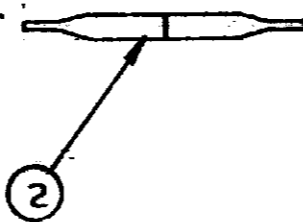
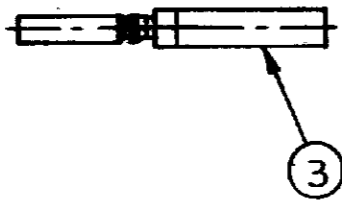
© 1970 BY AMP INCORPORATED. ALL RIGHTS RESERVED. AMP PRODUCTS COVERED BY PATENTS AND/OR PATENTS PENDING.

⚠ APPROPRIATE AMP P/N (KIT) IS MARKED ON PACKAGE

Unauthorized use not to be reproduced without written permission of AMP Inc.



MFG'S NAME, BRAND OR LOGO, MFG'S PART NO AND DATE CODE, MARKED FAR SIDE



REVISIONS				
ZONE	LTR	DESCRIPTION	DATE	APPROVED
	A	REV. & REDRAWN, RELEASED WAS 5066-168 PER ECN A-962	12/29/70	Lm/98
		NOTES ADDED, ECN B-011	2/4/71	98/98
	B	REV. PER ECN B-948	5/11/73	Lm/97
	B	REV. PER ECN E-342	5/6/76	Lm/98
	C	REV. PER ECN G-047	2/8/79	D/S/98
	D	REV PER ECN DF-0021, DF-DKD R2670	7-13-78	EAM
	E	REV PER DF-2511	T.W. 1/87	AZ
	F	ECO-08-023688	PY 11-08	BW

SUPD BY 204546-2 5 9/06/71

<input checked="" type="checkbox"/>		MILITARY P/N	M24308/2-44	MARKED ON PACKAGE	
<input checked="" type="checkbox"/>		MILITARY P/N	M24308/2-33F	MARKED ON PACKAGE	
<input checked="" type="checkbox"/>	B	204351-1	CONTACT, SOCKET, SIZE 22 D		3
<input checked="" type="checkbox"/>	B	91067-1	INSERTION & EXTRACTION TOOL		2
<input checked="" type="checkbox"/>	A	204534-1	RECEPTACLE ASSY., SIZE #6		1
		DMG NUMBER	NAME		ITEM NO.

UNLESS OTHERWISE SPECIFIED DIMENSIONS ARE IN INCHES		CONTRACT NO. 12-29-70		AMP HARRISBURG, PENNSYLVANIA	
TOLERANCES ON:		DR. L. M. Morrison		NAME	
DECIMALS ± .015		1-19-71		KIT, "HDD" SERIES, RECEPTACLE, SIZE #6	
ANGLES ± H		D. Baer 1-19-71		SIZE CODE IDENT NO. NUMBER	
MATERIAL H		R. Holliday 1-19-71		B 00779 204546	
		OTHER APPD		REV F	
				SCALE H SHEET 1 OF 1	

单击下面可查看定价，库存，交付和生命周期等信息

[>>TE Connectivity\(泰科\)](#)