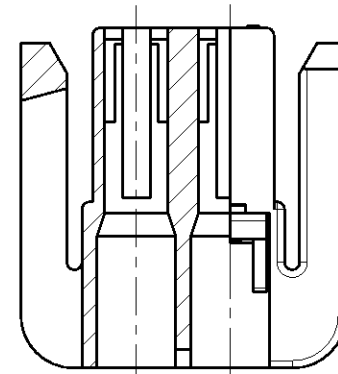
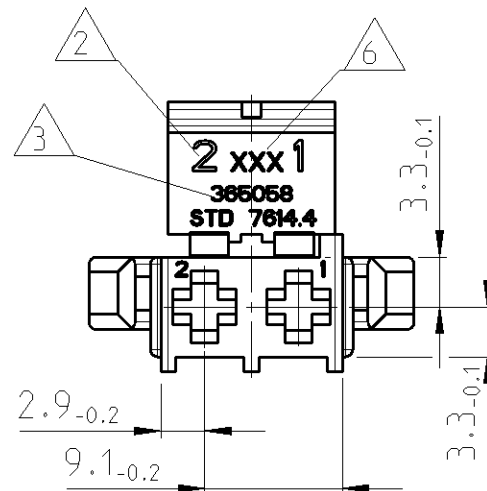
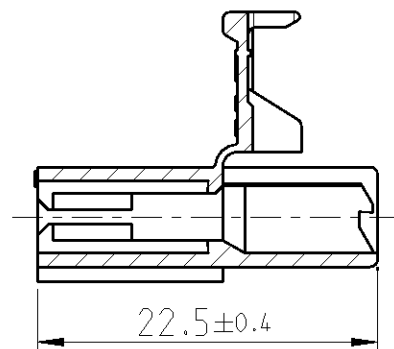
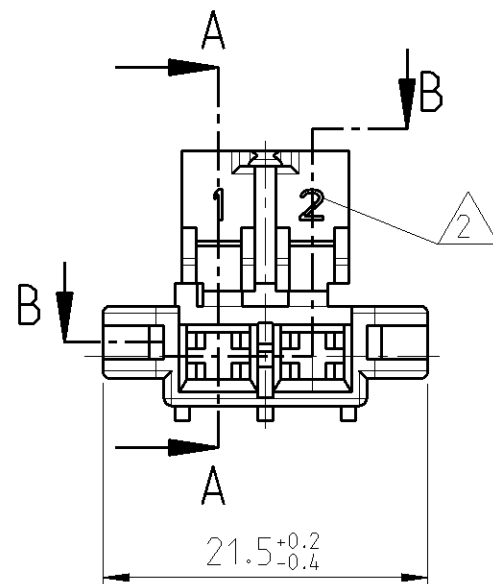


LOC	DIST	REVISIONS					
		P	LTR	DESCRIPTION	DATE	DWN	APVD
A1	-		D1	TE Logo changed, Note 6 added	30JAN2013	Ho.	Schin.

SECTION B-B Schnitt



SECTION A-A Schnitt



1 MATERIAL Y COLORES HAN DE ESTAR LIBRES DE CADMIO
Material und Farbbatch muss cadium frei sein

2 CHARACTER HEIGHT 2
Schrifthoehe 2

3 CHARACTER HEIGHT 1
Schrifthoehe 2

4 FITTING WITH 365057
Passend zu 365057

5 PARTS MUST BE AIR TIGHT PACKAGED, MOISTURE CONTENT MUST BE 2.5±1%
Teile muessen luftdicht verpackt sein, die Feuchte muss 2.5±1% betragen

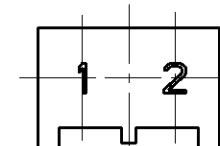
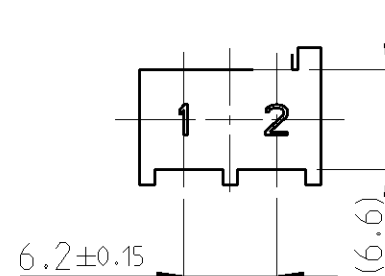
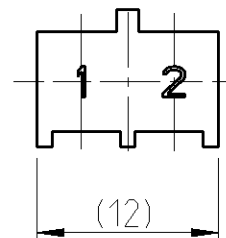
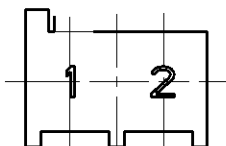
6 LOGO ACC. TO TE SPEC TEC-202-36;
0.15 RAISED
Firmenlogo entsprechend TE Spec TEC-202-36;
0.15 erhaben

CODING 1
Kodierung

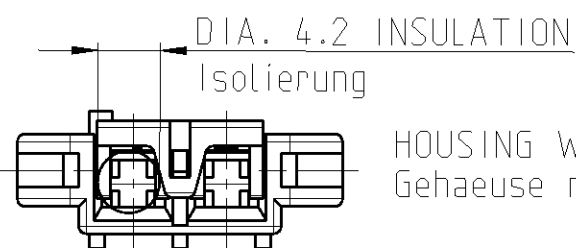
CODING 2
Kodierung

CODING 3
Kodierung

CODING 4
Kodierung



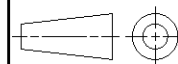
Code No.	PART NO	MATERIAL	COLOUR
CODE 4	365058-4	PA 6.6	YELLOW
CODE 3	365058-3	PA 6.6	BLACK
CODE 2	365058-2	PA 6.6	GREY
CODE 1	365058-1	PA 6.6	NATUR



HOUSING WITH CLOSED FLAP
Gehauese mit geschlossener Lasche

THIS DRAWING IS A CONTROLLED DOCUMENT.

DIMENSIONS:
mm



MATERIAL SEE TABLE

TOLERANCES UNLESS OTHERWISE SPECIFIED:

0 PLC	±	
1 PLC	±	
2 PLC	±	±0.2
3 PLC	±	
4 PLC	±	
ANGLES	±	±°
FINISH	-	

DWN R.ULLRICH 15JAN1985

CHK L.BATLLO 15JUN1993

APVD J.PASCUAL 15JUN1993

PRODUCT SPEC

APPLICATION SPEC

WEIGHT -

Customer Drawing



NAME
2 POS. HOUSING
FOR JUNIOR TIMER CONTACT

SIZE	CAGE CODE	DRAWING NO	RESTRICTED TO
A3	00779	©=365058	-

SCALE 2:1 SHEET 1 OF 1 REV D1

单击下面可查看定价，库存，交付和生命周期等信息

[>>TE Connectivity\(泰科\)](#)