

4

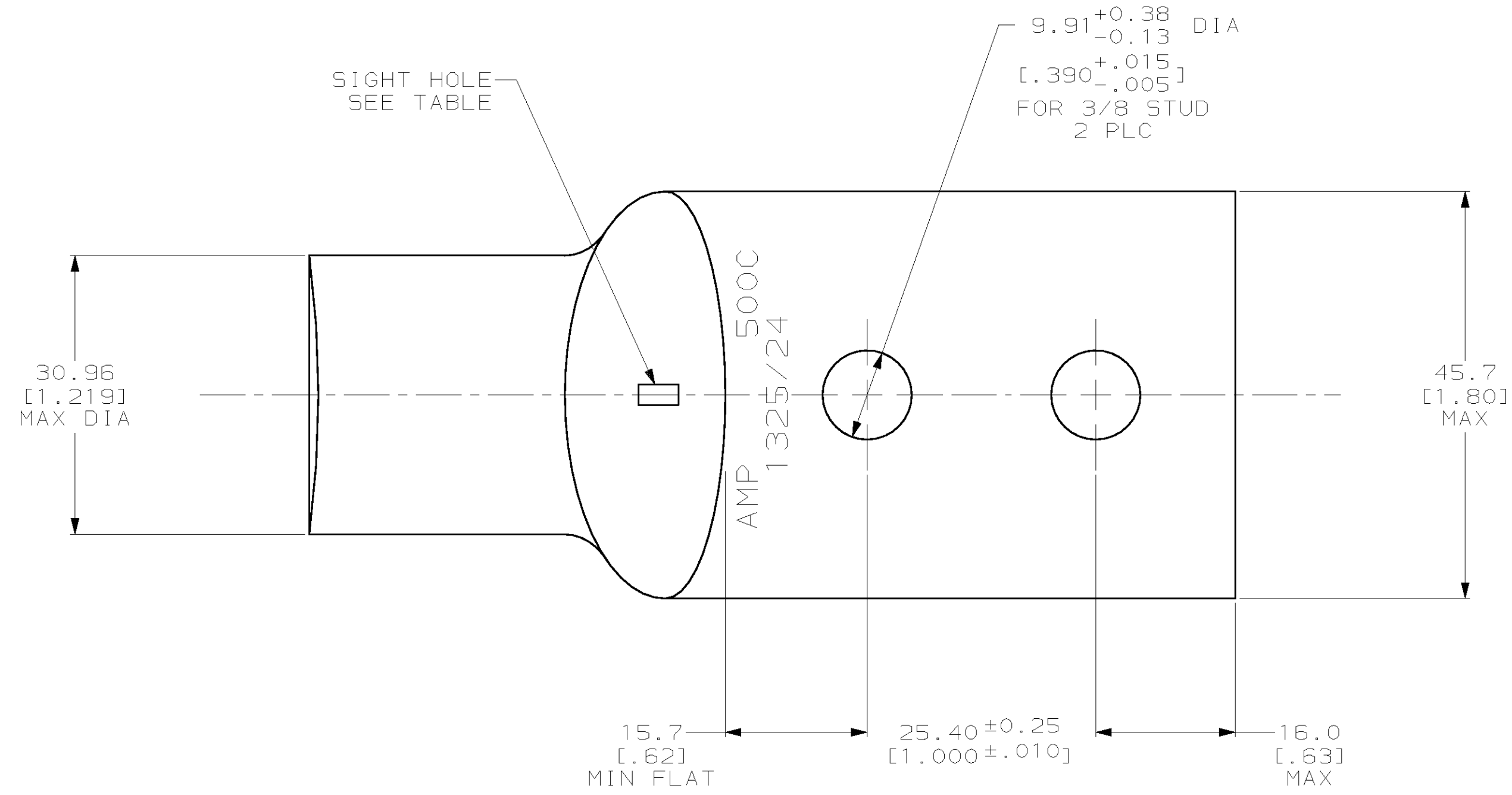
3

2

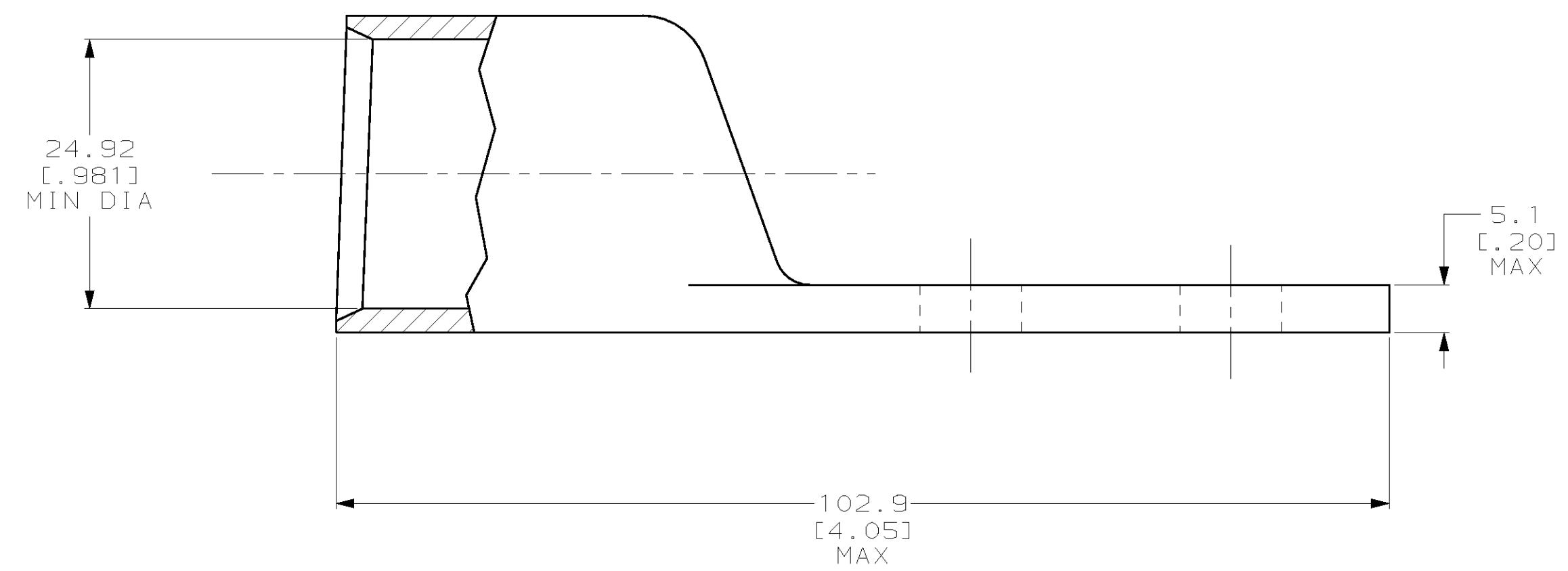
1

THIS DRAWING IS UNPUBLISHED. RELEASED FOR PUBLICATION
 (C) COPYRIGHT 19 BY AMP INCORPORATED. ALL RIGHTS RESERVED.

LOC	DIST	REVISIONS					
		P	LTR	DESCRIPTION	DATE	DWN	APVD
G	86	V		REV PER 0G3A-0561-01	090CT02	JR	MS



- 1 CIRCULAR MIL AREA RANGE: 450-550 MCM
- 2 COPPER PER ASTM B-75 ANNEALED
- 3 TIN PL 0.00381 [.000150] MIN THK PER ASTM B-545



NONE	326808-3
REQD	326808
SIGHT HOLE	AMP PART NUMBER

THIS DRAWING IS A CONTROLLED DOCUMENT.		DWN DK SCHRUM 24SEP97	AMP Incorporated Harrisburg, PA 17105-3608
DIMENSIONS: mm [INCHES]		CHK WJ VOCKROTH 25SEP97	
TOLERANCES UNLESS OTHERWISE SPECIFIED: 0 PLC ±- 1 PLC ±- 2 PLC ±0.51 [.020] 3 PLC ±- 4 PLC ±- ANGLES ±-		APVD JL MECKLEY 25SEP97	
MATERIAL - 2		FINISH - 3	
PRODUCT SPEC: 108-30200 APPLICATION SPEC: - WEIGHT: .401 lbs		NAME: JL MECKLEY	TERMINAL, AMPPOWER™ WIRE SIZE: 500 MCM
CUSTOMER DRAWING		SCALE: 2:1	SIZE: A2 CAGE CODE: 00779 DRAWING NO: 326808 RESTRICTED TO: - SHEET: 1 OF 1 REV: V

326808

单击下面可查看定价，库存，交付和生命周期等信息

[>>TE Connectivity\(泰科\)](#)