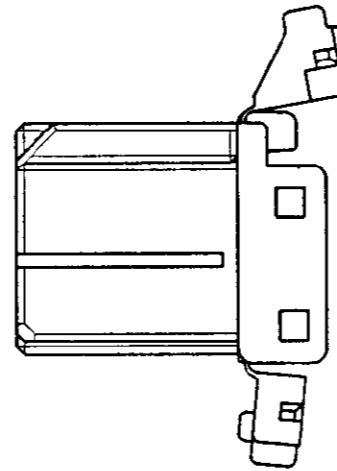
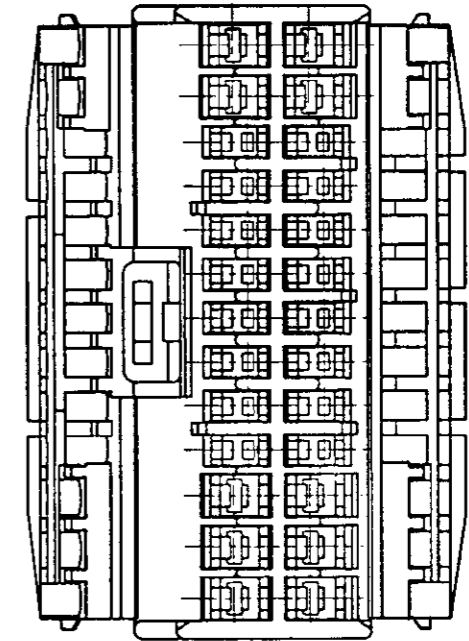
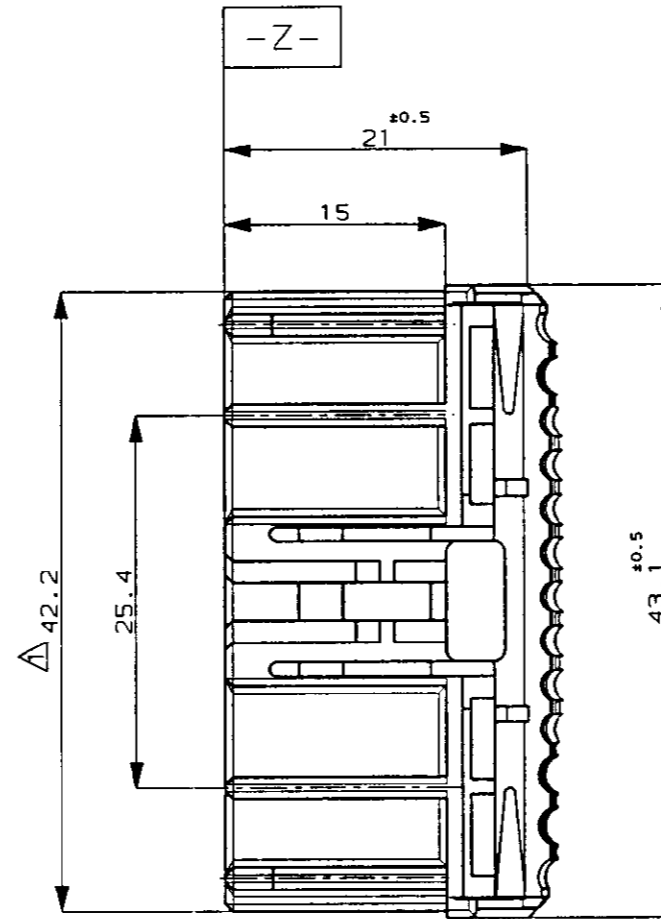
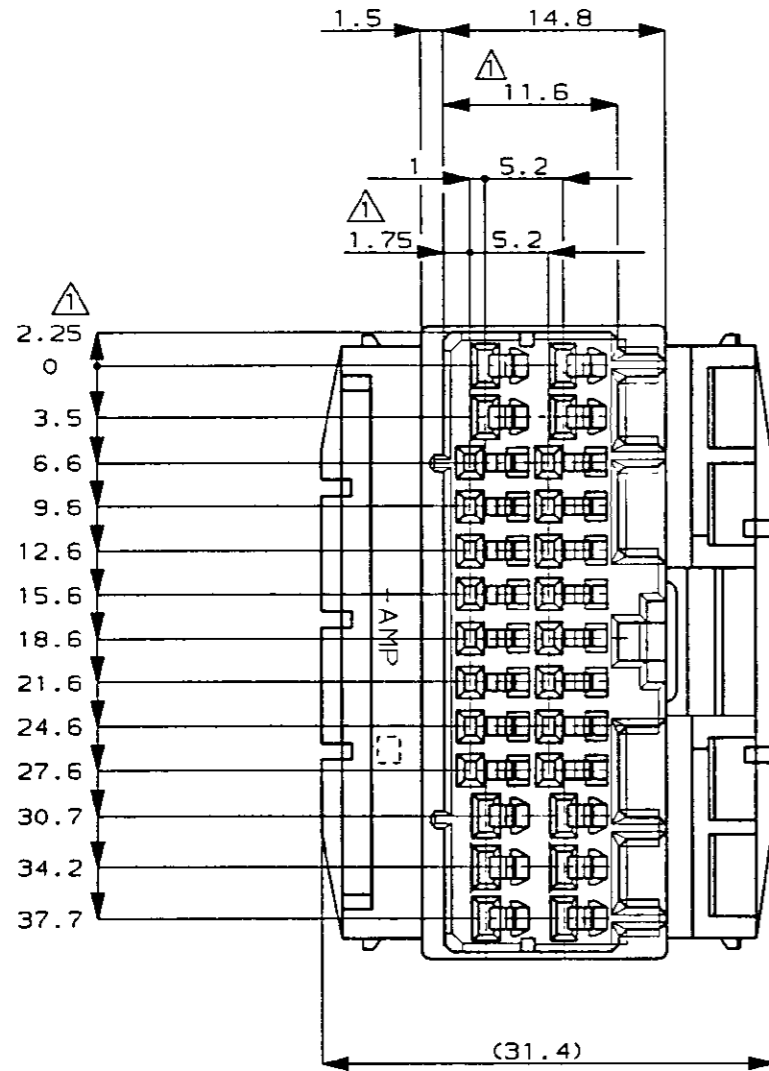


NUMBER C-175111

3rd ANGLE PROJECTION

METRIC



NOTES;

1. MUST BE KEPT BETWEEN **-Z-** AND 2mm.
2. APPLIED CONTACT PART NUMBER; 173681, 173630, 173631
3. APPLICABLE PRODUCT SPEC. 108-5280

注:

1. **-Z-** 面より 2mm の範囲で測定
2. 内装するリセパタクルコンタクト型番: 173681, 173630, 173631
3. 通用製品規格番号 108-5280

DIMENSIONS IN MILLIMETERS. DO NOT SCALE PRINT

PRINT DIST

AMP-J
REV. 10/83

				Copyright ©1989 AMP (Japan) LTD. ALL RIGHTS RESERVED.		Copyright ©1989 AMP (Japan) LTD. ALL RIGHTS RESERVED.		AMP AMP (JAPAN), LTD. Tokyo, Japan	
				WIRE RANGE #16 - #22 mm ² (AWG)		INSULATION DIA #16 - #22 mm ϕ		NAME 26pos. PLUG HOUSING .040/.070 HYBRID I/O CONN. T.F 26極 プラグハウジング .040/.070 ハイブリッド I/O コネクタ T.F	
C	追加 -5	FJ00-2749-95	KS SJ	6/18/91	材料 MATERIAL PBT		色 COLOR 表参照 SEE TABLE		
B	変更	J-0413	AT	10/14/91	GENERAL TOLERANCE		SIZE	LOC	
A	変更	J-0015	YF	4/16/91	0 <= 10 : ±0.2 10 <= 30 : ±0.25 30 <= 100 : ±0.3 ANGLES : ±3°		A3 J	NUMBER	
O	作成	J-10927	KS	11/15/89	DR. K. Suzuki 10/31/89 DE. K. Fujise 11/15/89		C-175111		
LTR	REVISION RECORD	DR	CHK	DATE	CHK. M. Matsushita 11/16/89 APP. T. Tsuchi 11/20/89		SCALE	REV.	
							2-1	C	SHEET #

CUSTOMER DRAWING

单击下面可查看定价，库存，交付和生命周期等信息

[>>TE Connectivity\(泰科\)](#)