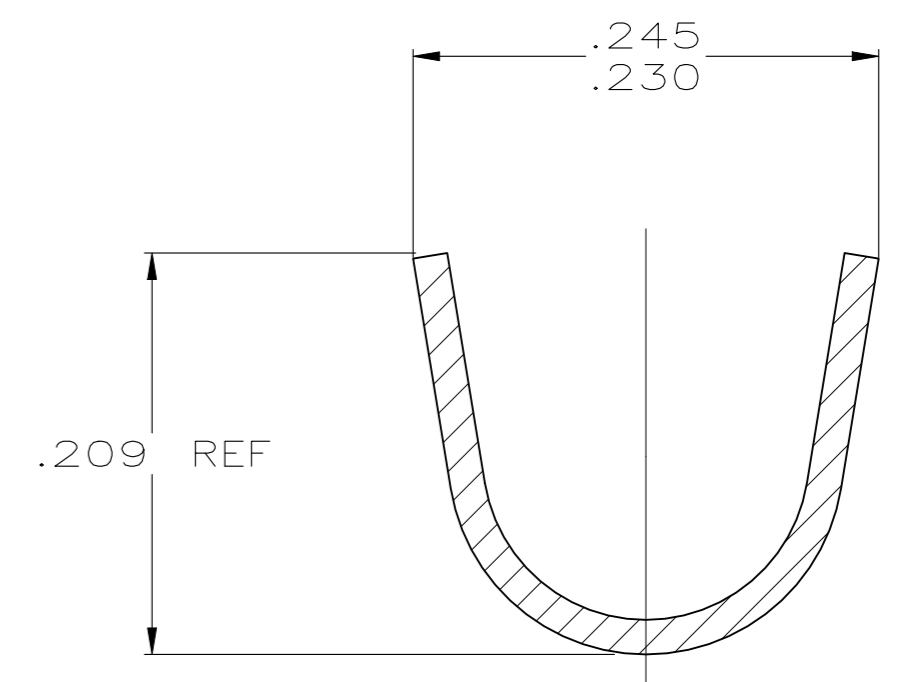
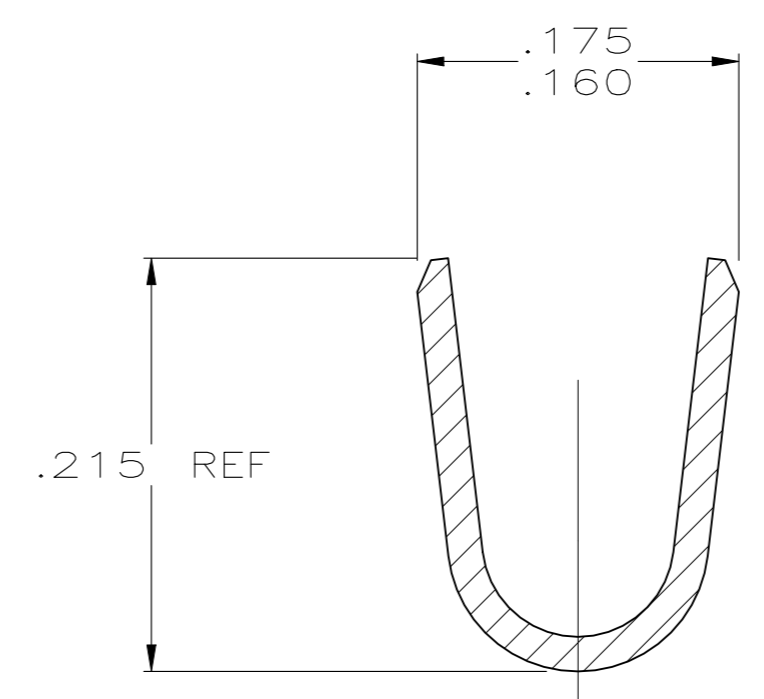
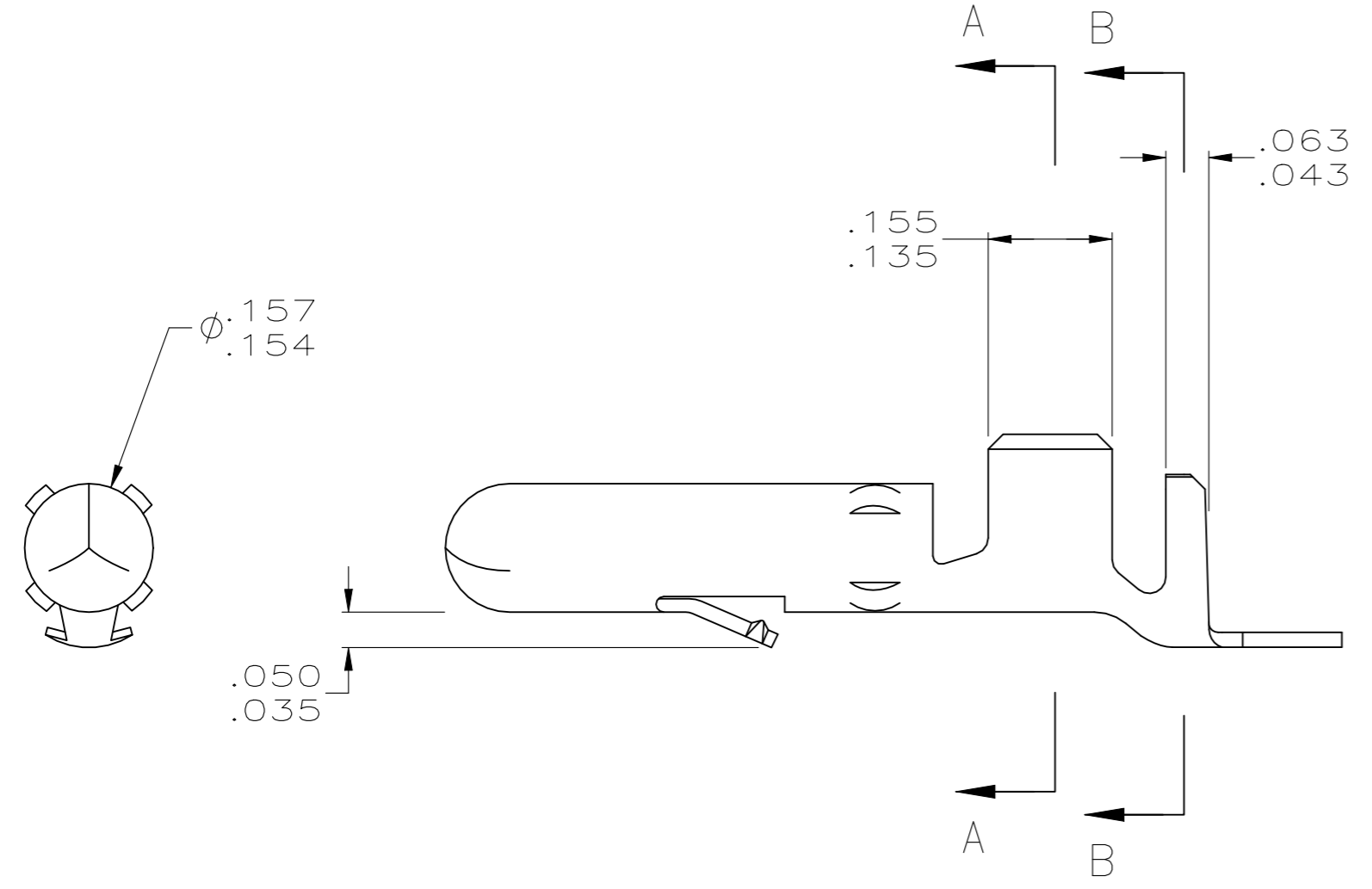
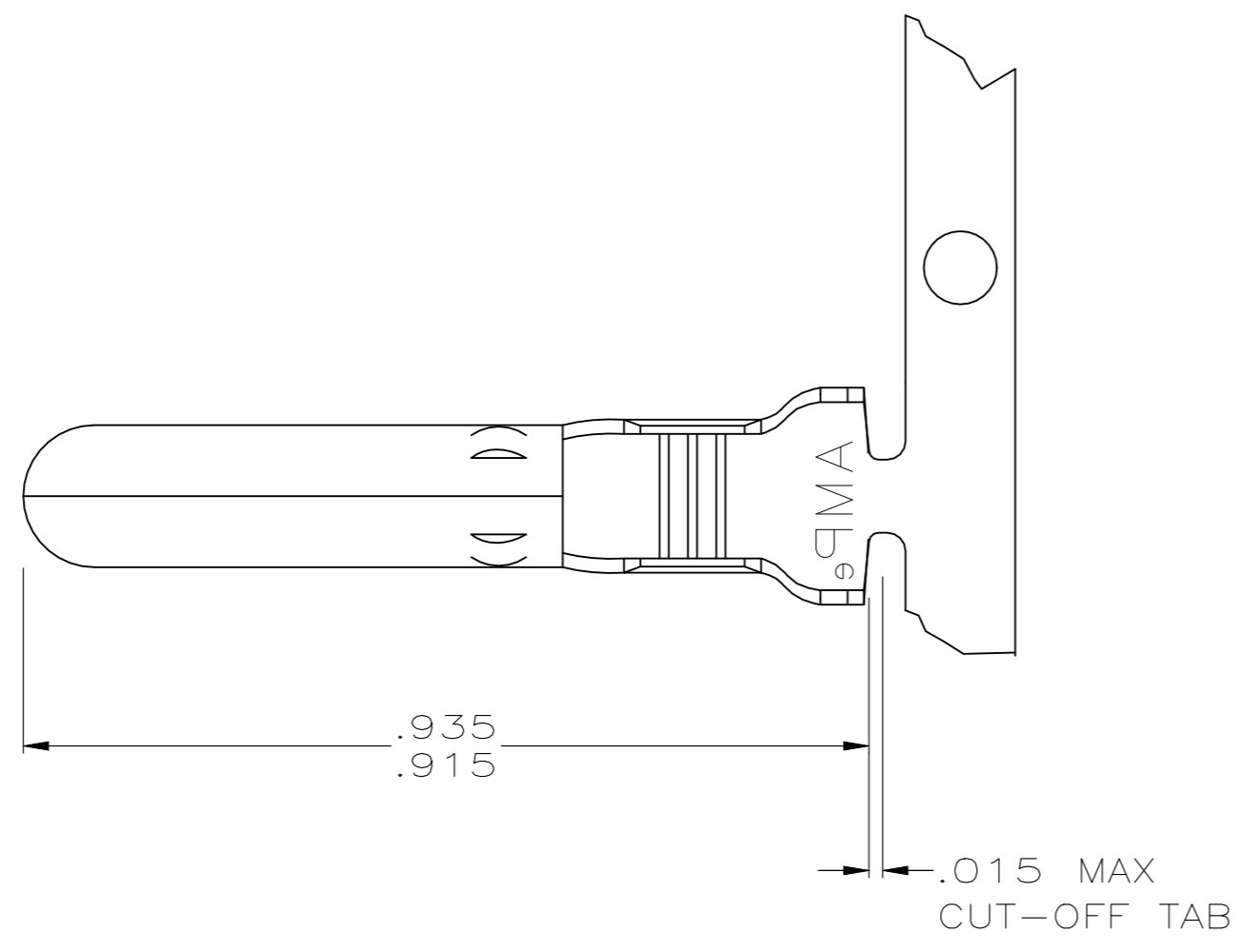


THIS DRAWING IS UNPUBLISHED. RELEASED FOR PUBLICATION
 © COPYRIGHT BY TYCO ELECTRONICS CORPORATION. ALL RIGHTS RESERVED.

LOC	DIST	REVISIONS			
P	LTR	DESCRIPTION	DATE	DWN	APVD
CM	0				
	A	REVISED PER ECR-21-101087	29APR2021	PJ	VS

1. WIRE RANGE: 12-10 (3-6mm²) AWG
 INSULATION RANGE: .185 MAX.



FINISH	MATERIAL	PART NO
TIN	.018 COPPER ALLOY	1586487-2
TIN	.018 COPPER ALLOY	1586487-1

IN	MM	IN	MM	IN	MM	IN	MM
.050	1.27	.157	3.99	.230	5.84		
.043	1.09	.156	3.96	.215	5.46		
.035	0.89	.155	3.94	.209	5.31		
.018	0.46	.154	3.91	.185	4.70	.935	23.75
.015	0.38	.135	3.43	.175	4.45	.915	23.24
.005	0.13	.063	1.60	.160	4.06	.245	6.22
IN	MM	IN	MM	IN	MM	IN	MM

CONVERSION TABLE

METRIC

THIS DRAWING IS A CONTROLLED DOCUMENT.

DWN	K. WHITAKER	25OCT2005	 Tyco Electronics Corporation Harrisburg, PA 17105-3608							
CHK	D. COLEY	25OCT2005								
APVD	D. COLEY	25OCT2005								
PRODUCT SPEC	NAME									
APPLICATION SPEC	NAME		PIN, ENHANCED CURRENT, .156 MATE-N-LOK(TM)							
WEIGHT	-		SIZE	A2	CAGE CODE	00779	DRAWING NO	C=1586487	RESTRICTED TO	-
CUSTOMER DRAWING	SCALE		5:1	SHEET	1 of 1	REV	A			

单击下面可查看定价，库存，交付和生命周期等信息

[>>TE Connectivity\(泰科\)](#)