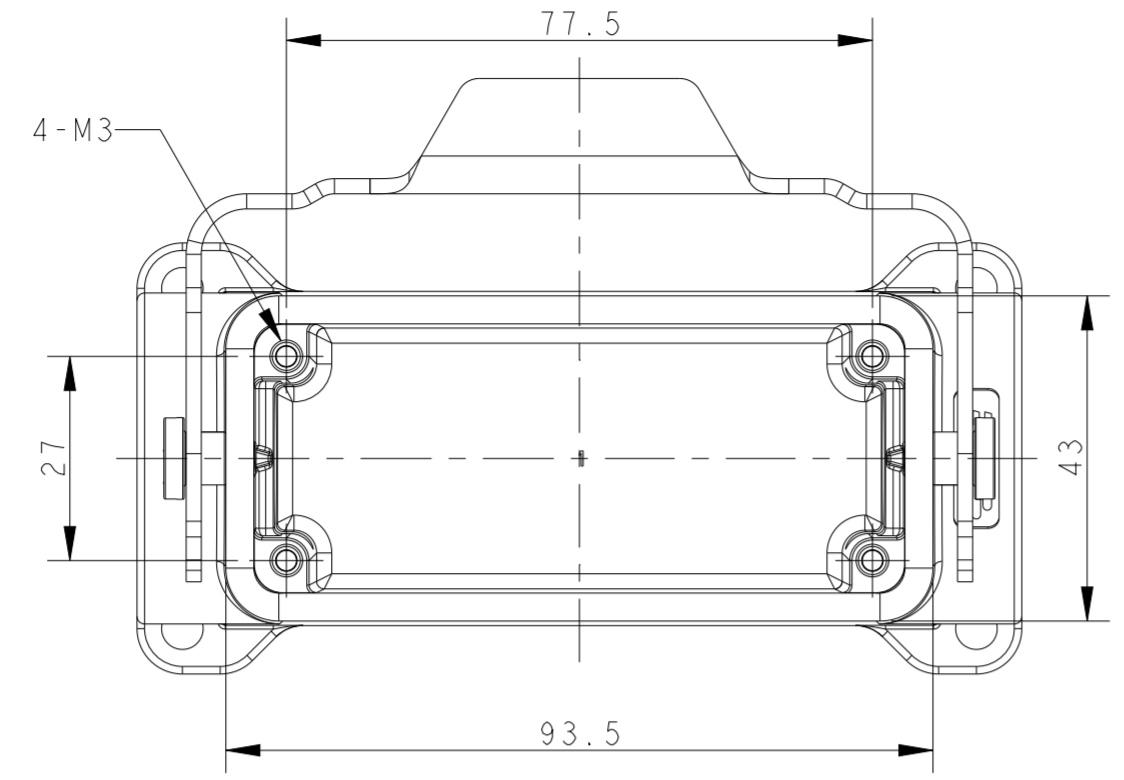


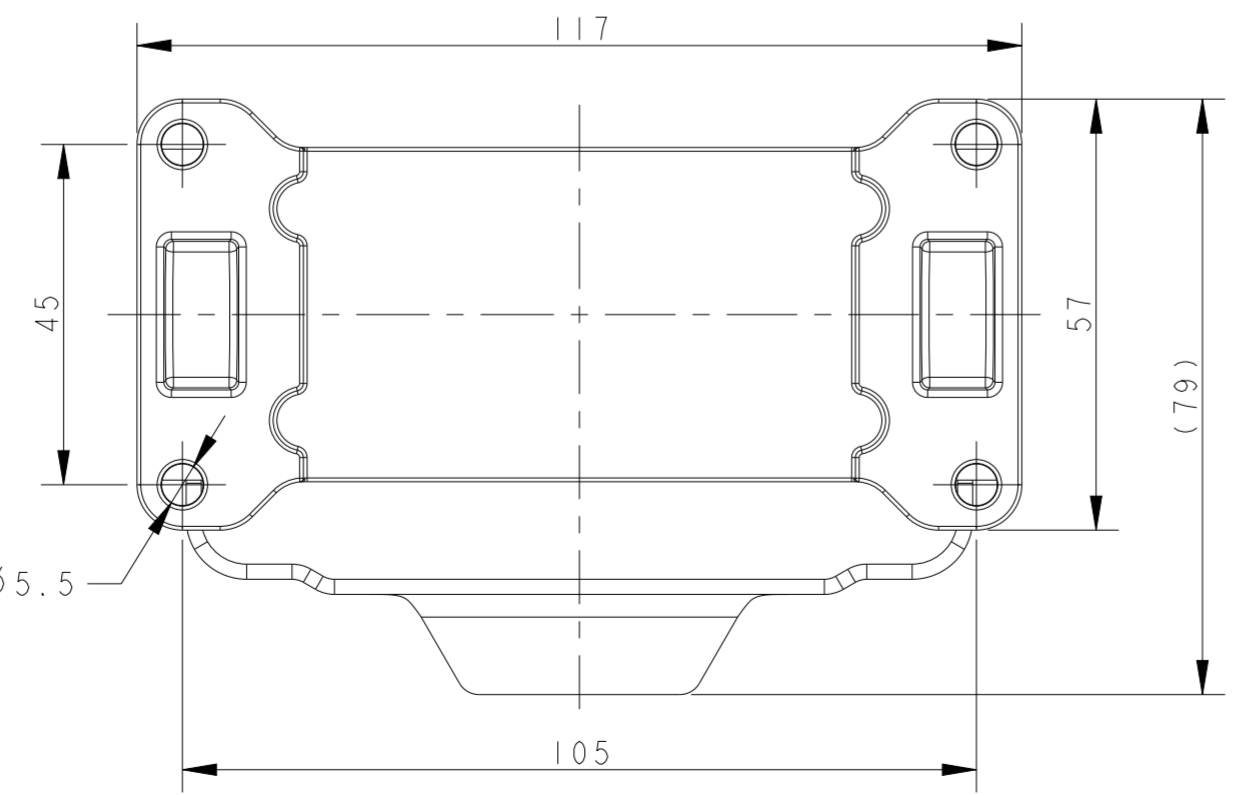
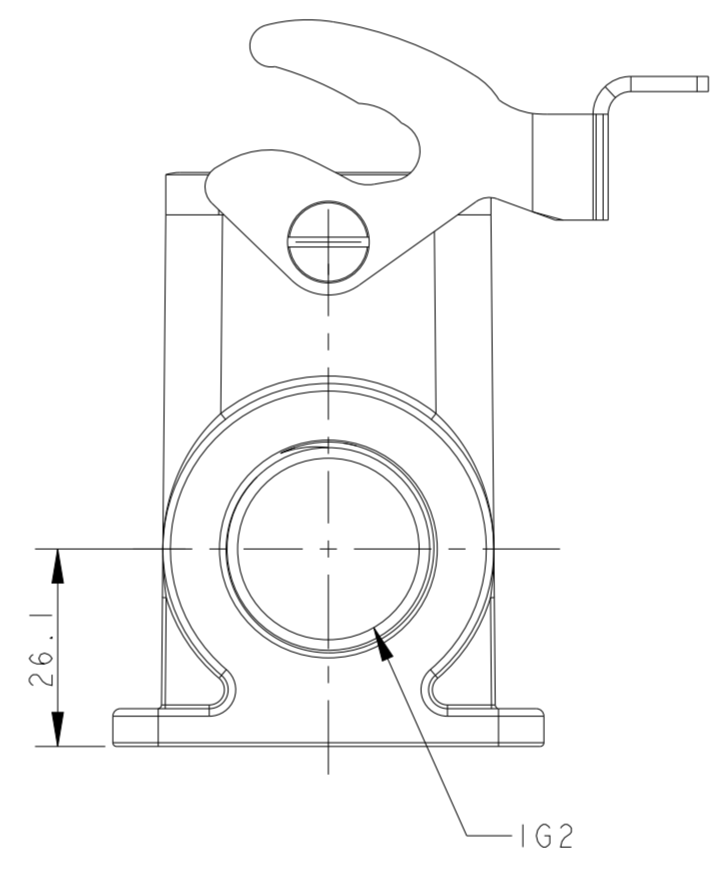
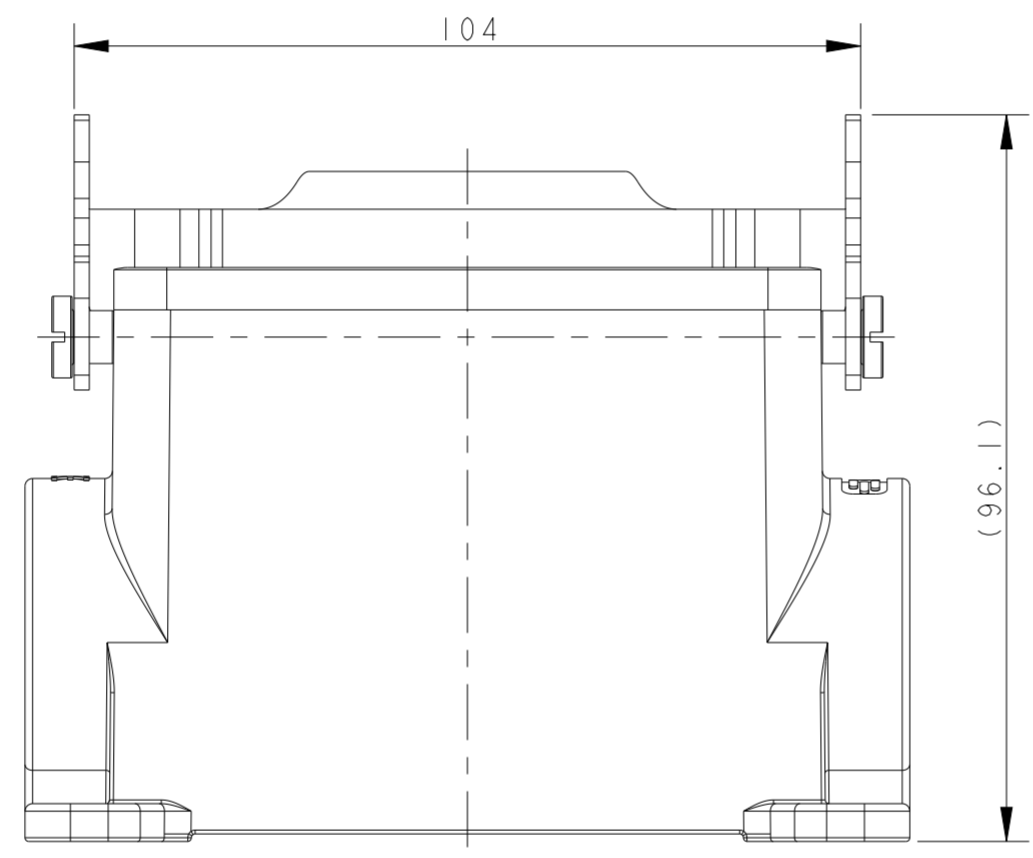
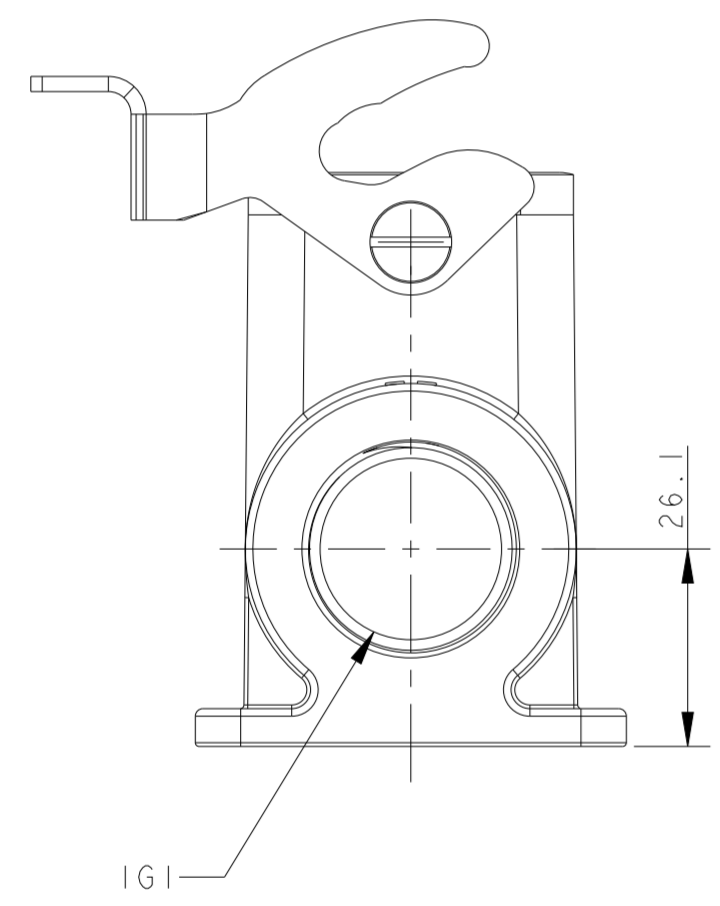
THIS DRAWING IS UNPUBLISHED. RELEASED FOR PUBLICATION 20
 © COPYRIGHT 20 BY - ALL RIGHTS RESERVED.

REVISIONS					
P	LTR	DESCRIPTION	DATE	DWN	APVD
A		INITIAL RELEASE	23JUN2015	DL	CW
AI		ECR-18-018974	09NOV2018	WOR	CW
B		ECR-20-008190	28SEP2020	WOR	CW



NOTES:
 1. TECHNICAL CHARACTERISTICS:
 BODY MATERIAL: DIE CAST ALUMINIUM ALLOY
 SURFACE TREATMENT: POWDER-COATED, GRAY
 DEGREE OF PROTECTION: IP65 (MATED)

注释:
 1. 技术参数:
 主体材料: 铝合金
 表面处理: 粉末喷涂, 灰色
 防护等级: IP65(配合)



PART NUMBER	料号	DESCRIPTION	描述	IG1	IG2
TI650163125-000	HI6B-SGRH-LB-M25	HI6B HOUSING, SURFACE MOUNTED, METAL SINGLE LOCKING, M25, HIGH CONSTRUCTION, POWDER COATED, GREY HI6B外壳, 表面安装, 彩钢单扣, M25, 高结构, 灰色粉末喷涂	M25	-	-
TI650163121-000	HI6B-SGRH-LB-PG21	HI6B HOUSING, SURFACE MOUNTED, METAL SINGLE LOCKING, PG21, HIGH CONSTRUCTION, POWDER COATED, GREY HI6B外壳, 表面安装, 彩钢单扣, PG21, 高结构, 灰色粉末喷涂	PG21	-	-
TI650163129-000	HI6B-SGRH-LB-PG29	HI6B HOUSING, SURFACE MOUNTED, METAL SINGLE LOCKING, PG29, HIGH CONSTRUCTION, POWDER COATED, GREY HI6B外壳, 表面安装, 彩钢单扣, PG29, 高结构, 灰色粉末喷涂	PG29	-	-
TI650163132-000	HI6B-SGRH-LB-M32	HI6B HOUSING, SURFACE MOUNTED, METAL SINGLE LOCKING, M32, HIGH CONSTRUCTION, POWDER COATED, GREY HI6B外壳, 表面安装, 彩钢单扣, M32, 高结构, 灰色粉末喷涂	M32	-	-
TI650163221-000	HI6B-SGRH-LB-2PG21	HI6B HOUSING, SURFACE MOUNTED, METAL SINGLE LOCKING, 2PG21, HIGH CONSTRUCTION, POWDER COATED, GREY HI6B外壳, 表面安装, 彩钢单扣, 2PG21, 高结构, 灰色粉末喷涂	PG21	PG21	-
TI650163229-000	HI6B-SGRH-LB-2PG29	HI6B HOUSING, SURFACE MOUNTED, METAL SINGLE LOCKING, 2PG29, HIGH CONSTRUCTION, POWDER COATED, GREY HI6B外壳, 表面安装, 彩钢单扣, 2PG29, 高结构, 灰色粉末喷涂	PG29	PG29	-
TI650163232-000	HI6B-SGRH-LB-2M32	HI6B HOUSING, SURFACE MOUNTED, METAL SINGLE LOCKING, 2M32, HIGH CONSTRUCTION, POWDER COATED, GREY HI6B外壳, 表面安装, 彩钢单扣, 2M32, 高结构, 灰色粉末喷涂	M32	M32	-
				IG1	IG2

THIS DRAWING IS A CONTROLLED DOCUMENT.

DWN DAVID LI 23JUN2015
 CHK CHRIS WANG 23JUN2015
 APVD XU XIANG 23JUN2015

TE Connectivity

NAME HI6B-SGRH-LB-PG/M

PRODUCT SPEC 108-137013
 APPLICATION SPEC 114-137013

SIZE A2 CAGE CODE - DRAWING NO. C-TI650163XXX000 RESTRICTED TO

MATERIAL - TOLERANCES UNLESS OTHERWISE SPECIFIED: 0 PLC ±, 1 PLC ±, 2 PLC ±, 3 PLC ±, 4 PLC ±, ANGLES ±, FINISH -

WEIGHT -

CUSTOMER DRAWING SCALE 1:2 SHEET 1 OF 1 REV B

单击下面可查看定价，库存，交付和生命周期等信息

[>>TE Connectivity\(泰科\)](#)