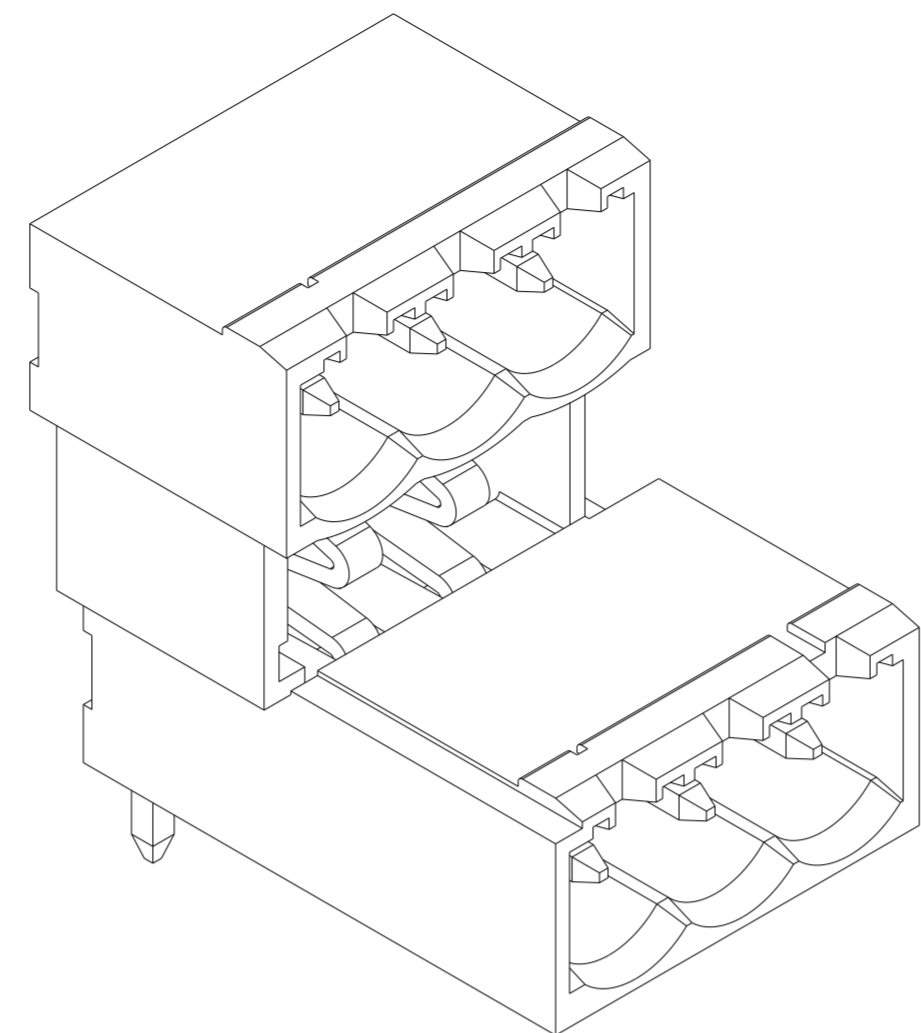
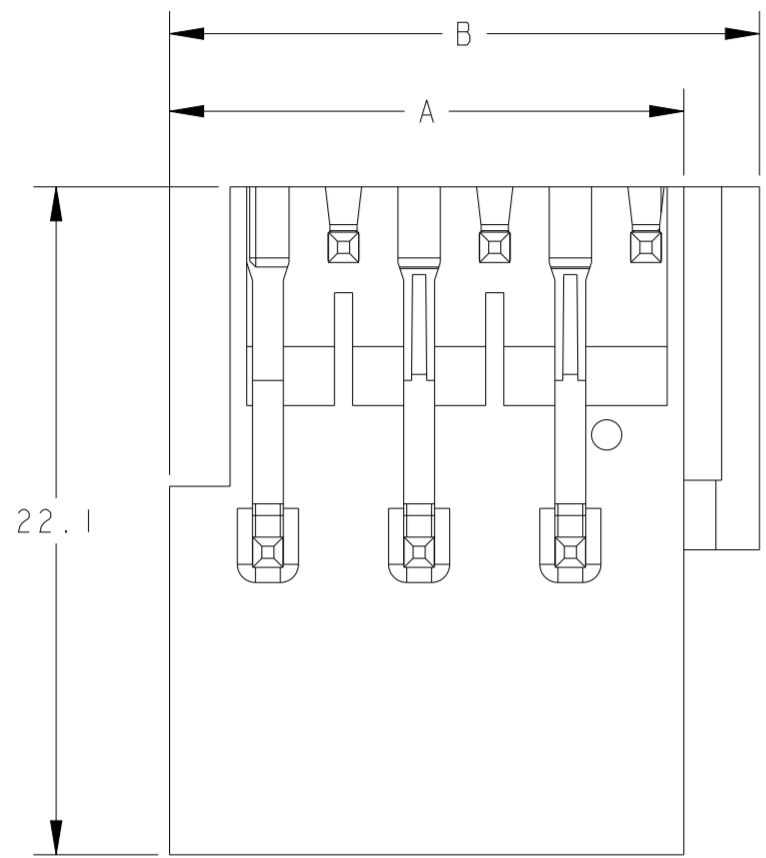


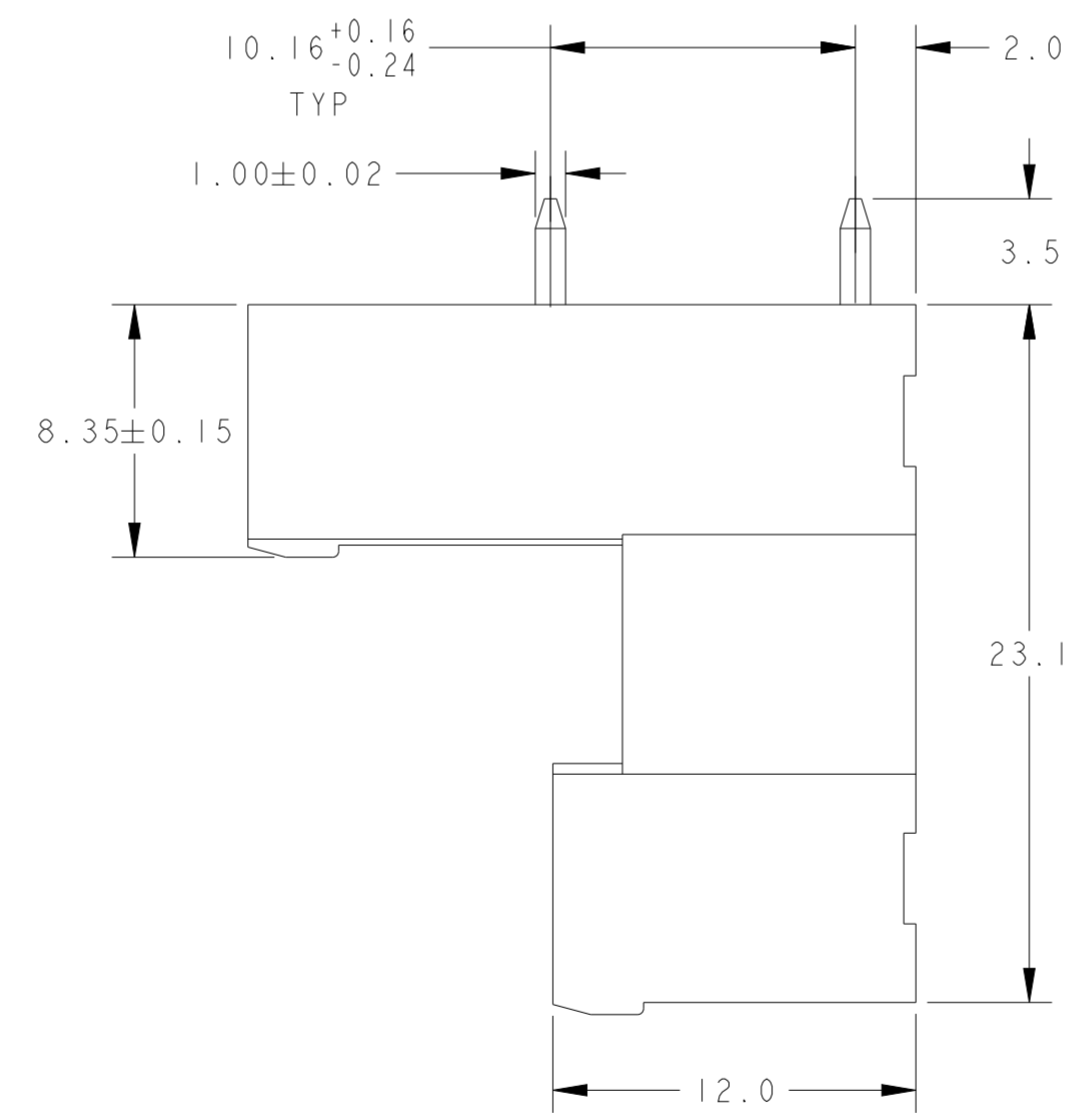
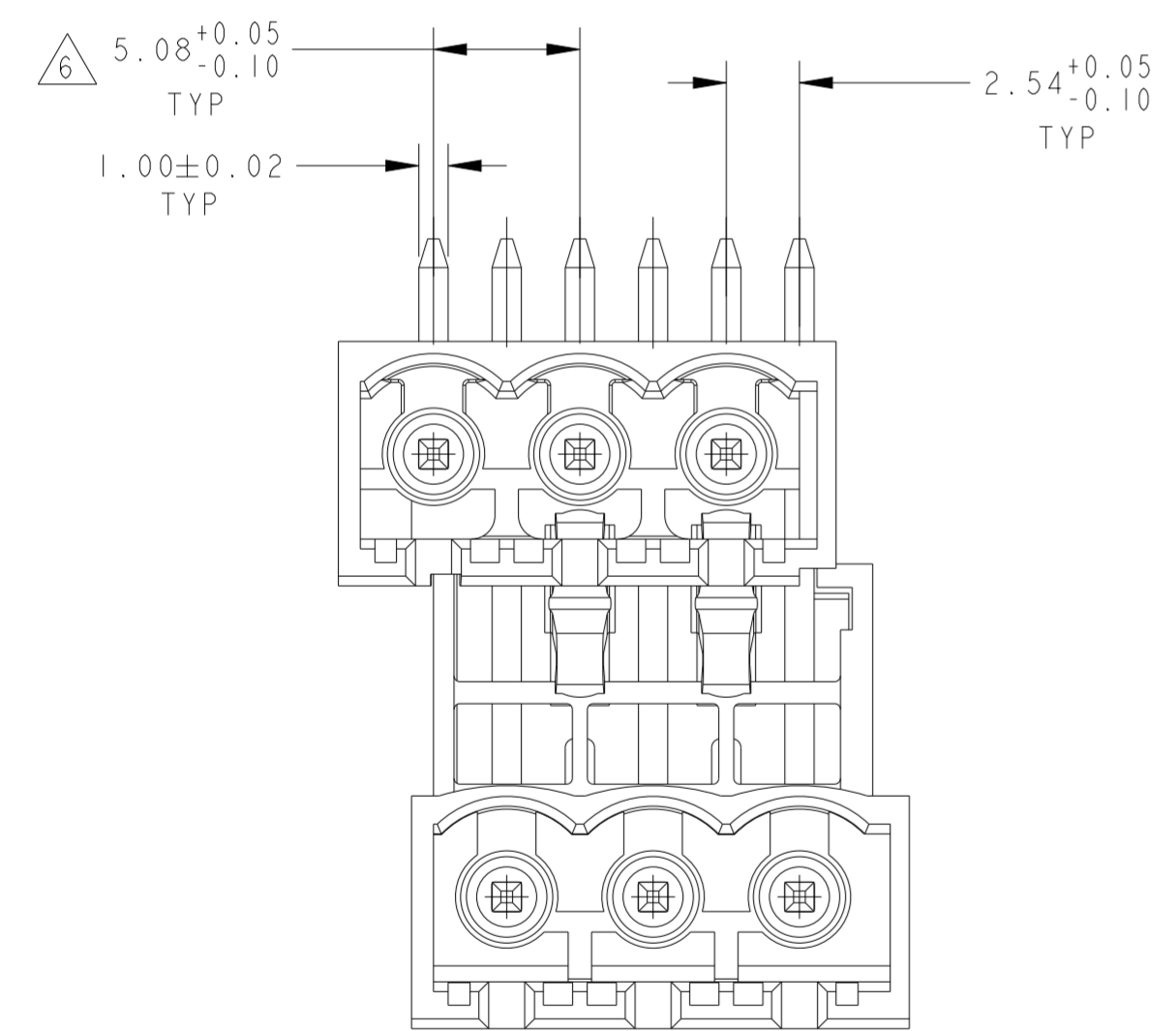
P	LTR	DESCRIPTION	DATE	DWN	APVD
C		DESIGN IMPROVEMENT IN NEW MOLD	08JUN2020	DV	PS
D		REVISED AS PER PCN: E-20-012263	10NOV2021	SCB	SS



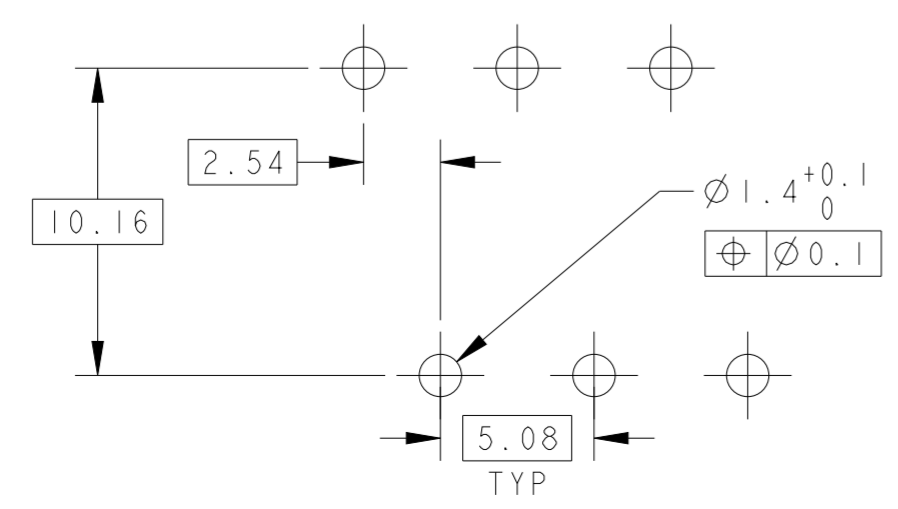
1776167-3 AS SHOWN

- MATERIALS AND FINISH
HOUSING: HIGH TEMPERATURE POLYAMIDE, UL 94V-0 RATED, COLOR: BLACK.
TERMINAL: COPPER ALLOY, TIN PLATED.
- SUITABLE FOR 1,6-2,4mm PC BOARD THICKNESS.
- ELECTRICAL
RATED VOLTAGE : 300 V
RATED CURRENT : 12 A
CONTACT RESISTANCE : < 15 mΩ
INSULATION RESISTANCE: > 1000 MΩ (500V DC)
- OPERATING TEMPERATURE RANGE: -40°C TO +110°C
- P/N FROM 1776167-4 TO 1776167-8 ARE OBTAINED BY ASSEMBLING 1776167-2 AND 1776167-3 TO ACHIEVE THE DESIRED NUMBER OF POSITIONS.

△ 6 NON CUMULATIVE TOLERANCE



RECOMMENDED PC BOARD LAYOUT



44.94	42.44	8	1776167-8
39.86	37.36	7	1776167-7
34.74	32.24	6	1776167-6
29.70	27.20	5	1776167-5
24.66	22.16	4	1776167-4
19.50	17.00	3	1776167-3
14.50	12.00	2	1776167-2
B	A	NO OF POS	PART NUMBER

THIS DRAWING IS A CONTROLLED DOCUMENT.

DIMENSIONS:	TOLERANCES UNLESS OTHERWISE SPECIFIED:	DWN	19JUL2005
mm	0 PLC ±3	CHK	19JUL2005
	1 PLC ±.25	APVD	19JUL2005
	2 PLC ±.	PRODUCT SPEC	
	3 PLC ±.	APPLICATION SPEC	114-20079
	4 PLC ±.	WEIGHT	-
ANGLES	±2°	CUSTOMER DRAWING	
FINISH		SCALE	5:1

NAME: **STE** TE Connectivity

NAME: TERMINAL BLOCK HEADER ASSEMBLY, MULTIPLE, 90 DEGREE, CLOSED ENDS, 5.08mm PITCH

SIZE: A2 CAGE CODE: 00779 DRAWING NO: C-1776167 RESTRICTED TO: D

单击下面可查看定价，库存，交付和生命周期等信息

[>>TE Connectivity\(泰科\)](#)