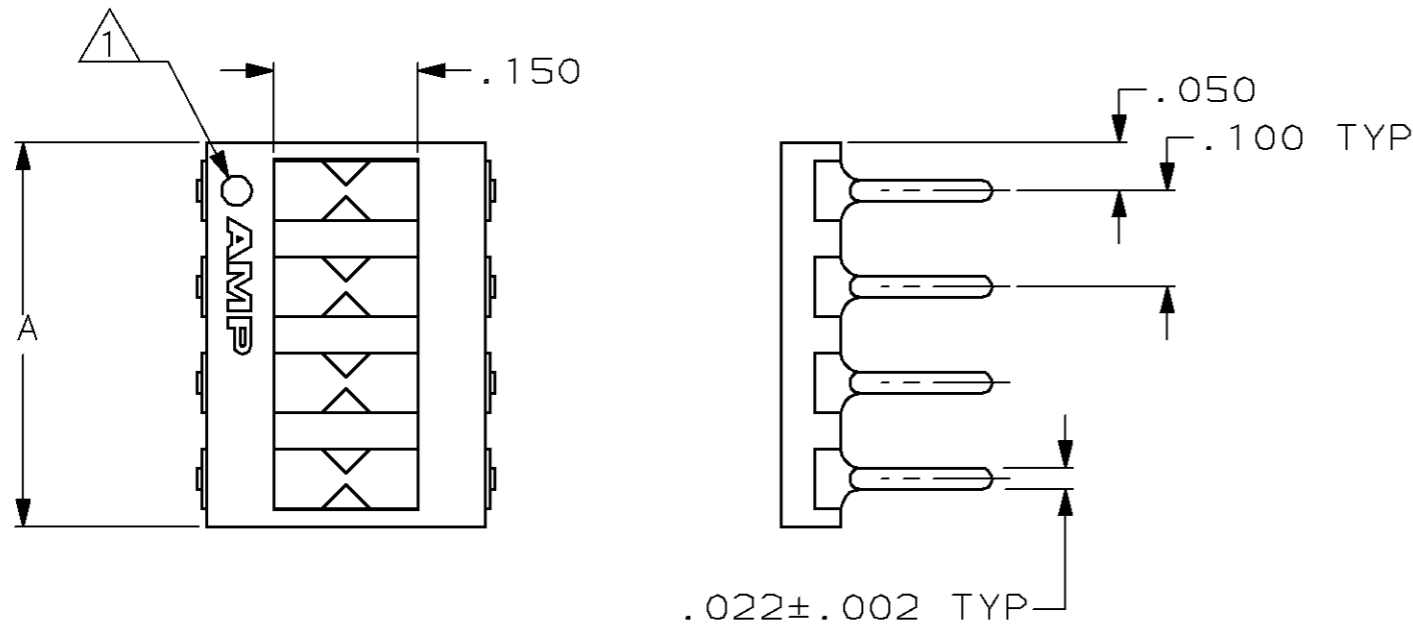
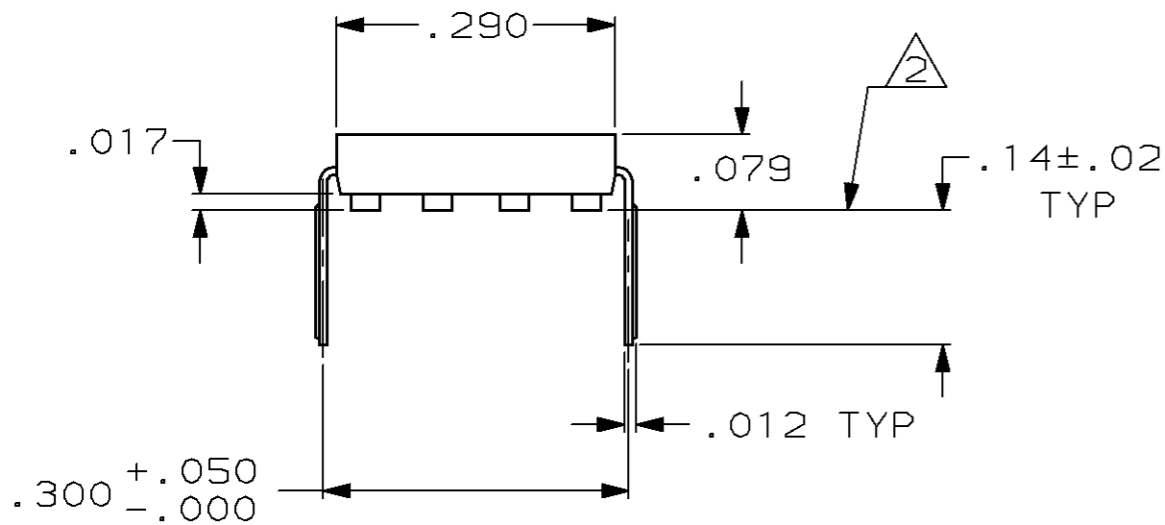


THIS DRAWING IS UNPUBLISHED. RELEASED FOR PUBLICATION, 19 .  
 © COPYRIGHT 19 BY AMP INCORPORATED. ALL INTERNATIONAL RIGHTS RESERVED.

LOC	DIST	P	F	ZONE	LTR	DESCRIPTION	DATE	APPD
AG	1				V	REACT-9; PER 0650-0052-98	5-6-98	LM



① PIN NUMBER ONE IDENTIFICATION.  
 ② MOUNTING SURFACE WHEN INSERTED IN .040 DIA MOUNTING HOLES.



	PLATING	A	NO. OF POSN	PART NO
OBSOLETE	.000015 MIN GOLD ON CONTACT LEADS,	.400	4	1-435704-6
OBSOLETE	OVER NICKEL.	.800	8	1-435704-4
	.000100 MIN. TIN OVER NICKEL	1.200	12	1-435704-2
		1.000	10	1-435704-0
		.900	9	435704-9
		.800	8	435704-8
		.700	7	435704-7
		.600	6	435704-6
OBSOLETE		.500	5	435704-5
		.400	4	435704-4
OBSOLETE		.300	3	435704-3
OBSOLETE		.200	2	435704-2

DO NOT SCALE PRINT. UNLESS SPECIFIED DIMENSIONS TOLERANCES ON: 2 PLC DEC ± - 3 PLC DEC ± .005 ANGLES ± -	DR 12 OCT 1989 M.CYRUS	AMP INCORPORATED Harrisburg, Pa. 17105		
MATERIAL HOUSING: BLACK POLYESTER CONTACT: COPPER ALLOY	CHK -			NAME SHUNT, DIP, PROGRAMMABLE 7600 SERIES
FINISH SEE TABLE	APPD -	SIZE <b>B</b>	CAGE CODE 00779	DRAWING NO 435704
	APPD -	SCALE 5:1	SHEET 1 OF 1	
	PRODUCT SPEC -			
	APPLICATION SPEC -			
	WEIGHT -			

单击下面可查看定价，库存，交付和生命周期等信息

[>>TE Connectivity\(泰科\)](#)