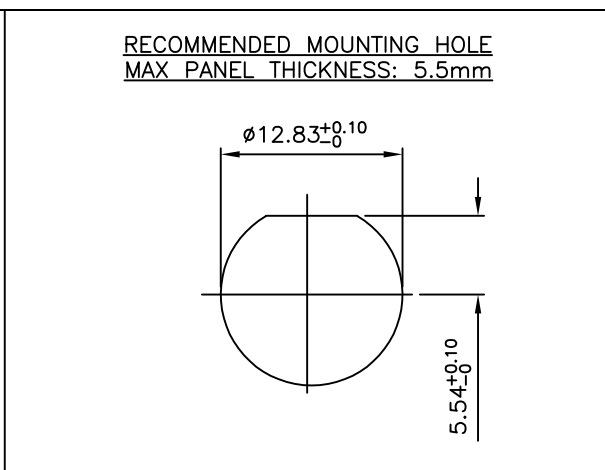
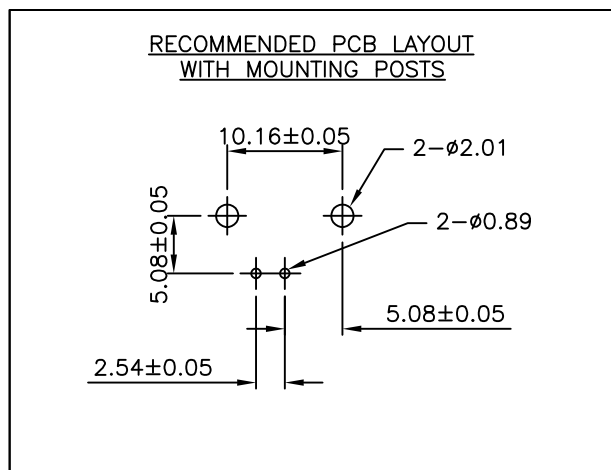
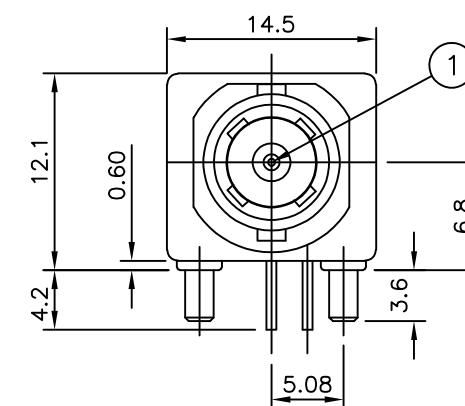
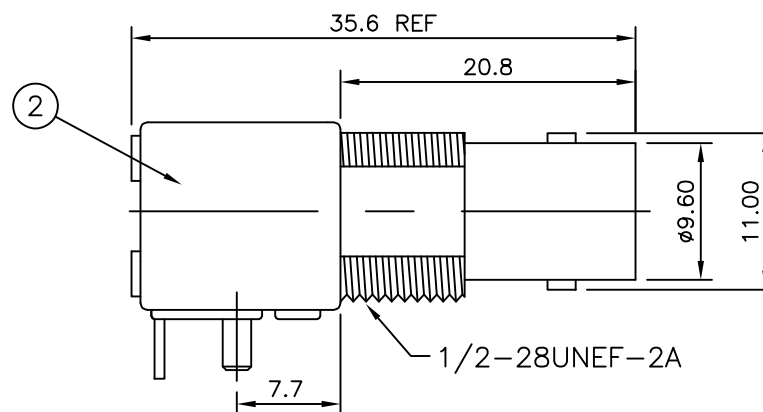
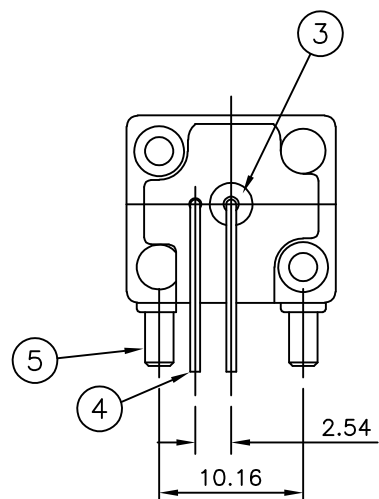


LOC	DIST	REVISIONS					
E	B	P	LTR	DESCRIPTION	DATE	DWN	APVD
		D		ECO-09-003420	05 Mar 09	RITA	BOB

- NOTES:
- 1 SINGLE PACK IN ACCORDANCE WITH AMP SPEC 107-3275
 - 2 50 TRAY PACK IN ACCORDANCE WITH AMP SPEC 107-3275
 - 3 Au PLATING
 - 4 Ni PLATING
 - 5 TIN PLATING
 - 6. FOR TECHNICAL DATA REFER TO YOUR LOCAL TYCO ELECTRONICS SALES OFFICE
 - 7. ALL DIMENSIONS ARE NOMINAL FOR REFERENCE ONLY UNLESS OTHERWISE STATED



QTY	QTY	MATERIAL	DESCRIPTION	ITEM
2	2	BRASS	MOUNTING POST	5
1	1	BRASS	SOLDER TAIL	4
1	1	PE-606	INSULATOR	3
1	1	ZINC ALLOY	BODY	2
1	1	BRASS	CONTACT	1
6--0	1--0	MATERIAL	DESCRIPTION	ITEM

THIS DRAWING IS A CONTROLLED DOCUMENT.		DWN RITA ZUO 05 Mar 09	Tyco Electronics Corporation Kunshan, Jiangsu, PRC 215312		
DIMENSIONS: MM		CHK ANSON MA 05 Mar 09	NAME BNC SHIELDED LOW PROFILE ELBOW PCB SOCKET 75 OHM		
TOLERANCES UNLESS OTHERWISE SPECIFIED:		APVD BOB ZHAO 05 Mar 09	PRODUCT SPEC 108-112000		
0 PLC ± 0.5		APPLICATION SPEC			
1 PLC ± 0.3		SIZE A3			
2 PLC ± 0.2		CAGE CODE 00779			
3 PLC ± -		DRAWING NO C-1478030			
4 PLC ± -		RESTRICTED TO			
ANGLES ± -		SCALE NTS			
MATERIAL SEE TABLE		FINISH SEE TABLE			
WEIGHT -		SHEET 1 OF 1			
CUSTOMER DRAWING		REV D			

单击下面可查看定价，库存，交付和生命周期等信息

[>>TE Connectivity\(泰科\)](#)