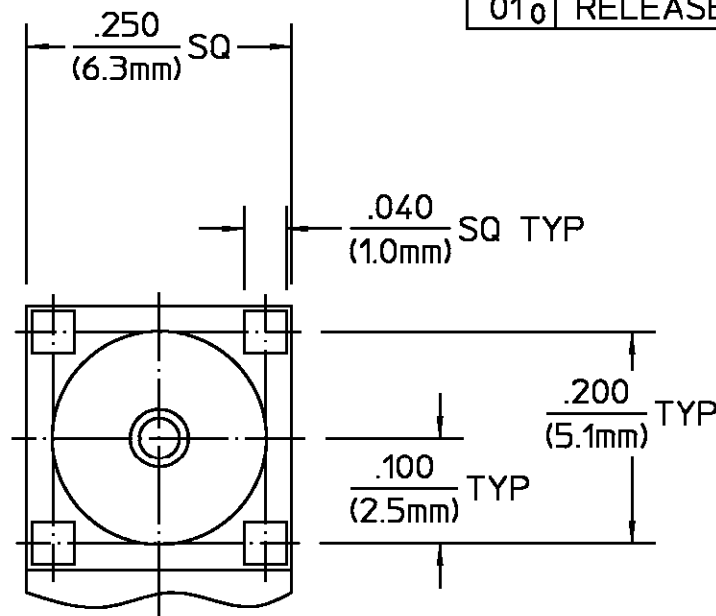
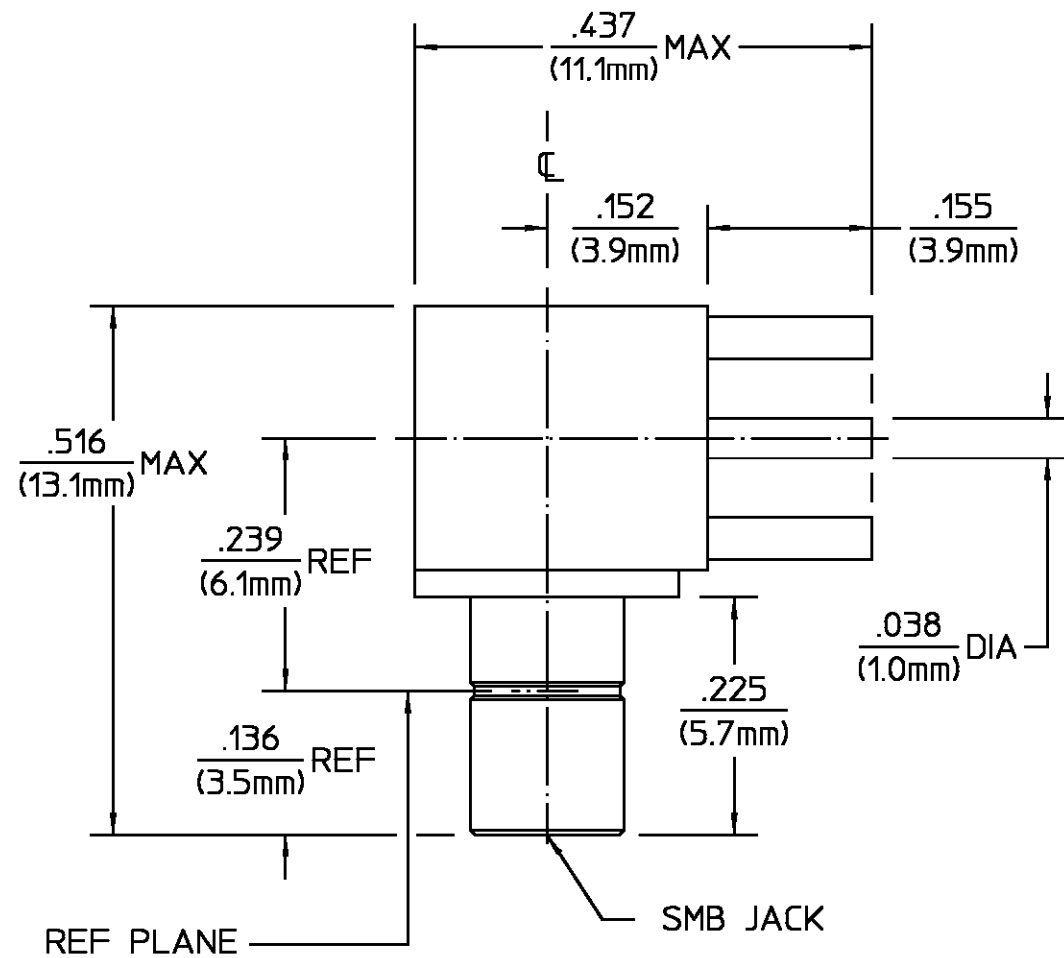


REVISIONS			
REV	DESCRIPTION	DATE	APPROVED
010	RELEASED	4/14/95	<i>D. Cornelli</i>



DESIGN CONTROL REQUIRED

HOUSING CAP	BRASS PER ASTM-B-16 HALF HARD	GOLD PLATE PER MIL-G-45204
DIELECTRIC	TFE FLUOROCARBON PER ASTM-D-1457	N/A
CENTER CONTACT CONTACT EXT.	BERYLLIUM COPPER PER ASTM B 196, ALLOY C17300, CONDITION H	GOLD PLATE PER MIL-G-45204
COMPONENT	MATERIAL	FINISH
<small>UNLESS OTHERWISE SPECIFIED DIMENSIONS ARE IN INCHES TOLERANCE ON</small>		
<small>FRAC. DEC. ANGLES ± 1/64 ± .005 ± 1°</small>		<small>AMP Incorporated 140 Fourth Avenue Waltham, MA 02451-7599</small>
<small>DRAWN BY: <i>D. Cornelli</i> DATE: 4/14/95</small> <small>CHECKED BY:</small> <small>APP'D BY: <i>D. Cornelli</i> 4/14/95</small>		
<small>These drawings and specifications are the property of M/A-COM incorporated and shall not be reproduced or copied or used in whole or in part as the basis for the manufacture or sale of item(s) without written permission.</small>		<small>USE ASSY PROCEDURE</small> <small>NO. AP. N/A</small>
<small>TITLE</small> SMB RIGHT ANGLE PRINTED CIRCUIT BOARD JACK RECEPTACLE - STRAIGHT TERMINAL		
<small>SIZE</small> B	<small>CODE IDENT NO.</small> 26805	<small>REV</small> 010
<small>SCALE</small> 6:1		<small>SHEET 1 OF 1</small>

NOTES:
1. CAPTURED CENTER CONTACT

CUSTOMER DRAWING

AMP PART # 1046283-1
SHEET 1 OF 1 REV A

单击下面可查看定价，库存，交付和生命周期等信息

[>>TE Connectivity\(泰科\)](#)