

THIS DRAWING IS UNPUBLISHED.

RELEASED FOR PUBLICATION

ALL RIGHTS RESERVED.

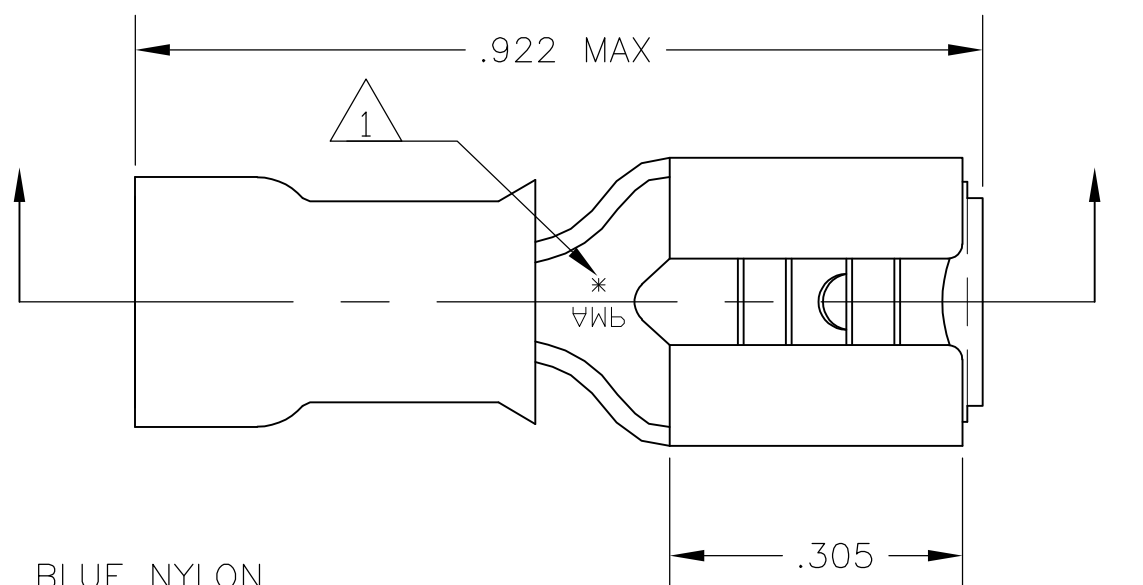
© COPYRIGHT - By -

LOC
G

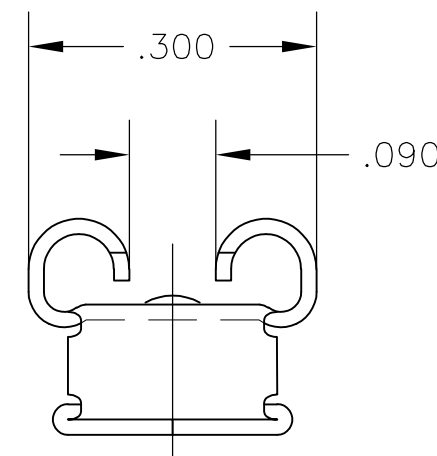
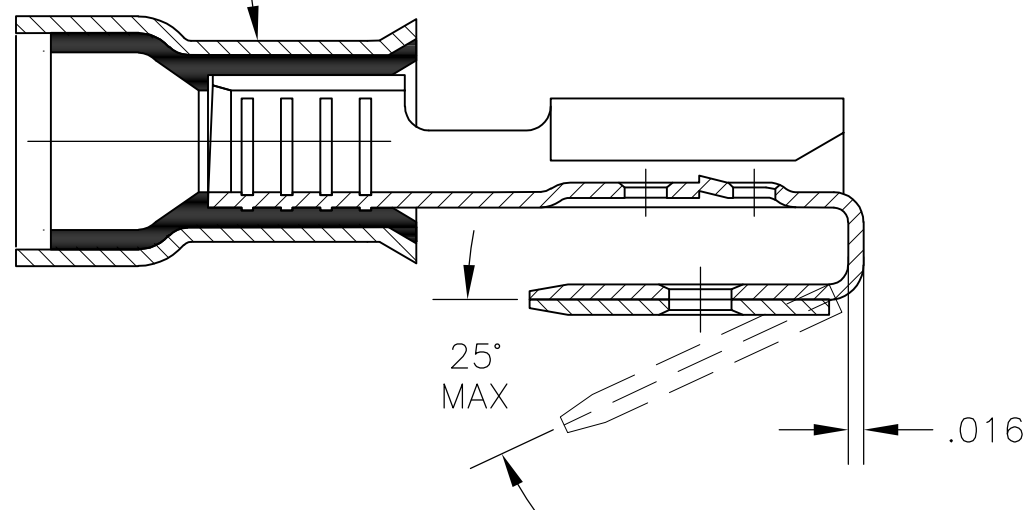
DIST
02

REVISIONS

P	LTR	DESCRIPTION	DATE	DWN	APVD
	F3	REVISED PER ECO-11-004917	11MAR11	RK	HMR



BLUE NYLON INSULATION



- 1 MATING TAB THICKNESS .032
- 2 ASTERISK * FOR PHOS. BRONZE ITEMS ONLY.
- 3 WIRE INSULATION DIA TO BE .170 MAX.
- 4 MAX RECOMMENDED OPERATING TEMP IS 105°C OR 221°F.
- 5 VOLTAGE RATING IS 300V MAX
- 6 CIRCULAR MIL AREA 1.0-2.5mm² [1973-4934].

PHOS BRONZE ELECTRO-TIN	2	9-160463-5
BRASS ELECTRO-TIN		9-160463-2
DESCRIPTION		PART NO

THIS DRAWING IS A CONTROLLED DOCUMENT.		DWN jr_ruth	11JUL05	STE TE Connectivity	
DIMENSIONS: INCHES		CHK T MICHELUTTI	11JUL05		
TOLERANCES UNLESS OTHERWISE SPECIFIED:		APVD T MICHELUTTI	11JUL05	NAME 250 SERIES P.I.D.G. FASTON REC, ASS'Y, PIGGYBACK WIRE SIZE : 16-14 AWG	
0 PLC ± -		PRODUCT SPEC		SIZE	CAGE CODE
1 PLC ± -		APPLICATION SPEC		DRAWING NO	RESTRICTED TO
2 PLC ± .02				A3	00779
3 PLC ± .005				C-160463	
4 PLC ± -				SCALE	SHEET
ANGLES ± 0°30'		WEIGHT	-	5:1	1 OF 1
MATERIAL	FINISH	CUSTOMER DRAWING		REV	F3

单击下面可查看定价，库存，交付和生命周期等信息

[>>TE Connectivity\(泰科\)](#)