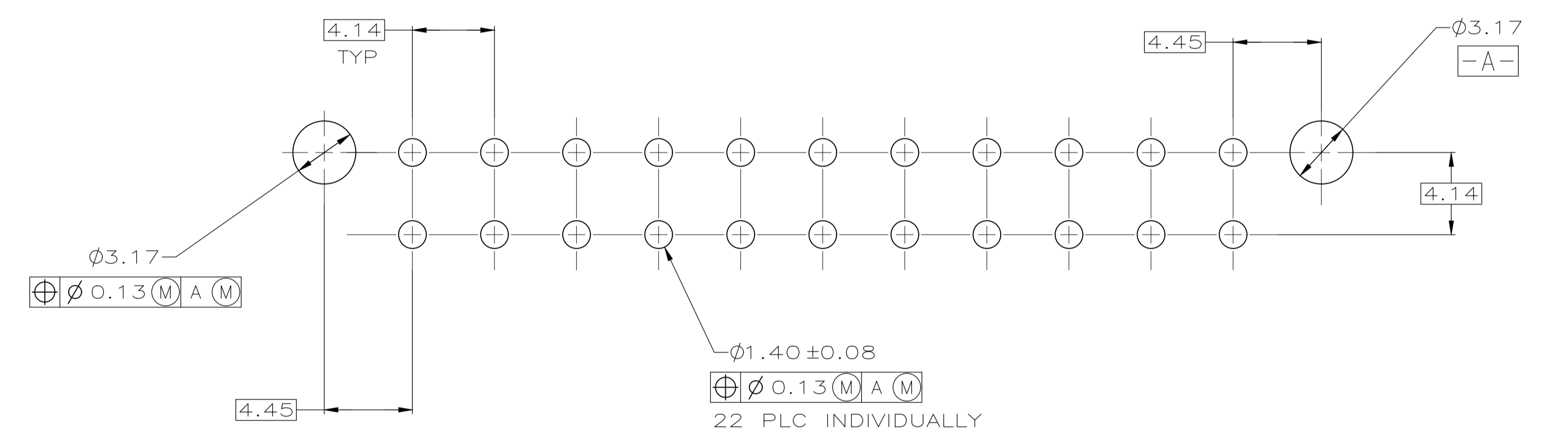
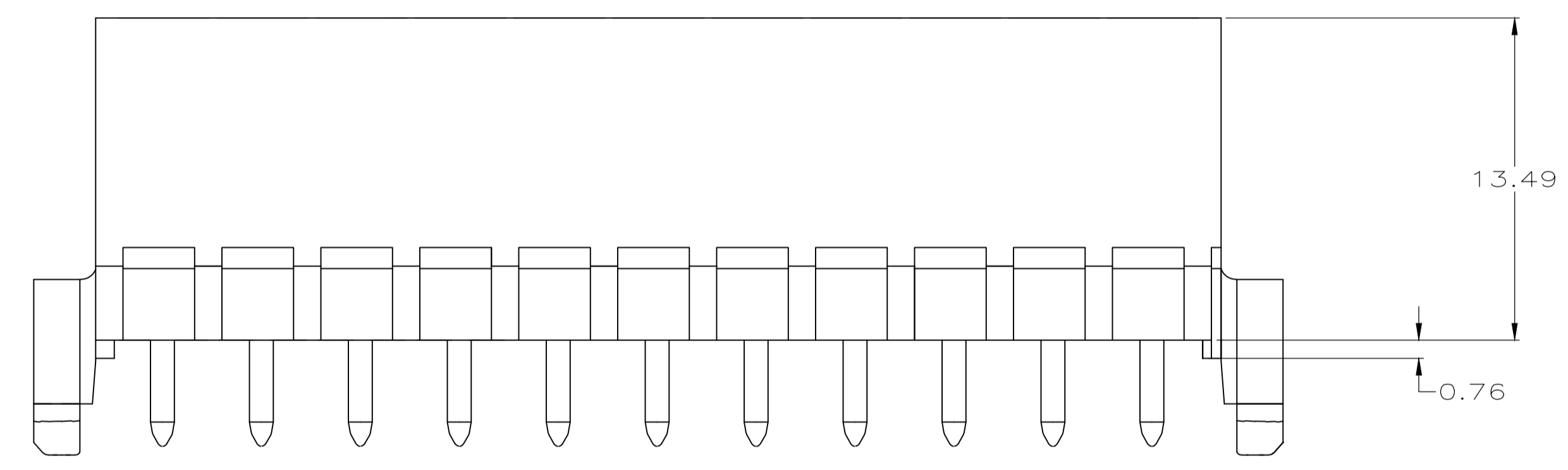
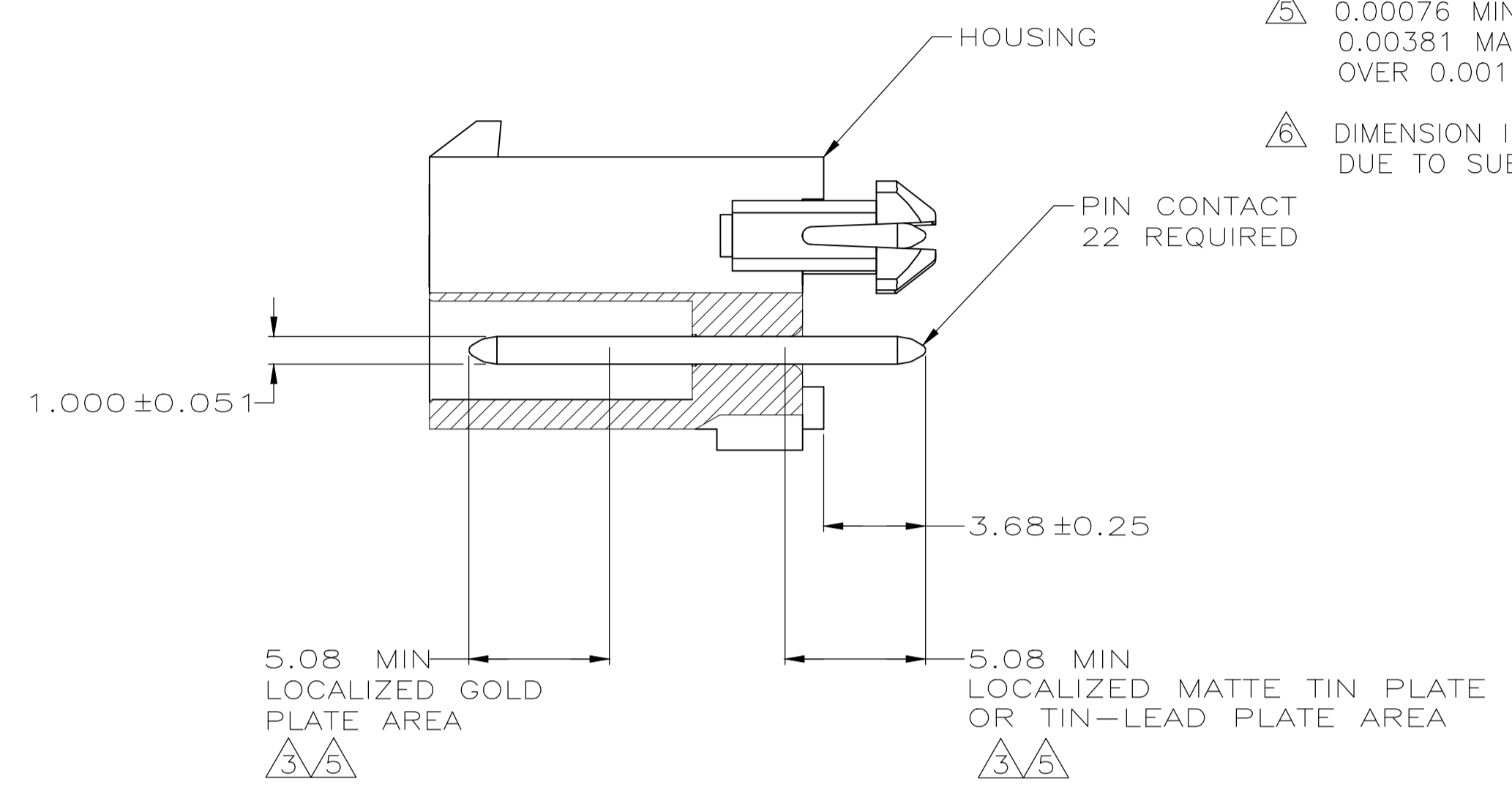
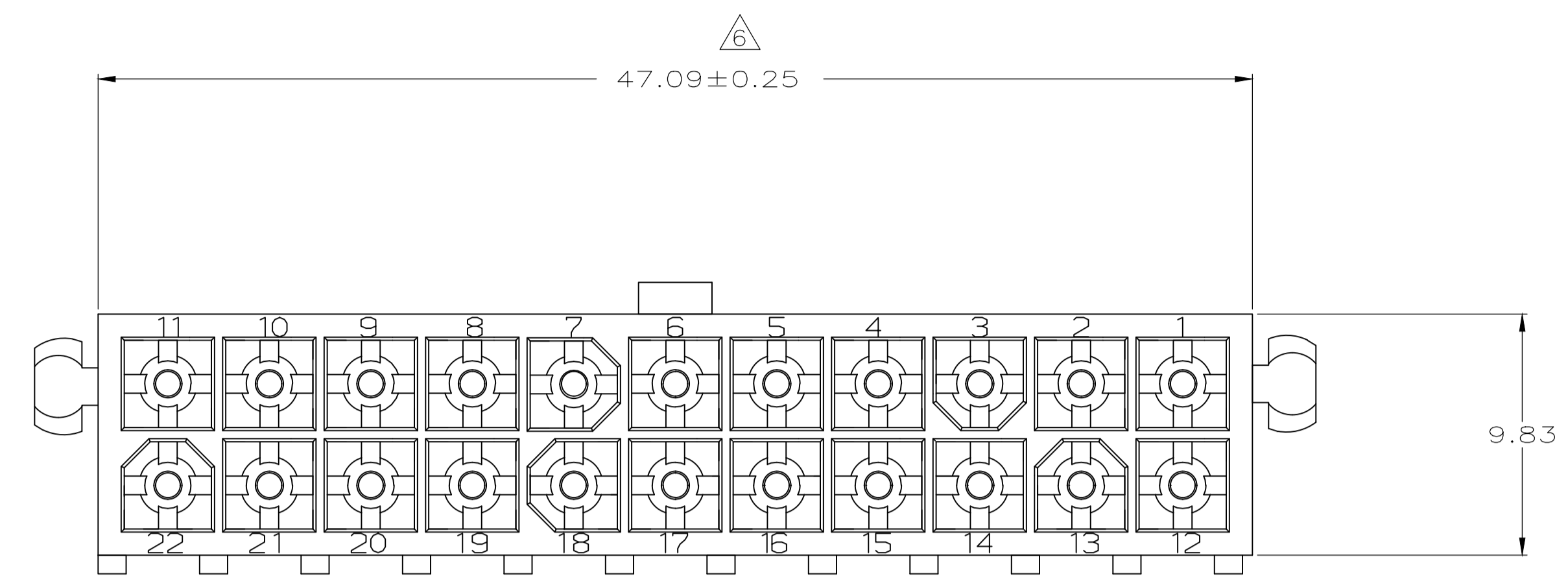
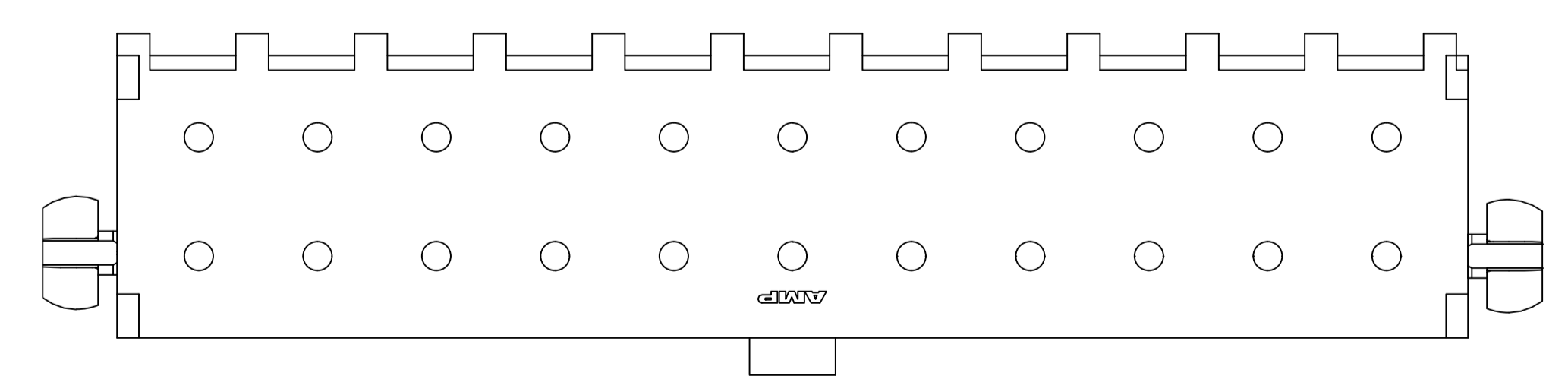


REVISIONS				
P	LTR	DESCRIPTION	DATE	BY
F1		REVISED PER ECR-18-005392	28NOV2018	BDA SG

- PINS TO COMPLY WITH AMP SOLDERABILITY SPEC. 108-11-3.
- 0.00381 MIN MATTE TIN LEAD OVER 0.00127 MIN NICKEL.
- 0.00076 MIN GOLD PLATE IN THE LOCALIZED PLATE AREA, 0.00381 MATTE TIN LEAD IN THE LOCALIZED PLATE AREA, BOTH OVER 0.00127 MIN NICKEL.
- 0.00381 MIN MATTE TIN OVER 0.00127 MIN NICKEL.
- 0.00076 MIN GOLD PLATE IN THE LOCALIZED PLATE AREA, 0.00381 MATTE TIN IN THE LOCALIZED PLATE AREA, BOTH OVER 0.00127 MIN NICKEL.
- DIMENSION INDICATED IS AS MOLDED. ADDITIONAL GROWTH DUE TO SUBSEQUENT MOISTURE ABSORPTION MAY OCCUR.



RECOMMENDED MOUNTING HOLE PATTERN FOR 1.57 THICK P.C. BOARD



OBSOLETE	BRASS, GOLD	△5	NYLON, 94V-0, WHITE	—1-794078-1—
	BRASS, TIN	△4	NYLON, 94V-0, WHITE	1-794078-0
	BRASS, GOLD	△3	NYLON, 94V-0, WHITE	794078-2
OBSOLETE	BRASS, TIN LEAD	△2	NYLON, 94V-0, WHITE	—794078-1—
PIN CONTACT MATERIAL AND FINISH		HOUSING MATERIAL AND COLOR		PART NUMBER

THIS DRAWING IS A CONTROLLED DOCUMENT.

DIMENSIONS: mm	TOLERANCES UNLESS OTHERWISE SPECIFIED:	DWG: K. WHITAKER 5-16-95	CHK: R. SWING 5-16-95	APPROVED: R. ORSTAD 6-13-95	NAME: R. ORSTAD	DATE: 6-13-95	PRODUCT SPEC: PRODUCT SPEC	APPLICATION SPEC: APPLICATION SPEC	SIZE: A1	SCALE: 5:1	WEIGHT: —	DRAWING NO: 00779	REV: 1	RESTRICTED TO: —
----------------	--	--------------------------	-----------------------	-----------------------------	-----------------	---------------	----------------------------	------------------------------------	----------	------------	-----------	-------------------	--------	------------------

MATERIAL: SEE TABLE FINISH: SEE TABLE

CUSTOMER DRAWING

TE Connectivity Ltd.

HEADER ASSEMBLY, CLOSED BOTTOM, 22 CIRCUIT, DOUBLE ROW VERTICAL, MINI-UNIVERSAL MATE-N-LOK

00779-794078

SCALE 5:1 SHEET 1 OF 1 REV F1

单击下面可查看定价，库存，交付和生命周期等信息

[>>TE Connectivity\(泰科\)](#)