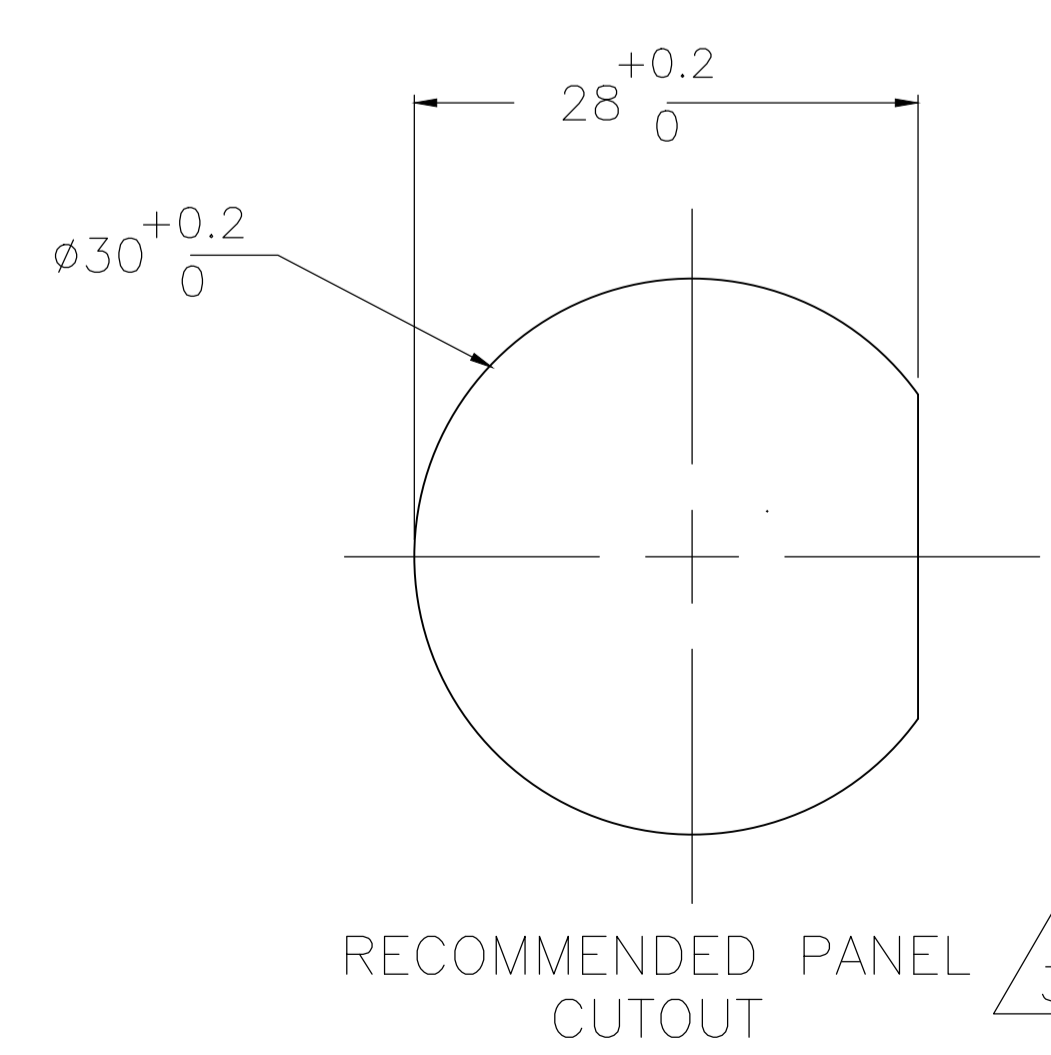
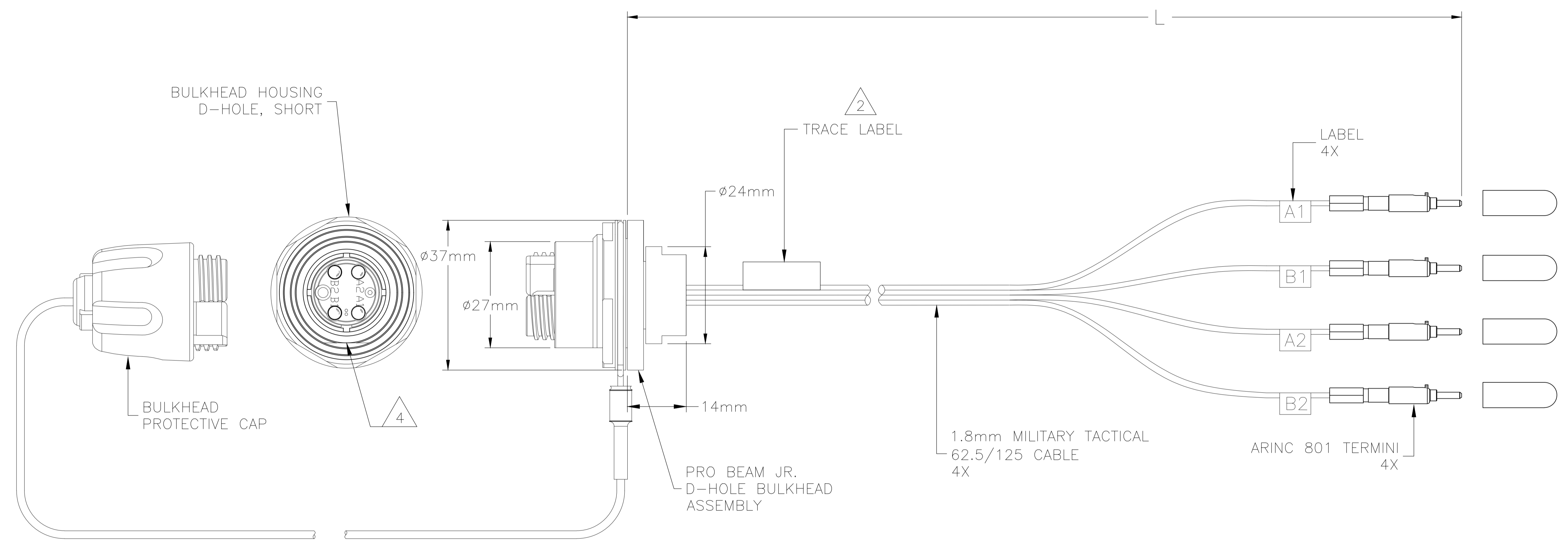


REVISIONS					
P	LTR	DESCRIPTION	DATE	DMN	APVD
6		ECR-18-000233	10JAN18	KG	DW

1. MAXIMUM CONNECTOR INSERTION LOSS:
1.5 dB PRO BEAM JR. END (850nm)
0.4 dB LuxCis END (850nm)

△ PANEL SHOULD BE BETWEEN 1mm AND 4mm THICKNESS.

- △ 2 SEE TRACE LABEL DETAIL.
- △ 3 RECEPTACLE IS DESIGNED FOR REAR MOUNT.
- △ 4 FLAT ON BULKHEAD HOUSING WILL BE LOCATED ON A1,B1 SIDE OF INSERT.



XXXXXXXXXXXXXXXXXX

6918413-X

- } CUSTOMER P/N
- } TE TRACE NO.
- } TE P/N

TRACE LABEL DETAIL △ 2

PRO BEAM JR. POSITION	ARINC 801 LABEL
A1	A1
B1	B1
A2	A2
B2	B2

FIBER PATH CHART

DESIGN APPROVED THIS PRINT IS

PRELIMINARY

TO FIRST PIECE APPROVAL CONTACT PRODUCT ENGINEERING BEFORE USING THIS PRINT

6.00±.25	6918413-1
L	PART NUMBER

THIS DRAWING IS A CONTROLLED DOCUMENT.		DIN K. GLATFELTER 11APR2006		TE Connectivity	
DIMENSIONS: FEET		TOLERANCES UNLESS OTHERWISE SPECIFIED:		APVD J. SHIPP 01MAY2006	
0. PLC	± -	PRODUCT SPEC		NAME	
1. PLC	± -	APPLICATION SPEC		CABLE ASSEMBLY, FO, 4 FIB, 62.5/125	
2. PLC	± -	MATERIAL		PRO BEAM JR. D-HOLE BLKHD TO (4) ARINC 801	
3. PLC	± -	FINISH		SIZE CASE CODE DRAWING NO	
4. PLC	± -	WEIGHT		A1 00779 C=6918413	
ANGLES	± -	CUSTOMER DRAWING		SCALE NTS SHEET 1 OF 1 REV 6	

单击下面可查看定价，库存，交付和生命周期等信息

[>>TE Connectivity\(泰科\)](#)