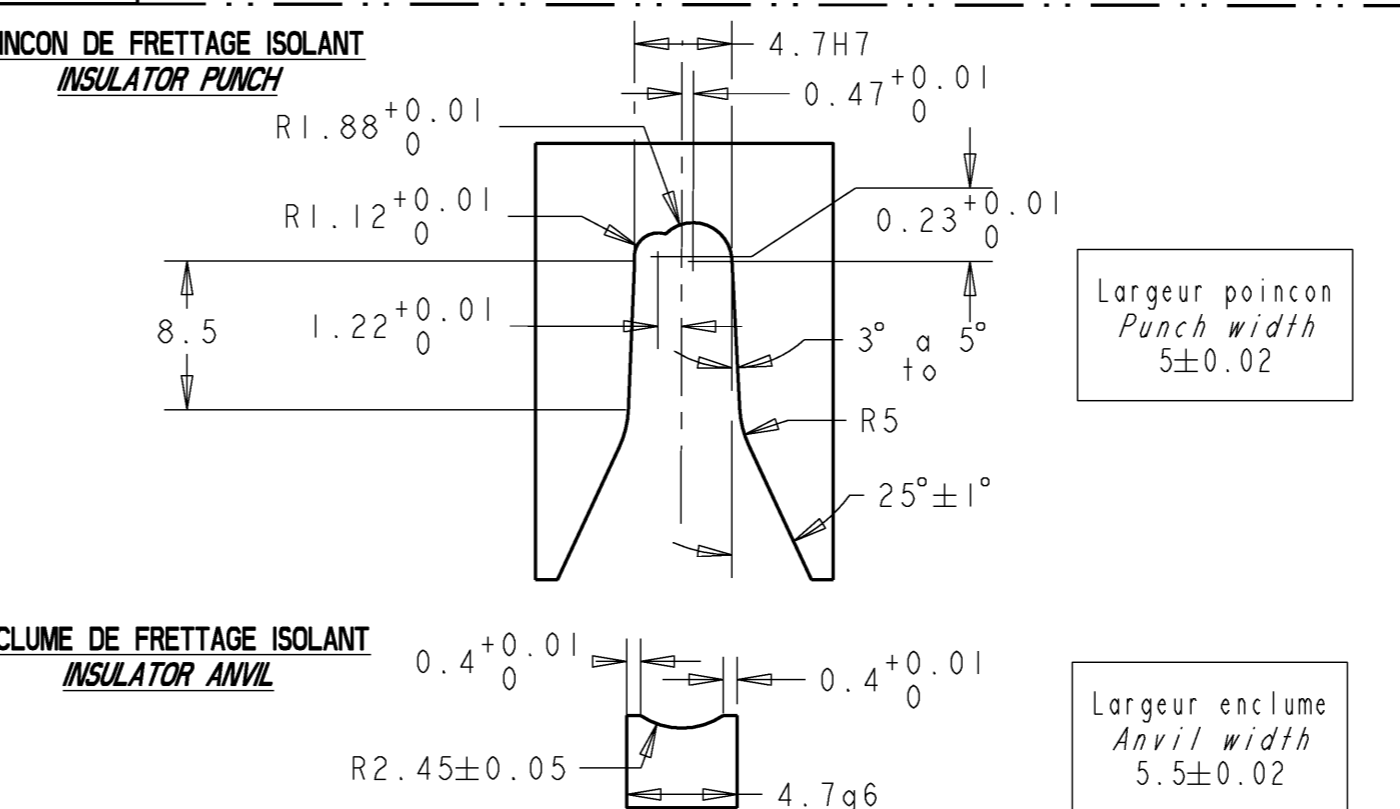
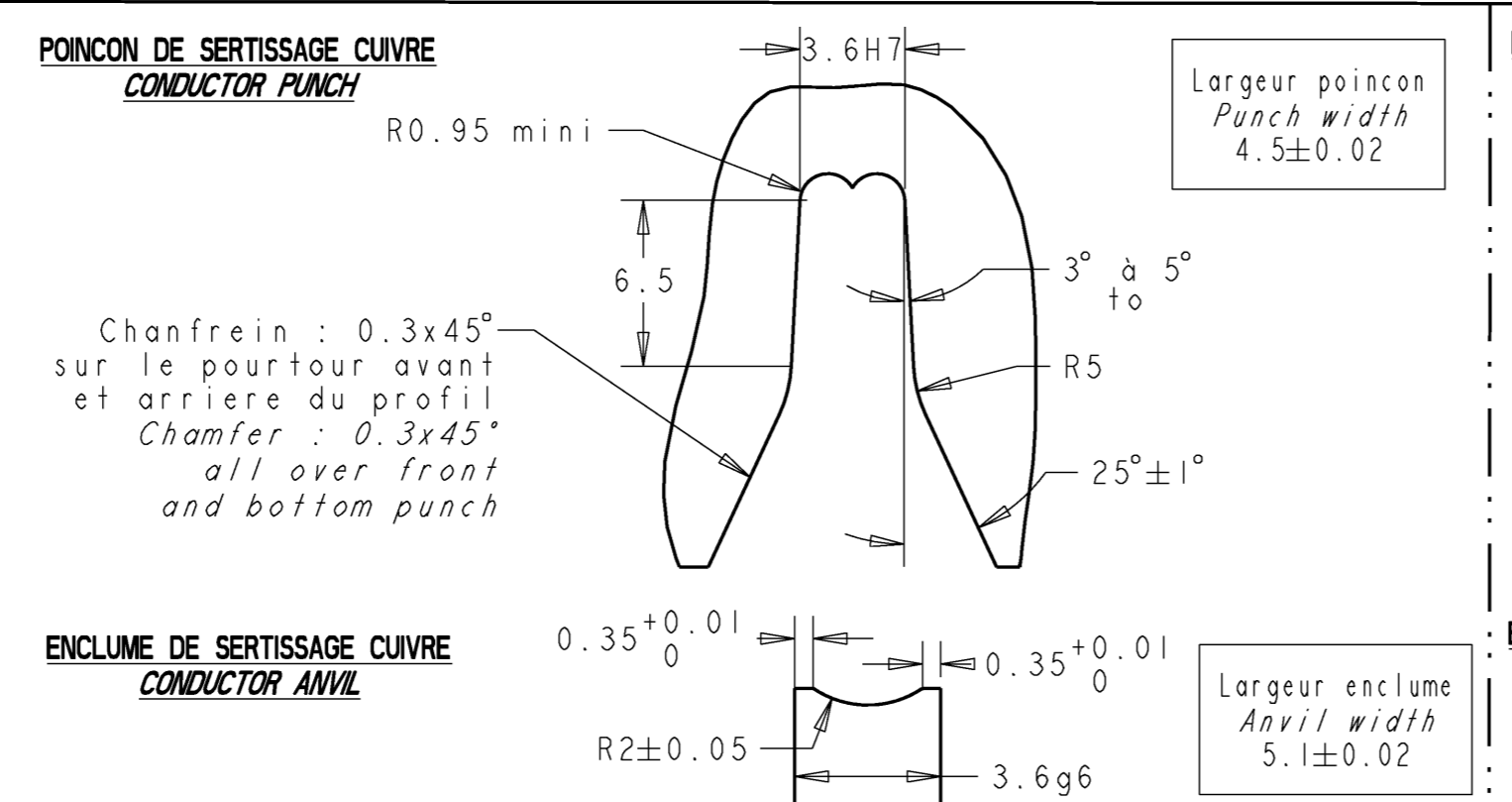


REVISIONS				
REV	DESCRIPTION	DATE	OWN	APPV
E	First issue	14SEPT2005	PFs	JDr
F	PACKAGING MODIFICATION	30OCT2007	PFs	JDr

CARACTERISTIQUES A VERIFIER / CHARACTERISTICS TO CHECK		VALEUR / VALUE	REPÈRE / ITEM
DEFORMATION APRES SERTISSAGE / DEFORMATION AFTER CRIMPING	FLEXION VERS LE HAUT / UP BENDING	2°	A
	FLEXION VERS LE BAS / DOWN BENDING	2°	B
	TORSION / TWIST	5°	C
DEFORMATION SUIVANT L'AXE DE LA PIÈCE / AXIAL DEFORMATION		2°	D - E
LONGUEUR DE DENUDAGE / STRIPPING LENGTH		6.5 ^{+0.5} / ₀	F
DEPASSEMENT DU FIL / WIRE EXCESS		0.3 ^{+0.5} / ₀	G

MISE EN BANDE ET CONDITIONNEMENT / PACKAGING
 VOIR SPEC 107-15606 /
 SEE SPECIFICATION 107-15606



PARAMETRES DE SERTISSAGE / CRIMPING PARAMETERS											
SERTISSAGE DU CUIVRE / CONDUCTOR CRIMPING	LONGUEUR D'AILLE / LAYOUT : 12.2 / EPAISSEUR METAL / METAL THICKNESS : 0.4					FRETTAGE DE L'ISOLANT (par recouvrement) / INSULATOR CRIMPING (Overlapping) / LONGUEUR D'AILLE / LAYOUT : 15.8 / EPAISSEUR METAL / METAL THICKNESS : 0.4					
	SECTION	REELLE REAL	LARGEUR WIDTH	HAUTEUR HEIGHT	TRACTION (N) / TRACTION EFFORT (N)			CONFIGURATION	ISOLANT INSULATOR	SURFACE SURFACE	LARGEUR WIDTH
TYPE DE FIL / WIRE TYPE	mm ²	K ± 0.1	J ± 0.05	FIL 1 / WIRE 1	FIL 2 / WIRE 2	FIL 1+2 / WIRE 1+2	TYPE DE FIL / WIRE TYPE	Ø EQUIVALENT ^{+0.1} / _{-0.05}	A FRETTER TO CRIMP	L ± 0.1	H ± 0.1
IRI + 2RI	2.76	3.68	2.25	>140	>220	>300	IRI + 2RI	3.3	8.55	4.84	4.50
3RI	3.02	3.68	2.30	>300	-	-	3RI	3.2	8.04	4.81	4.45
1.4RI + 2RI	3.17	3.69	2.32	>180	>220	>340	1.4RI + 2RI	3.5	9.62	4.86	4.60
3RIS / 3R3S / 3R4S	3.18	3.69	2.35	>300	-	-	3RIS / 3R3S / 3R4S	3.2	8.04	4.80	4.45
0.6RI + 3RI	3.61	3.70	2.40	>100	>280	>360	0.6RI + 3RI	/	/	4.87	4.65
2RI + 2RI	3.64	3.70	2.41	>220	>220	>400	2RI + 2RI	3.7	10.75	4.85	4.65
IRI + 3RI	3.95	3.71	2.41	>140	>280	>400	IRI + 3RI	3.8	11.34	4.88	4.70
4R3S	3.95	3.71	2.41	>400	-	-	4R3S	3.6	10.18	4.83	4.70
1.4RI + 3RI	4.36	3.71	2.47	>180	>280	>440	1.4RI + 3RI	3.9	11.95	4.92	4.70
5RIS / 5R3S / 5R4S	4.95	3.72	2.57	>450	-	-	5RIS / 5R3S / 5R4S	3.9	11.94	4.85	4.72
3NI	3.02	3.68	2.30	>300	-	-	3NI	3.7	10.75	4.85	4.65
4NI	/	/	/	/	/	/	4NI	/	/	/	/
5NI	4.65	3.72	2.52	>450	-	-	5NI	4.4	15.20	4.90	4.85
6 ^Ø	5.45	3.72	2.63	-	-	-	6 ^Ø	4.1	13.2	4.88	5.02
2.5 ID ZH	2.62	3.70	2.20	-	-	-	2.5 ID ZH	2.8	6.16	4.80	3.95
1 + 2.5 ID ZH	3.55	3.70	2.38	-	-	-	1 + 2.5 ID ZH	3.5	9.62	4.86	4.60
4 ID ZH	3.96	3.71	2.41	>400	-	-	4 ID ZH	3.8	11.34	4.83	4.70
6 ID ZH	5.94	3.74	2.70	-	-	-	6 ID ZH	4.1	13.2	4.87	5.02

Le conducteur est tenu, sans traction excessive, a une distance correspondant a 20 fois son diametre avec un minimum de 60 mm.
 A L'ISSUE DU TEST ON NE DOIT OBSERVER AUCUN RETRAIT DE L'ISOLANT SOUS LES AILLETTES DE SERTISSAGE OU OUVERTURE DU DIT SERTISSAGE.
 LE NON RESPECT DE CES SANCTIONS ENTRAINE LE REFUS DU LOT CONSIDERE.
INSULATOR BARREL BENDING RESISTANCE
 The test is performed as following :
 Receptacle maintain in position, the wire suffer 10 cycles as :
 - initial position : conductor/wire horizontal
 - wire bending to 45°
 - wire bending to 45° opposite
 - return to initial position.
 The wire is maintain without extreme traction effort, at a distance corresponding to 20 diameter with a minimum of 60 mm
TEST ISSUE : NO SLIPPING OF INSULATOR OR OPENING OF THE BARREL / NO RESPECT OF THIS ISSUE WILL INVOLVE THE REJECTION OF THE SET

NOTA / NOTE :
 - Ce produit devra être conforme au sous-paragraphe "prohibition et restriction de substance" de la norme TS2000IG.
 - This part shall conform to sub-paragraph "substance prohibition and restriction" in TS2000IG.

SECTION	X mini
2.5mm ²	60 mm
6mm ²	120 mm

Tyco Electronics PN	1544133-1
CUSTOMER PN	

DWG/PRESSURE P.FLORES CHECK/VERIFIER L. CORONELLI DATE/DATE 14sep05 APV/APPROUVE J. DAHED DATE/DATE 16sep05		Tyco Electronics France SAS RN 90, 38530 Chaponnay	
DIMENSIONS: mm TOLERANCES UNLESS SPECIFIED (SUIV. NO. DE DECIMALES): 2 DEC/2 0.1 3 DEC/3 0.05 4 DEC/4 0.02 5 DEC/5 0.01		NAME: CLIP 6.35 NG1 GAMME 2.5 A 6mm ² PRODUCT SPEC: 6.35 NG1 TERMINAL RANGE 2.5 to 6mm ² APPLICATION SPEC: APPLICATION SPEC. APPLICATION FINISH: ANVILS 42° WEIGHT/MASSE APPROX. 0.00093kg CUSTOMER DRAWING / PLAN CLIENT POUR REFERENCE: A 00779 C-1544133	
MATERIAL/MATIERE: Cu μ allier		SHEET/FEUILLE OF/DE 1 REV. F	

单击下面可查看定价，库存，交付和生命周期等信息

[>>TE Connectivity\(泰科\)](#)