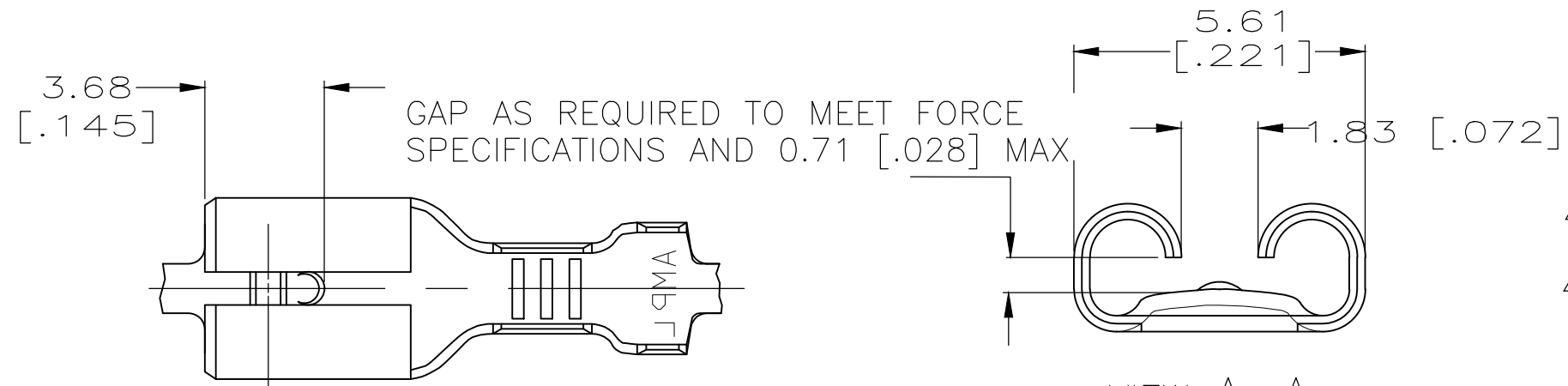


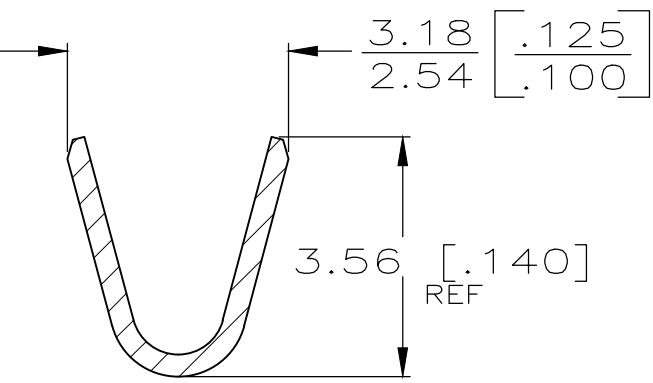
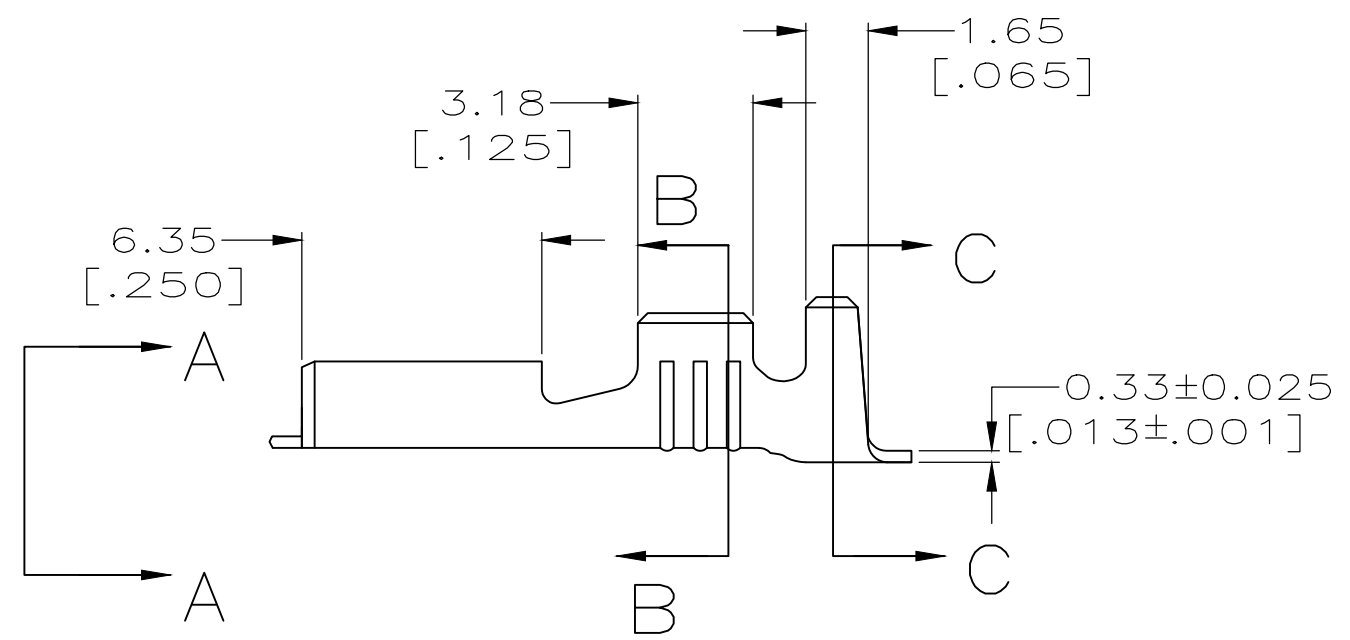
THIS DRAWING IS UNPUBLISHED. RELEASED FOR PUBLICATION
 © COPYRIGHT - By - ALL RIGHTS RESERVED.

LOC	DIST	REVISIONS			
P	LTR	DESCRIPTION	DATE	DWN	APVD
AF	50	J1	REVISED PER ECR-20-009164	3AUG2020	MK DH

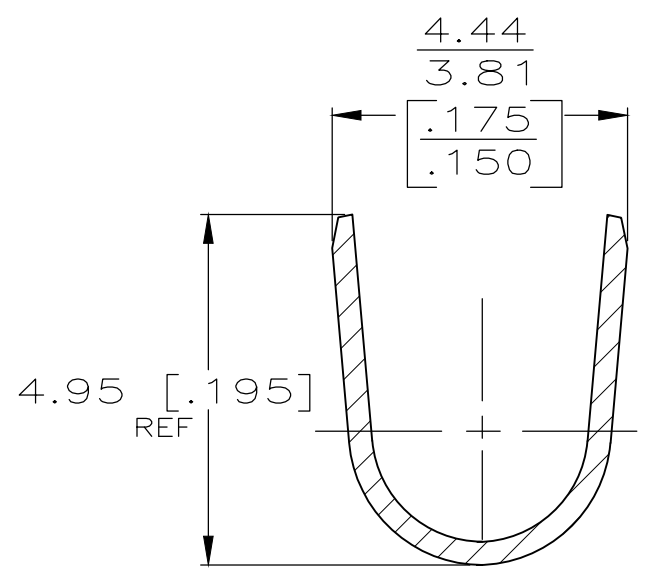
- 1 ACCEPTS WIRE SIZE [#20-#16] AWG.
- 2 INSULATION RANGE IS 2.29-3.30 [.090-.130] DIA.
- 3 CONTINUOUS STRIP ON REELS.
- 4 MATING TAB THK IS 0.84-0.76 [.033-.030].
- 5 SPECIAL PACKAGING
- 7 PRELIMINARY - NOT FOR PRODUCTION



VIEW A-A
SCALE 8:1



SECTION B-B
SCALE 8:1



SECTION C-C
SCALE 8:1

FINISH	MATERIAL	PART NO.
TIN	PHOS BRONZE	63477-6
-	BRASS	5 63477-5 7
TIN	BRASS	63477-2
-	BRASS	63477-1

THIS DRAWING IS A CONTROLLED DOCUMENT.		DWN	JR RUTH	11/9/87	TE Connectivity RECEPTACLE, LIF, FASTON, 4.75 [.187] SERIES					
DIMENSIONS: mm [INCHES]		CHK	G YETTER	11/10/87				NAME		
TOLERANCES UNLESS OTHERWISE SPECIFIED:		APVD	R KUZO	11/10/87				SIZE		
0 PLC ± - 1 PLC ± - 2 PLC ± 0.25 [.010] 3 PLC ± - 4 PLC ± - ANGLES ± -		PRODUCT SPEC	-					CAGE CODE	DRAWING NO	RESTRICTED TO
MATERIAL SEE TABLE		FINISH	SEE TABLE		WEIGHT	A3 00779 C-63477		SCALE		
CUSTOMER DRAWING					SCALE	5:1	SHEET	1 OF 1	REV	J1

单击下面可查看定价，库存，交付和生命周期等信息

[>>TE Connectivity\(泰科\)](#)