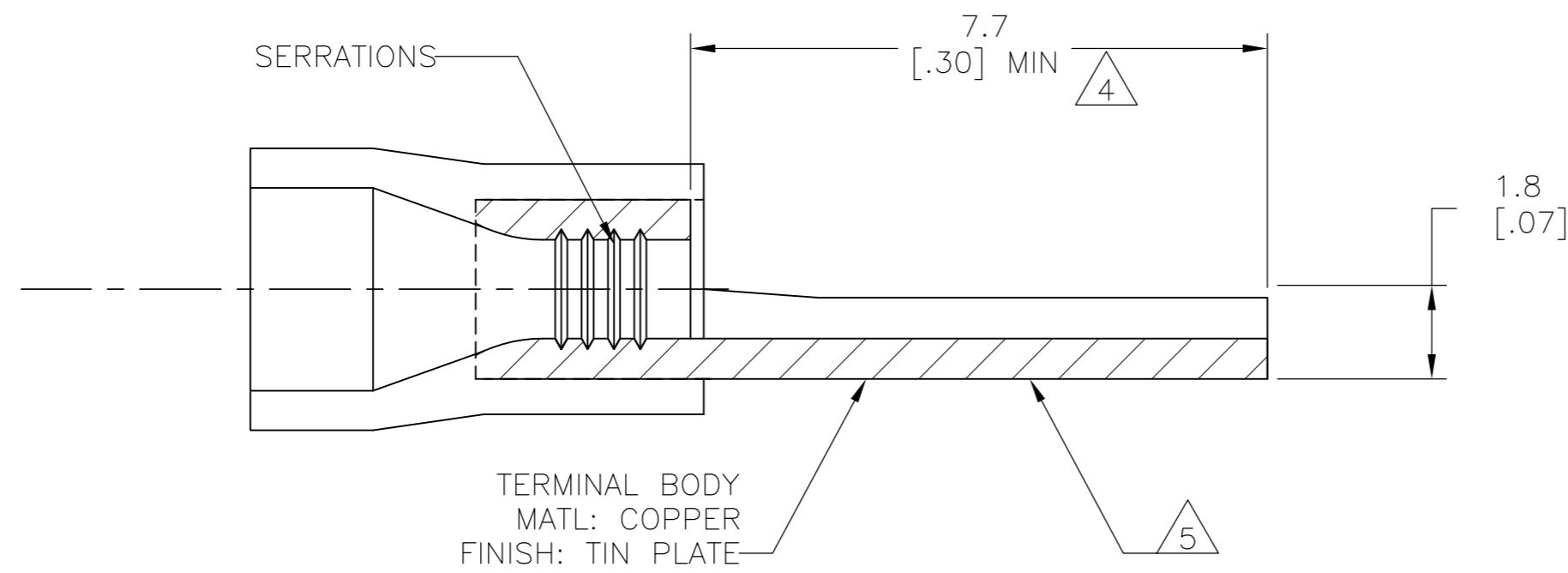
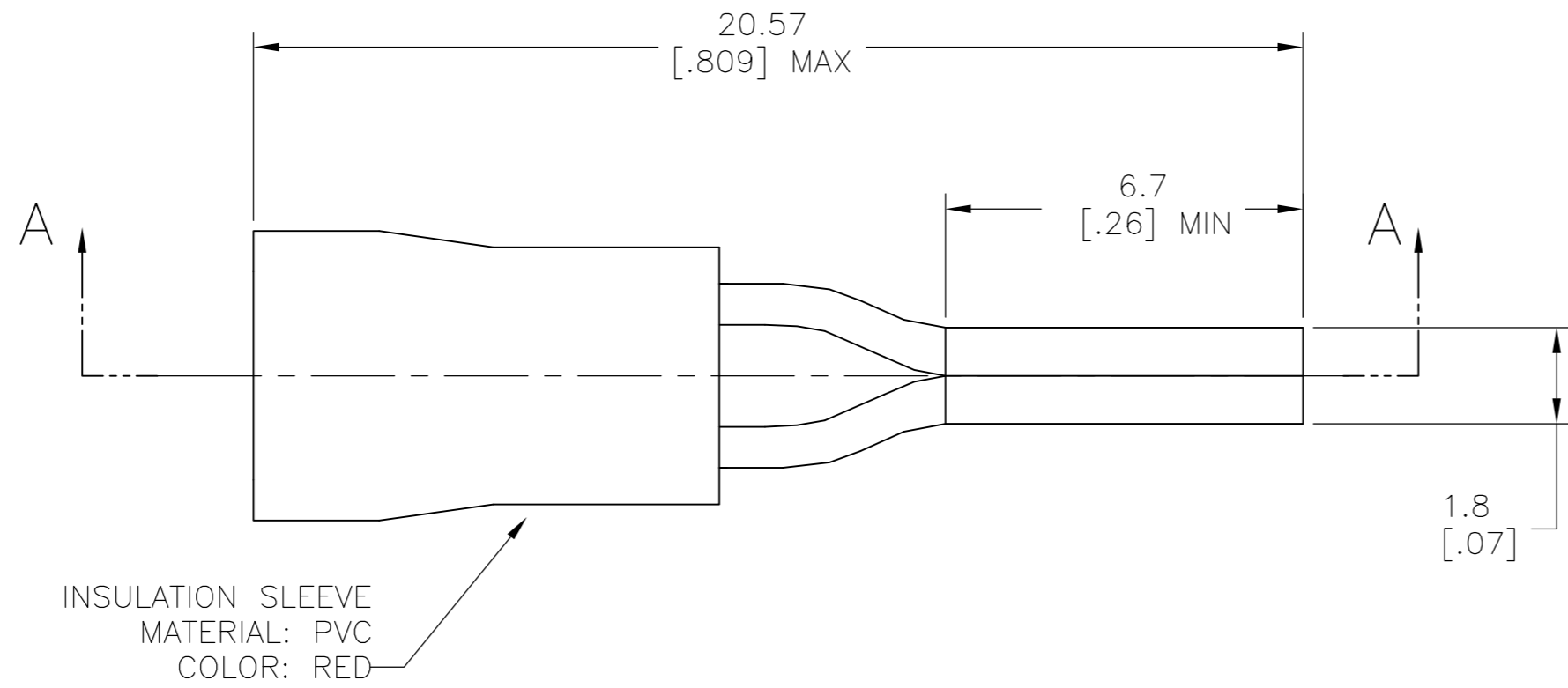


THIS DRAWING IS UNPUBLISHED. RELEASED FOR PUBLICATION  
 © COPYRIGHT - By - ALL RIGHTS RESERVED.

LOC		DIST		REVISIONS			
P	LTR	DESCRIPTION		DATE	DWN	APVD	
G	14	A		REVISED PER ECO-14-003208	18MAR2014	NK	DR



SECTION A-A

- 1 WIRE SIZE IS #22-#16 AWG
- 2 WIRE INSULATION DIA: 2.7 - 3.56[.11-.141]
- 3 MATERIAL THICKNESS IS 0.8[.03]
- 4 DIMENSION APPLIES FROM EDGE OF METAL WIRE BARREL TO END OF PIN
- 5 STAMP AMP 22-16\* APPROX AS SHOWN
- 6 MAX RECOMMENDED OPERATING TEMPERATURE 105°C[221°F]

LOOSE PEICE	STANDARD	1000	181630
PACKAGING	LABELLING	QTY RED	PART NO

THIS DRAWING IS A CONTROLLED DOCUMENT.		DWN jr ruth 02FEB06	TE Connectivity	
DIMENSIONS: mm [INCHES]		CHK T MICHELUTTI 02FEB06	NAME TERMINAL, WIRE PIN, PLASTI-GRIP,	
TOLERANCES UNLESS OTHERWISE SPECIFIED:		APVD T MICHELUTTI 02FEB06	PRODUCT SPEC	
0 PLC ± -		APPLICATION SPEC		
1 PLC ± 0.50[.019]		WEIGHT		
2 PLC ± -		SCALE 8:1		
3 PLC ± -		SHEET 1 of 1		
4 PLC ± -		REV A		
ANGLES ± 1°		CUSTOMER DRAWING		
MATERIAL		FINISH		
		SIZE CAGE CODE DRAWING NO RESTRICTED TO		
		A2 00779 C=181630		

单击下面可查看定价，库存，交付和生命周期等信息

[>>TE Connectivity\(泰科\)](#)