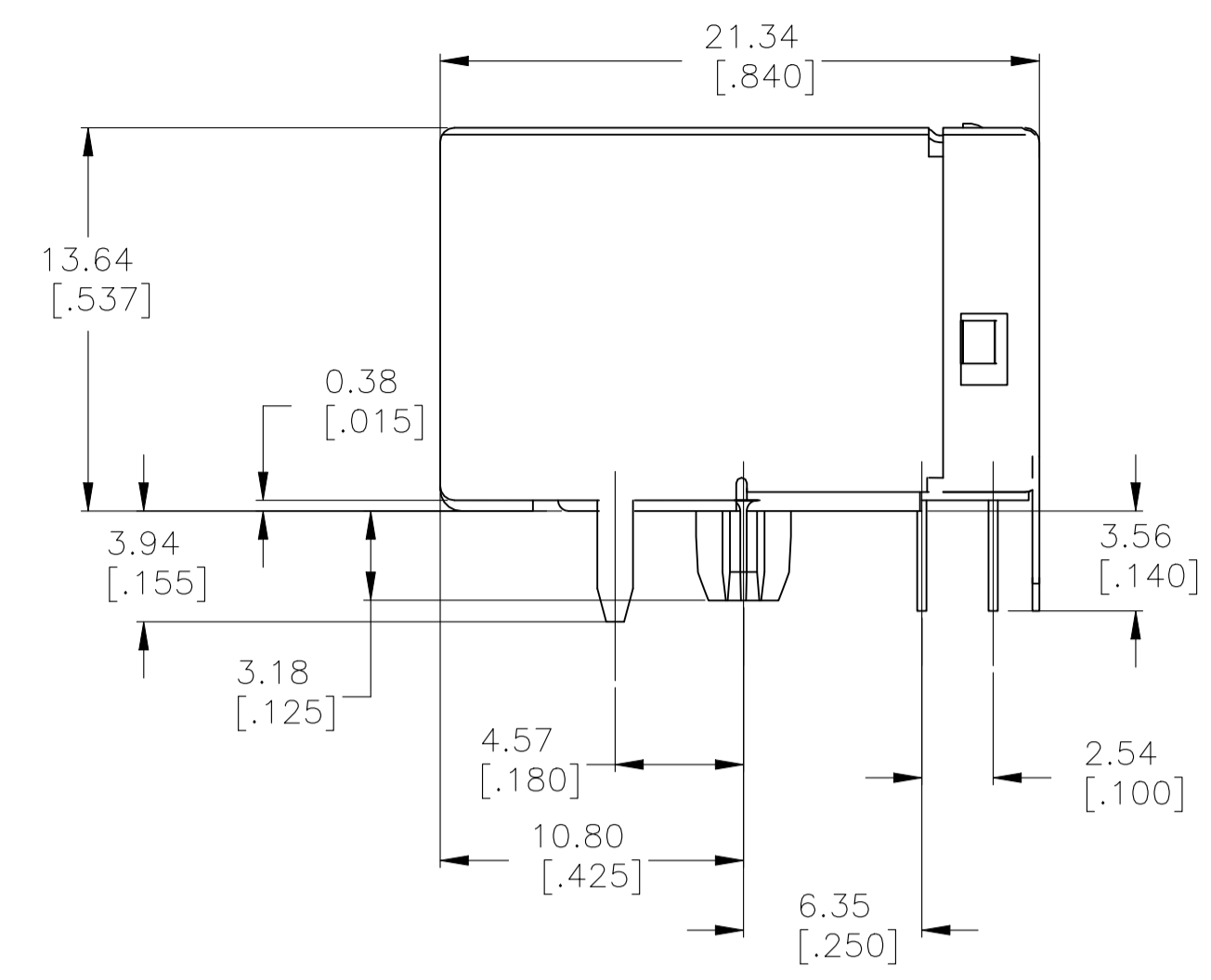
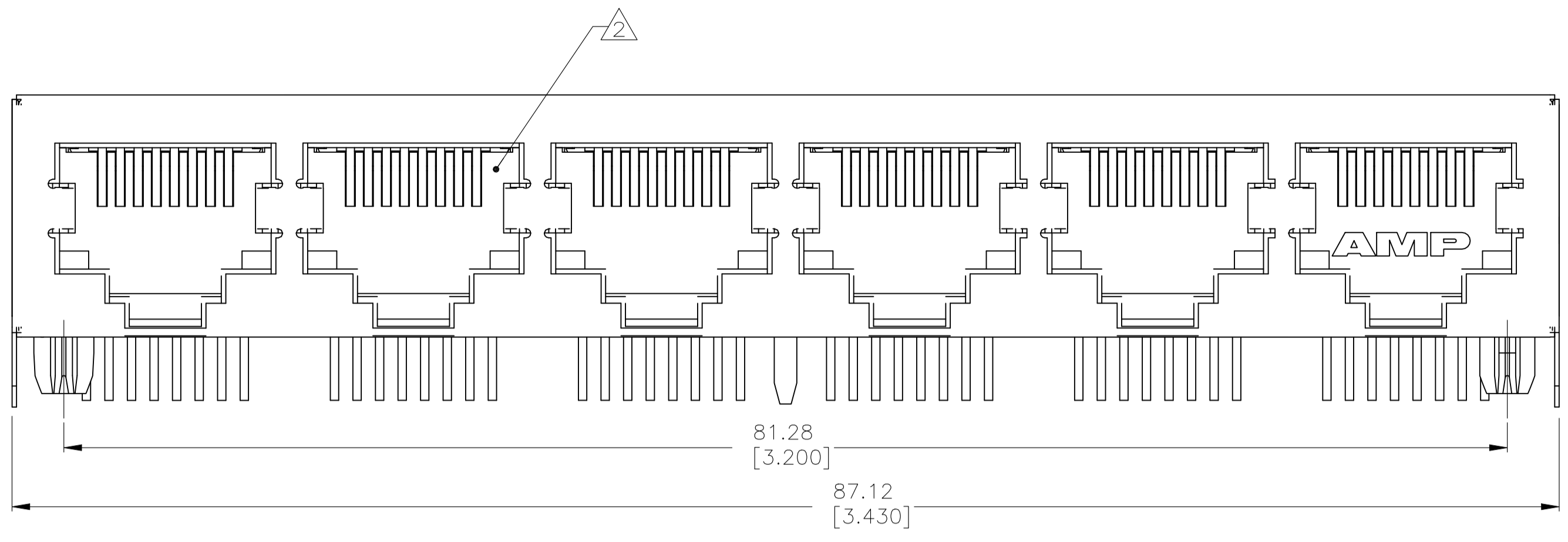
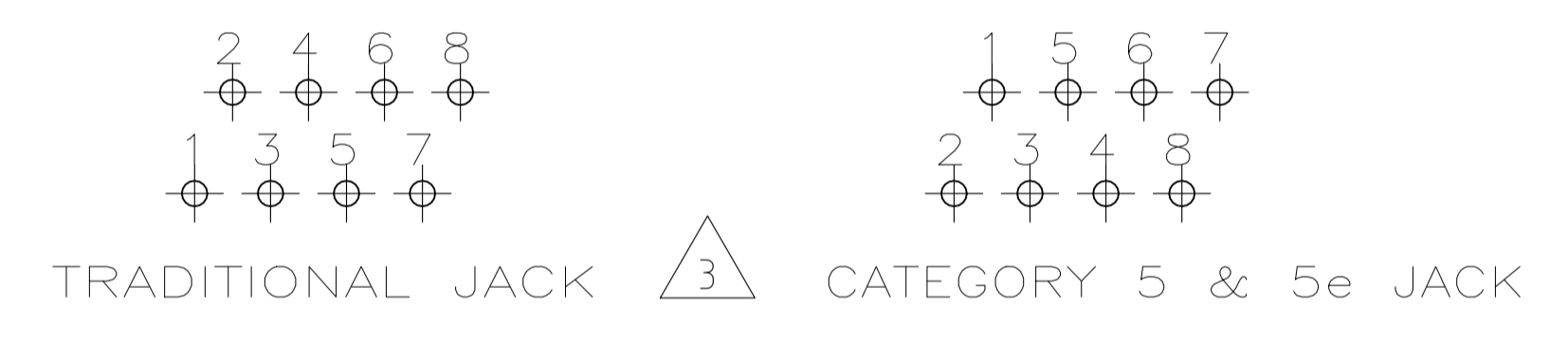
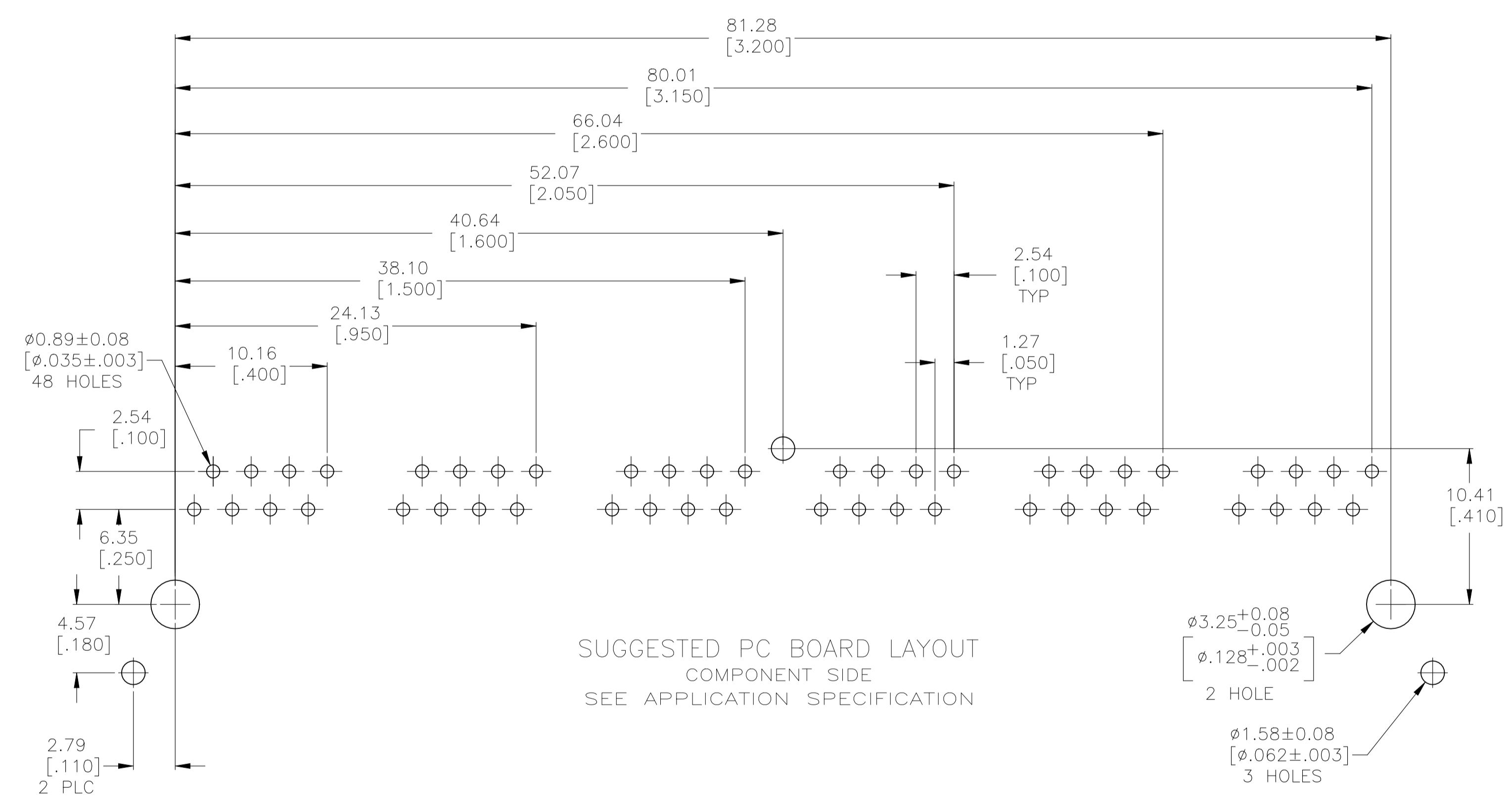


REVISIONS				
REV	DESCRIPTION	DATE	BY	APP'D
D1	ECR-19-014657	12DEC2020	RR	SZ



- MATERIAL: HOUSING—HIGH TEMPERATURE NYLON, BLACK, UL 94V-0.
 TERMINALS - 0.33 [.013] THICK PHOS BRONZE PLATED WITH 1.27µm [.000050] MINIMUM HARD GOLD IN LOCALIZED AREA AND 3.81µm [.000150] MINIMUM MATTE TIN IN SOLDER AREA OVER
 1.27µm [.000050] MINIMUM NICKEL UNDERPLATE
 SHIELDS - 0.25[.010] THICK COPPER ALLOY PLATED WITH 1.27µm[.000050] MIN NICKEL AND 2.03µm[.000080] MIN TIN HOT DIP ON PCB GROUND TABS.
- ⚠ JACK CAVITY CONFORMS TO FCC RULES AND REGULATIONS, PART 68 SUBPART F.
- ⚠ CAUTION: CATEGORY 5 JACK SOLDER TAIL POSITIONS DO NOT FOLLOW SAME NUMBER SEQUENCE AS THAT OF THE TRADITIONAL JACKS.



5558504-1
 PART NO.

THIS DRAWING IS A CONTROLLED DOCUMENT.		DIN W. LONG 3-8-94	
DIMENSIONS: mm [INCHES]		CHK B. FOX 3-16-94	
TOLERANCES UNLESS OTHERWISE SPECIFIED:		APVD G. REED 3-16-94	NAME: MODULAR JACK ASSEMBLY, 6 PORT, 8 P, RIGHT ANGLE, CATEGORY 5e, GROUND SHIELD PRODUCT SPEC: 108-1163-2 APPLICATION SPEC: 114-2048
0. PLC ± - 1. PLC ± - 2. PLC ± 0.25 [.010] 3. PLC ± - 4. PLC ± - ANGLES ± -		SIZE: A1	
MATERIAL: SEE NOTE 1		WEIGHT: 0.000000	RESTRICTED TO: -
FINISH: SEE NOTE 1		CUSTOMER DRAWING	SCALE: 4:1 SHEET 1 of 1 REV D1

单击下面可查看定价，库存，交付和生命周期等信息

[>>TE Connectivity\(泰科\)](#)