

THIS DRAWING IS UNPUBLISHED RELEASED FOR PUBLICATION APR , 1995.

© COPYRIGHT 2010 By -

ALL RIGHTS RESERVED.

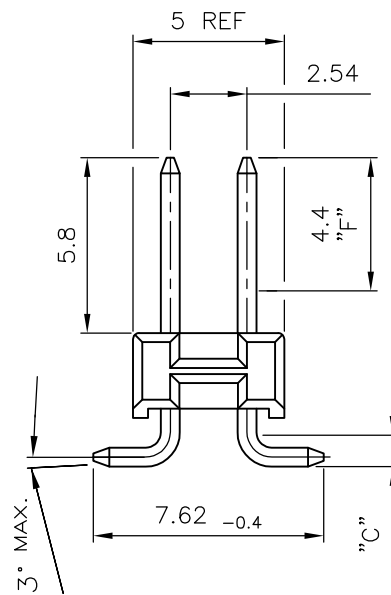
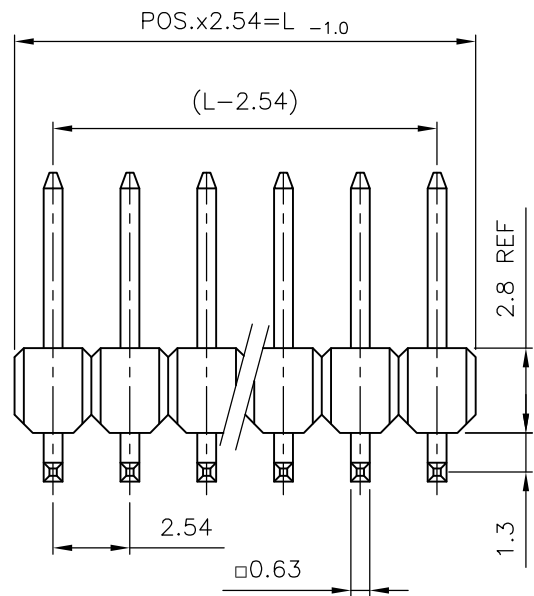
LOC IR

DIST -

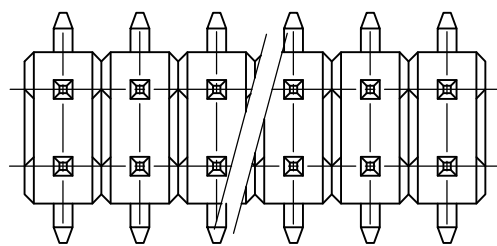
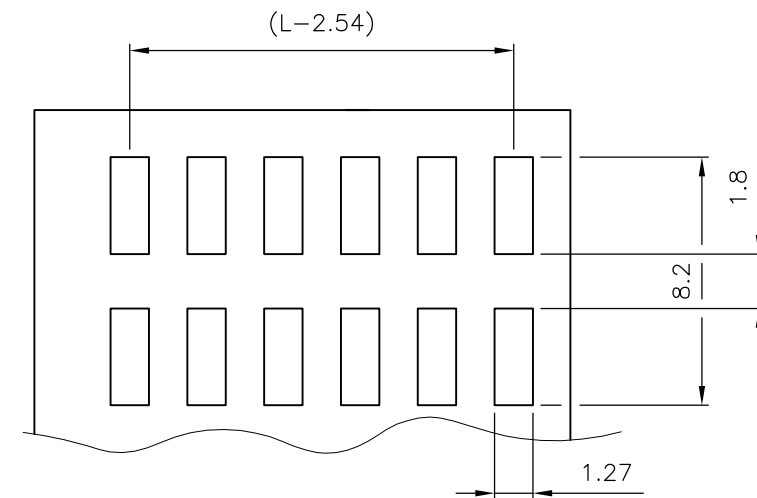
REVISIONS

P	LTR	DESCRIPTION	DATE	DWN	APVD
F		CONTACT PIN MATERIAL & PLATING CHANGE	20JUN2014	PS	JK

Pos.	L <sub>-1,0</sub>
2	5,08
3	7,62
4	10,16
5	12,7
6	15,24
7	17,78
8	20,32
9	22,86
10	25,4
11	27,94
12	30,48
13	33,02
14	35,56
15	38,1
16	40,64
17	43,18



EMPFOHLENES LEITERPLATTEN LAYOUT  
RECOMMENDED PCB-LAYOUT



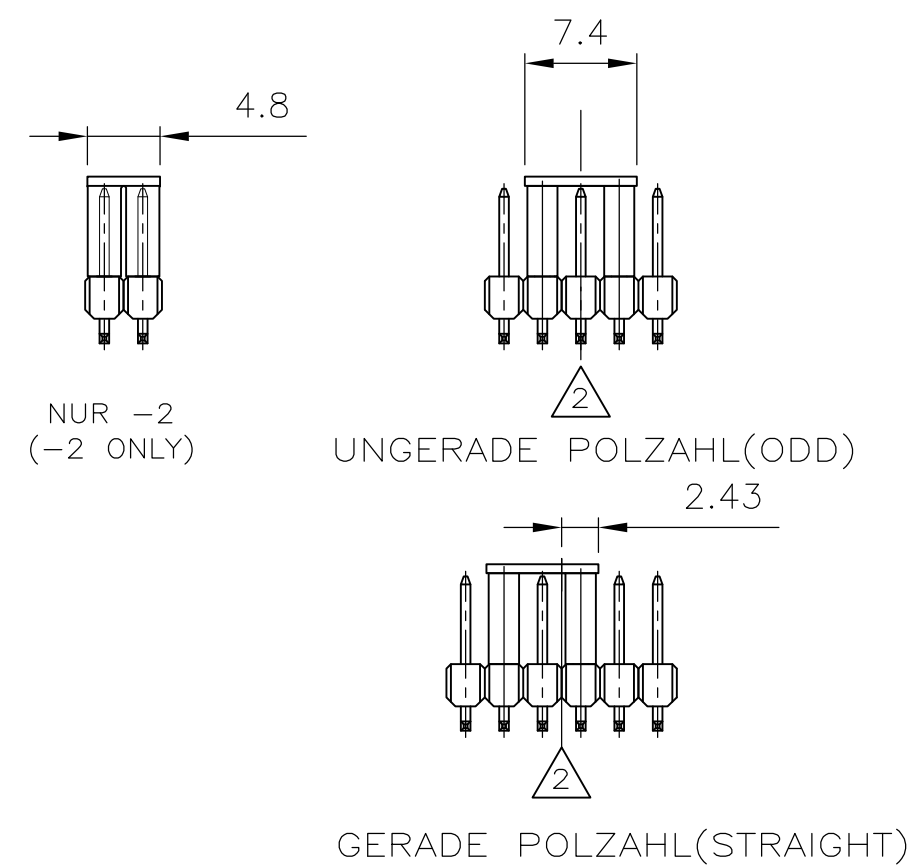
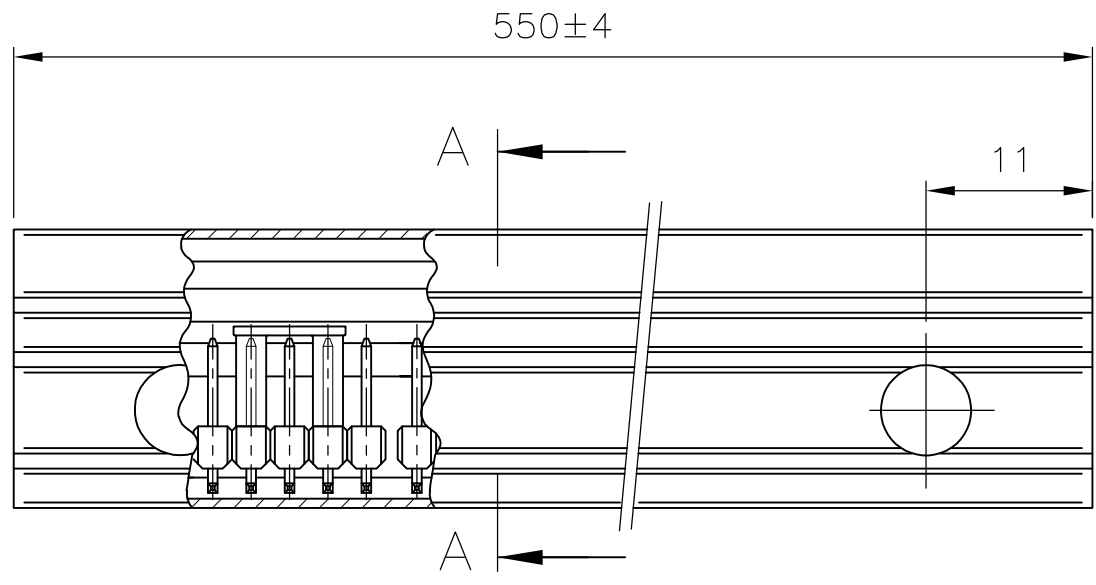
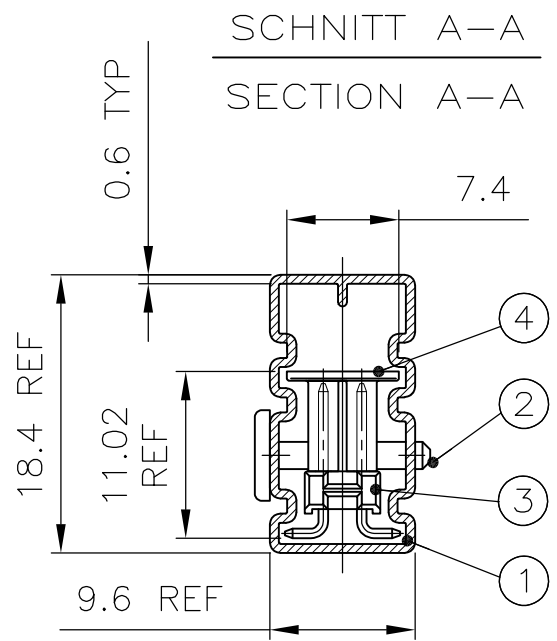
1 MATING SIDE: AREA "F" MIN 0.7µm PdNi + MIN 0.1µm GOLD FLASH OVER 1.27µm NICKEL  
 SOLDER SIDE: 3.0 TO 5.0µm TIN OVER 1.27µm NICKEL

KONTAKTSTIFT / CONTACT PIN	Cu Zn	1	2
STIFTGEHÄUSE / PIN HOUSING	PCT-GF	SCHWARZ / BLACK	1
BENENNUNG EINZELTEIL PART DESCRIPTION	WERKSTOFF MATERIAL	OBERFLÄCHE / FARBE SURFACE / COLOR	SI No

THIS DRAWING IS A CONTROLLED DOCUMENT.		DWN A.HO 23.03.95	TE Connectivity														
DIMENSIONS: mm		CHK M.SCHAARSCHMIDT 23.03.95															
TOLERANCES UNLESS OTHERWISE SPECIFIED: TOL ± 0.2		APVD -	NAME AMPMODU II PIN HEADER , SMD, PACKED IN TUBE														
<table border="1"> <tr><td>0 PLC</td><td>± -</td></tr> <tr><td>1 PLC</td><td>± -</td></tr> <tr><td>2 PLC</td><td>± -</td></tr> <tr><td>3 PLC</td><td>± -</td></tr> <tr><td>4 PLC</td><td>± -</td></tr> <tr><td>ANGLES</td><td>±</td></tr> </table>		0 PLC	± -	1 PLC	± -	2 PLC	± -	3 PLC	± -	4 PLC	± -	ANGLES	±	PRODUCT SPEC 108-18012	SIZE A3		
0 PLC	± -																
1 PLC	± -																
2 PLC	± -																
3 PLC	± -																
4 PLC	± -																
ANGLES	±																
MATERIAL SEE TABLE		FINISH SEE TABLE	APPLICATION SPEC -	CAGE CODE 00779	DRAWING NO C-966269												
		WEIGHT -	RESTRICTED TO -														
CUSTOMER DRAWING			SCALE 2:1	SHEET 1 OF 2	REV F												

THIS DRAWING IS UNPUBLISHED  
 RELEASED FOR PUBLICATION APR , 1995.  
 © COPYRIGHT 2010 By - ALL RIGHTS RESERVED.

LOC	DIST	REVISIONS					
IR	-	P	LTR	DESCRIPTION	DATE	DWN	APVD
		-		SEE SHEET 1	-	-	-



- 5 OBSOLETE PARTS: OBSOLETE CIS STREAMLINING PER D.RENAUD/D.SINISI
- 4 OBSOLETE
- 3 SIEHE TABELLE / SEE TABLE
- 2 MITTELLINIE DER STIFTLAISTE / CENTER LINE OF THE PIN ROW
- 1 AMPMODU II SMD-STIFTLAISTE SIEHE BLATT 1 VON 2. / AMPMODU II SMD-PIN ROW SEE SHEET 1 OF 2.

1-966 269-0	10	20	
<del>966 269-9</del>	9	23	OBSOLETE 5
966 269-8	8	25	
4 966 269-7	7	29	
4 966 269-6	6	34	
966 269-5	5	41	
966 269-4	4	51	
966 269-3	3	69	
4 966 269-2	2	108	
BESTELL-NR. / PART NO.	POLZ. PROREIHE / POLZ. PER ROW	VERPACKUNGS-EINHEIT / PACKING UNIT	

S.TABELLE SEE TABLE	4	3	ADAPTER	PCT-GF	SCHWARZ / BLACK	4
	3	3	AMPMODU II STIFTL., SMD	1	1	3
	2	2	VERSCHL. STIFT / LOCKS PIN	PP	ROT	2
	1	1	VERPACKUNGSROHR / PACKING PIPE	ANTI-STATISCH	TRANSPAR.	1
BESTELL-NR. / PN	POS.	STÜCK / PIECE	BENENNUNG EINZELTEIL / PART DESCRIPTION	WERKSTOFF MATERIAL	OBERFLÄCHE / FARBE / SURFACE / COLOR	SI No

THIS DRAWING IS A CONTROLLED DOCUMENT.

DIMENSIONS: mm	TOLERANCES UNLESS OTHERWISE SPECIFIED: TOL ± 0.2	DWN A.HO 23.03.95	TE Connectivity AMPMODU II PIN HEADER , SMD, PACKED IN TUBE												
	<table border="1"> <tr><td>0 PLC</td><td>± 0.2</td></tr> <tr><td>1 PLC</td><td>±</td></tr> <tr><td>2 PLC</td><td>±</td></tr> <tr><td>3 PLC</td><td>±</td></tr> <tr><td>4 PLC</td><td>±</td></tr> <tr><td>ANGLES</td><td>±</td></tr> </table>	0 PLC		± 0.2	1 PLC	±	2 PLC	±	3 PLC	±	4 PLC	±	ANGLES	±	CHK M.SCHAARSCHMIDT 23.03.95
		0 PLC		± 0.2											
		1 PLC		±											
2 PLC	±														
3 PLC	±														
4 PLC	±														
ANGLES	±														
MATERIAL SEE TABLE	FINISH SEE TABLE	APVD -													
		PRODUCT SPEC 108-18012	NAME												
		APPLICATION SPEC -	SIZE CAGE CODE DRAWING NO RESTRICTED TO												
		WEIGHT -	A3 00779 C-966269												
		CUSTOMER DRAWING	SCALE 2:1 SHEET 2 OF 2 REV F												

单击下面可查看定价，库存，交付和生命周期等信息

[>>TE Connectivity\(泰科\)](#)