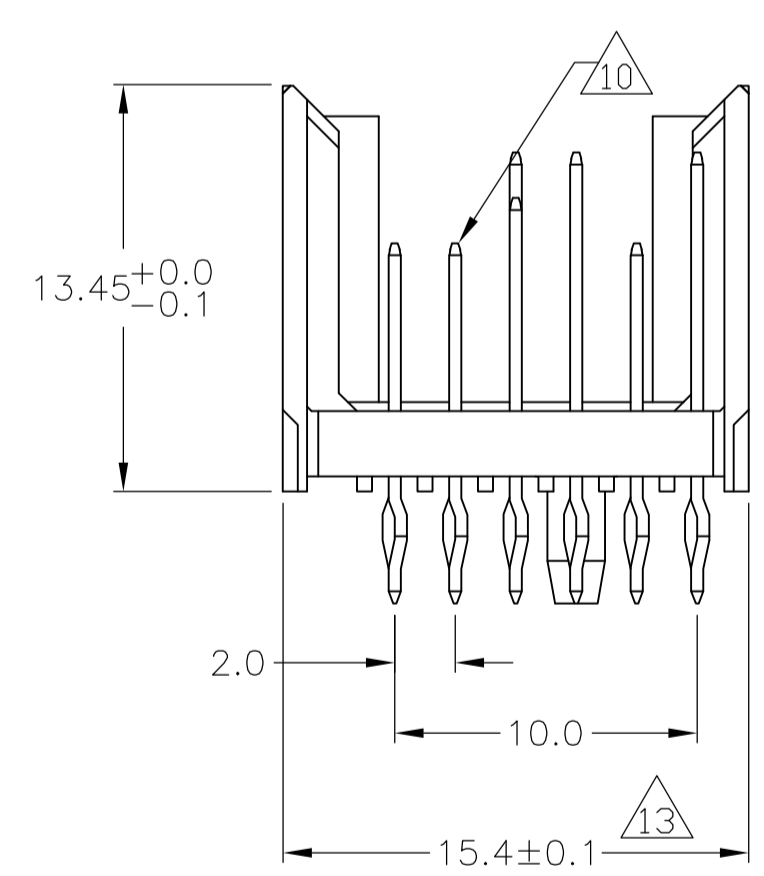
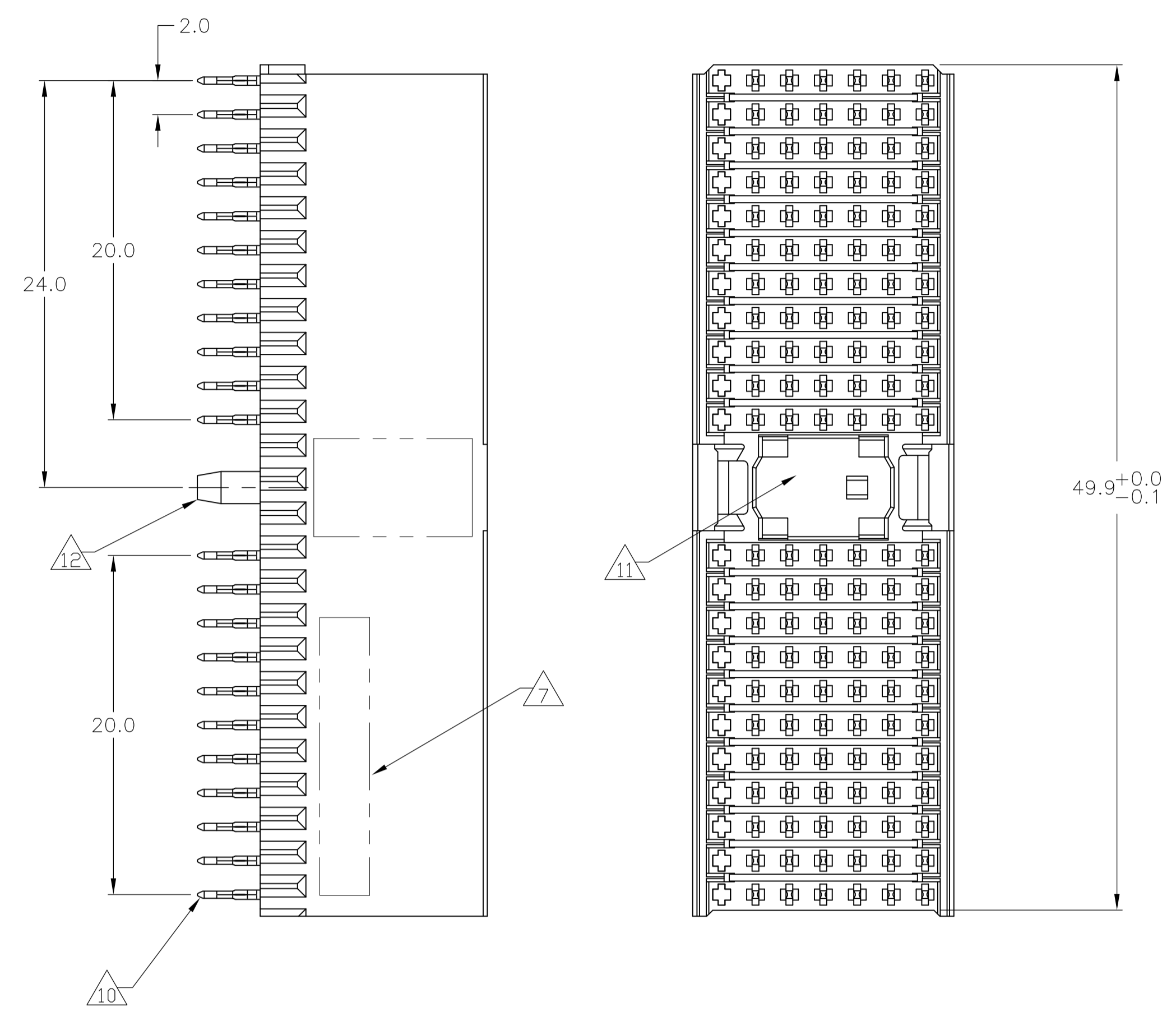
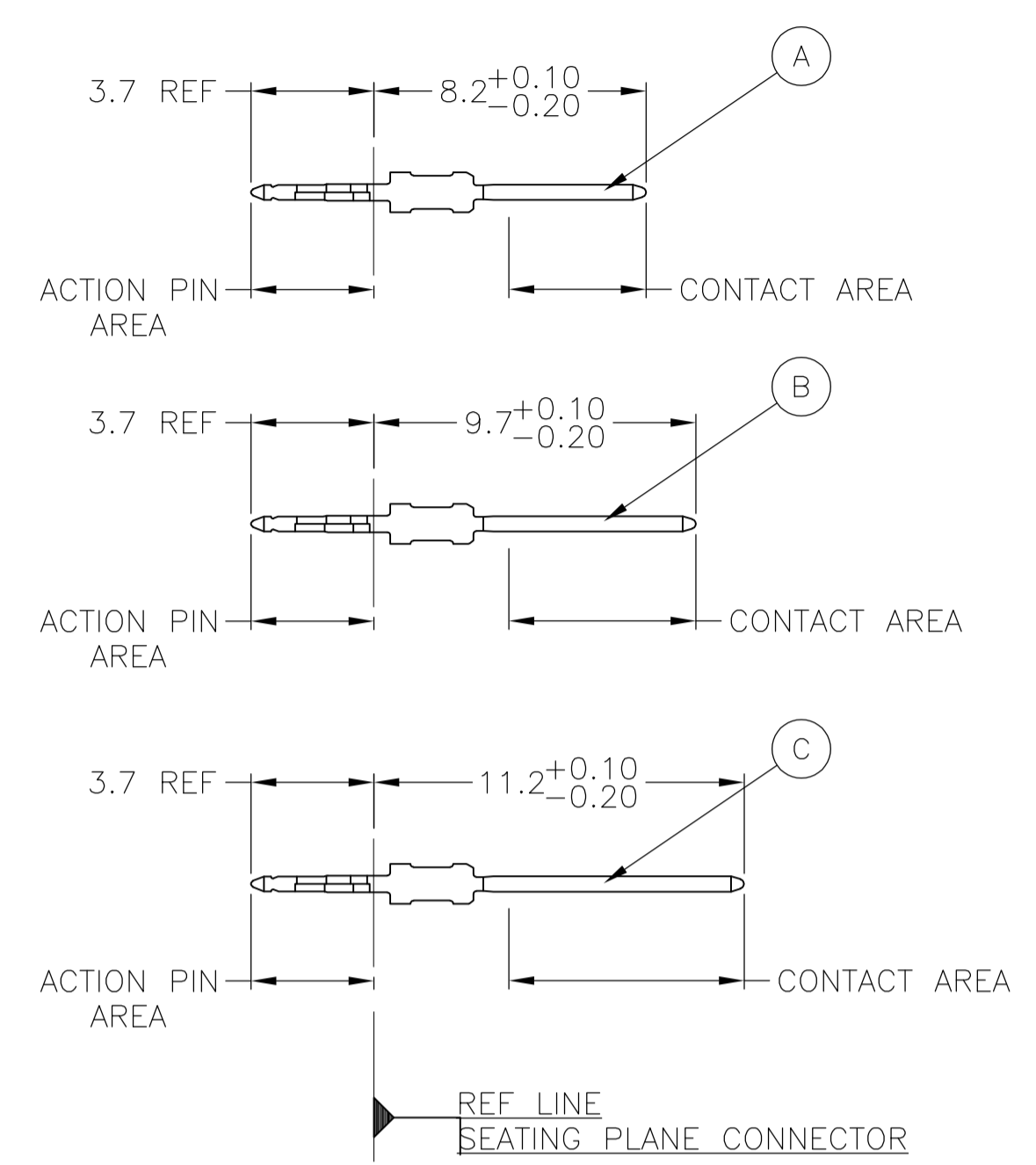


| LOC |    | DIST |     | REVISIONS  |              |              |         |      |    |
|-----|----|------|-----|------------|--------------|--------------|---------|------|----|
| AD  | 00 | REV  | PER | EC         | OS12-0309-04 | DATE         | DMN     | APVD |    |
|     |    | 0    | REV | PER        | EC           | OS12-0309-04 | 17MAY05 | BC   | GS |
|     |    | A    | ECR | -10-019054 |              | 15SEP10      | DP      | MQW  |    |

### CONNECTOR ASSEMBLY EXAMPLARY LOADED



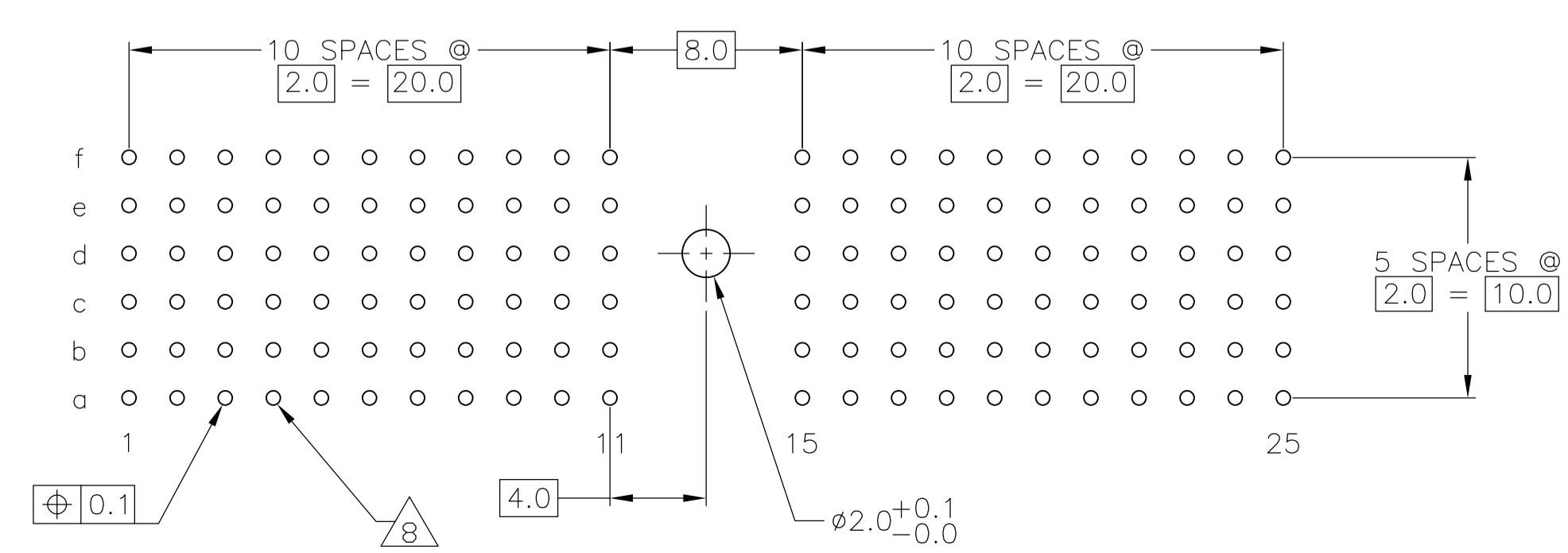
### CONTACT DIMENSIONS SCALE 5:1



### CONTACT LAYOUT

|                      | z | a | b | c | d | e | f |
|----------------------|---|---|---|---|---|---|---|
| 1                    |   | A | A | C | C | A | C |
| 2                    |   | A | A | C | C | A | C |
| 3                    |   | A | A | C | C | A | C |
| 4                    |   | A | A | B | C | A | C |
| 5                    |   | A | A | B | C | A | C |
| 6                    |   | A | A | B | C | A | C |
| 7                    |   | A | A | B | C | A | C |
| 8                    |   | A | A | B | C | A | C |
| 9                    |   | A | A | B | C | A | C |
| 10                   |   | A | A | B | C | A | C |
| 11                   |   | A | A | B | C | A | C |
| MULTI PURPOSE CENTER |   |   |   |   |   |   |   |
| 15                   |   | A | A | C | C | A | C |
| 16                   |   | A | A | C | C | A | C |
| 17                   |   | A | A | C | C | A | C |
| 18                   |   | A | A | C | C | A | C |
| 19                   |   | A | A | C | C | A | C |
| 20                   |   | A | A | C | C | A | C |
| 21                   |   | A | A | C | C | A | C |
| 22                   |   | A | A | C | C | A | C |
| 23                   |   | A | A | B | C | A | C |
| 24                   |   | A | A | B | C | A | C |
| 25                   |   | A | A | B | C | A | C |

### RECOMMENDED PCB-HOLE LAYOUT COMPONENT SIDE SHOWN



### PLATED THRU HOLES PARAMETERS REFERENCE APPLICATION SPECIFICATION

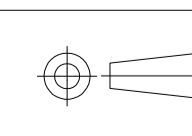
|        |   |    |             |
|--------|---|----|-------------|
| 2      | 6 | 14 | 1-6345235-9 |
| 2      | 5 | 14 | 6345235-9   |
| 2      | 4 |    | 6345235-4   |
| 2      | 3 |    | 6345235-1   |
| FINISH |   |    | PART NUMBER |

THIS DRAWING IS A CONTROLLED DOCUMENT.

|                |   |                         |  |
|----------------|---|-------------------------|--|
| DIMENSIONS: mm | TOLERANCES UNLESS OTHERWISE SPECIFIED: ±0.2 | DIN B. CARBO 17MAY05    | Tyco Electronics Corporation Harrisburg, Pa 17105-3608 |
| 0-PLC ±        | 1-PLC ±                                     | CHK G. SKIPPER 17MAY05  | MALE ASSEMBLY, Z-PACK 2mm HM, TYPE A                   |
| 2-PLC ±        | 3-PLC ±                                     | APVD G. SKIPPER 17MAY05 | 108-19082  |
| 4-PLC ±        | ANGLES ±                                    | APPLICATION SPEC        | 114-19029  |
| MATERIAL 1     | FINISH SEE TABLE                            | WEIGHT                  | SIZE CAGE CODE DRAWING NO. RESTRICTED TO               |
|                |   |                         | A1 00779 C=6345235                                     |
|                |   | CUSTOMER DRAWING        | SCALE 4:1 SHEET 1 OF 2 REV A                           |

| LOC |     | DIST        |      | REVISIONS |      |  |  |
|-----|-----|-------------|------|-----------|------|--|--|
| P   | LTR | DESCRIPTION | DATE | DN        | APVD |  |  |
| AD  | 00  | SEE SHEET 1 | -    | -         | -    |  |  |

- 1 MATERIAL:  
CONTACT: PHOSPHOR BRONZE.  
HOUSING: GLASS-FILLED POLYESTER.
- 2 GENERAL PLATING SPECIFICATION: UNDERPLATING  
(ENTIRE CONTACT): 1.27µm MIN NICKEL AND ACTION  
PIN: 0.5µm MIN TIN.  
FOR PLATING OF MATING SURFACES SEE APPLICABLE  
SPECIFICATION REFERENCE FOR EACH DASH NUMBER.
- 3 CONFORMS TO ALL TESTING ACCORDING TO IEC 61076-4-101  
PERFORMANCE LEVEL 2.
- 4 CONFORMS TO ALL TESTING ACCORDING TO IEC 61076-4-101  
PERFORMANCE LEVEL 1.
- 5 CONNECTOR TESTED AND QUALIFIED AGAINST TELCORDIA GR-1217-CORE QUALITY LEVEL 3,  
CENTRAL OFFICE APPLICATIONS.
- 6 CONNECTOR TESTED AND QUALIFIED AGAINST TELCORDIA GR-1217-CORE QUALITY LEVEL 3,  
UNCONTROLLED ENVIROMENT APPLICATIONS.
- 7 CONNECTOR MARKED WITH PART NUMBER AND DATE CODE.  
ADDITIONAL CHARACTERS OR MARKINGS, AS WELL AS THE LOCATION OF THE MARKINGS,  
MAY BE ADDED FOR TRACEABILITY BASED UPON MANUFACTURERS DISCRETION.
- 8 PLATED-THROUGH HOLES AT 2x2mm SQUARE GRID  
PATTERN DEFINED BY CONTACT LAYOUT.
- 9 FOR ACTUAL PIN LOADING SEE "CONTACT LAYOUT".
- 10 FOR ACTUAL PIN DIMENSIONS SEE "CONTACT DIMENSIONS".
- 11 AREA RESERVED FOR KEYING PART (BASIC P/N 100525)
- 12 POLARIZATION FEATURE.
- 13 TO BE MEASURED AT BOTTOM OF SHROUD.
- 14 CONNECTOR LUBRICATED WITH BELCORE APPROVED LUBRICANT,  
TECHNICAL REFERENCE: TR-NWT-001217 ISSUE 1, SEP 1992.

|   |  |   |  |   |  |
|---|--|---|--|---|--|
| THIS DRAWING IS A CONTROLLED DOCUMENT.  |  | DIN B CARBO 17MAY05   |  | Tyco Electronics Corporation<br>Harrisburg, Pa 17105-3608                                 |  |
| DIMENSIONS:<br>mm   |  | TOLERANCES UNLESS OTHERWISE SPECIFIED:<br>±0.2                      |  | Tyco Electronics  |  |
|  |  | 0-PLC ±<br>1-PLC ± 0.1<br>2-PLC ±<br>3-PLC ±<br>4-PLC ±<br>ANGLES ± |  | G.SKIPPER 17MAY05<br>G.SKIPPER 17MAY05<br>NAME<br>MALE ASSEMBLY, Z-PACK 2mm HM,<br>TYPE A |  |
| MATERIAL<br>SEE SHEET 1   |  | FINISH<br>SEE SHEET 1   |  | PRODUCT SPEC<br>108-19082<br>APPLICATION SPEC<br>114-19029                                |  |
|   |  | WEIGHT<br>-   |  | SIZE<br>A1 00779 C=6345235  |  |
|   |  | CUSTOMER DRAWING  |  | RESTRICTED TO<br>SCALE 4:1 SHEET 2 OF 2 REV A   |  |

单击下面可查看定价，库存，交付和生命周期等信息

[>>TE Connectivity\(泰科\)](#)