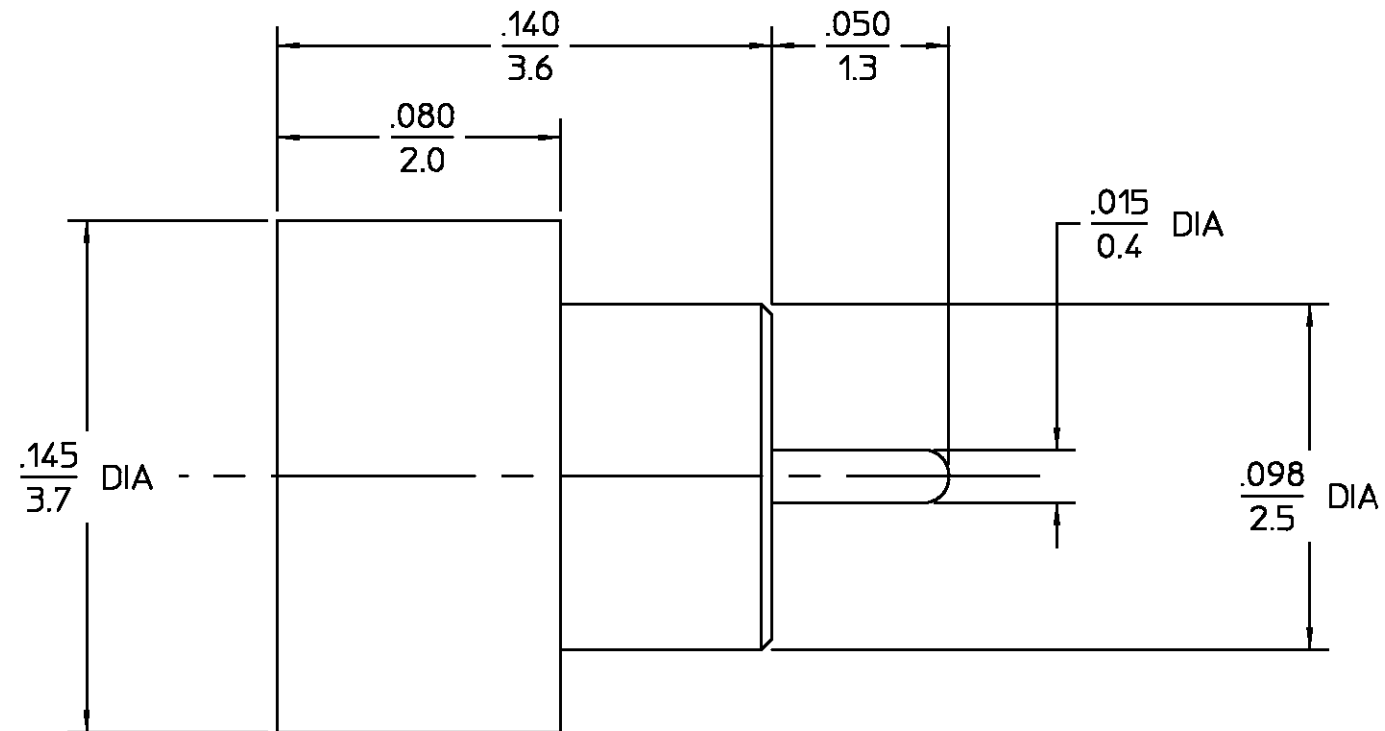
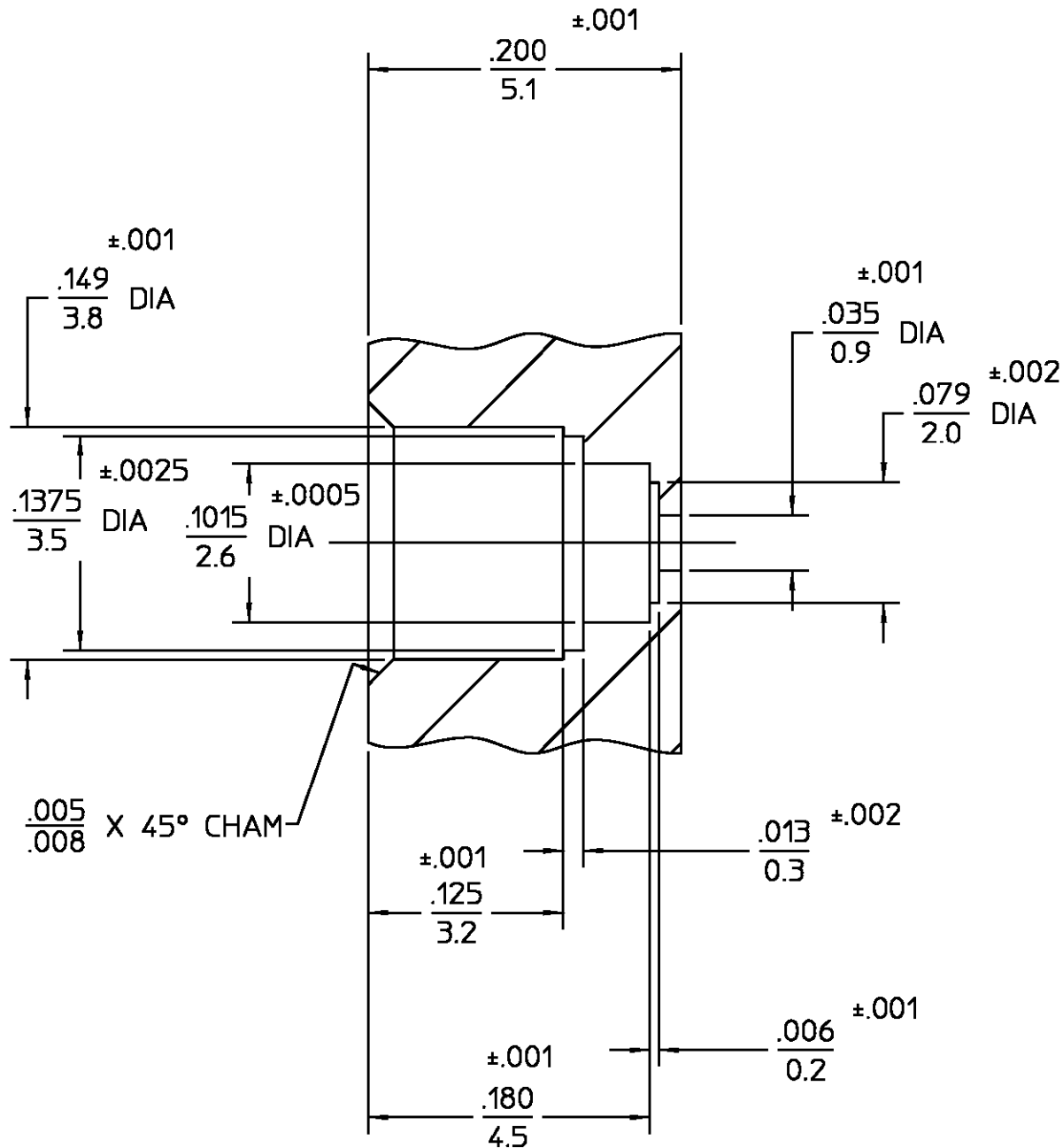


REVISIONS			
REV	DESCRIPTION	DATE	APPROVED
A1	REVISED PER ECO-17-005132	20OCT2017	RS



RECOMMENDED MOUNTING HOLE

OBSOLETE

.XXX = in
XX.X = mm

CONTACT EXT HOUSING	IRON NICKEL COBALT SEALING ALLOY (KOVAR) PER ASTM F15-78	GOLD PLATE PER MIL-G-45204
DIELECTRIC	CORNING GLASS 7070	N/A
COMPONENT	MATERIAL	FINISH
UNLESS OTHERWISE SPECIFIED DIMENSIONS ARE IN INCHES TOLERANCE ON		
FRAC.	DEC.	ANGLES
± 1/64	±.005	± °
DRAWN BY <i>RAC</i> DATE 1/30/95		AMP Incorporated 140 Fourth Avenue Waltham, MA 02451-7599
CHECKED BY <i>RAC</i> APP'D BY <i>RAC</i> DATE 8/23/95		
USE ASSY PROCEDURE		TITLE OSMP SOLDER-IN SHROUD LIMITED DETENT
NO. A.P. N/A		SIZE B CODE IDENT NO. 26805 2998-5055-94 REV A1
SCALE 20:1		SHEET 1 OF 1

CUSTOMER DRAWING

AMP PART # 1056751-1
SHEET 1 OF 1 REV A1

单击下面可查看定价，库存，交付和生命周期等信息

[>>TE Connectivity\(泰科\)](#)