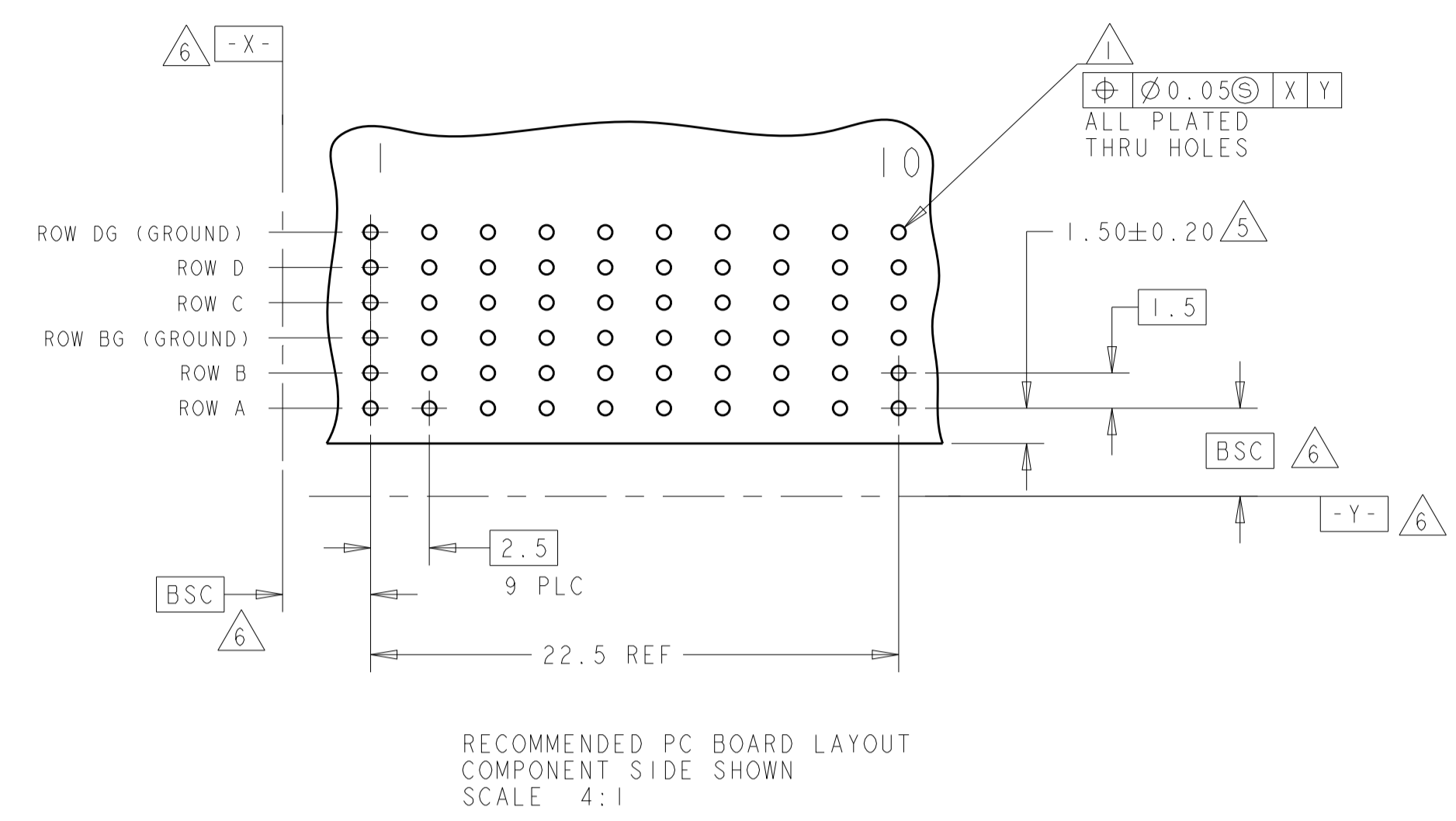
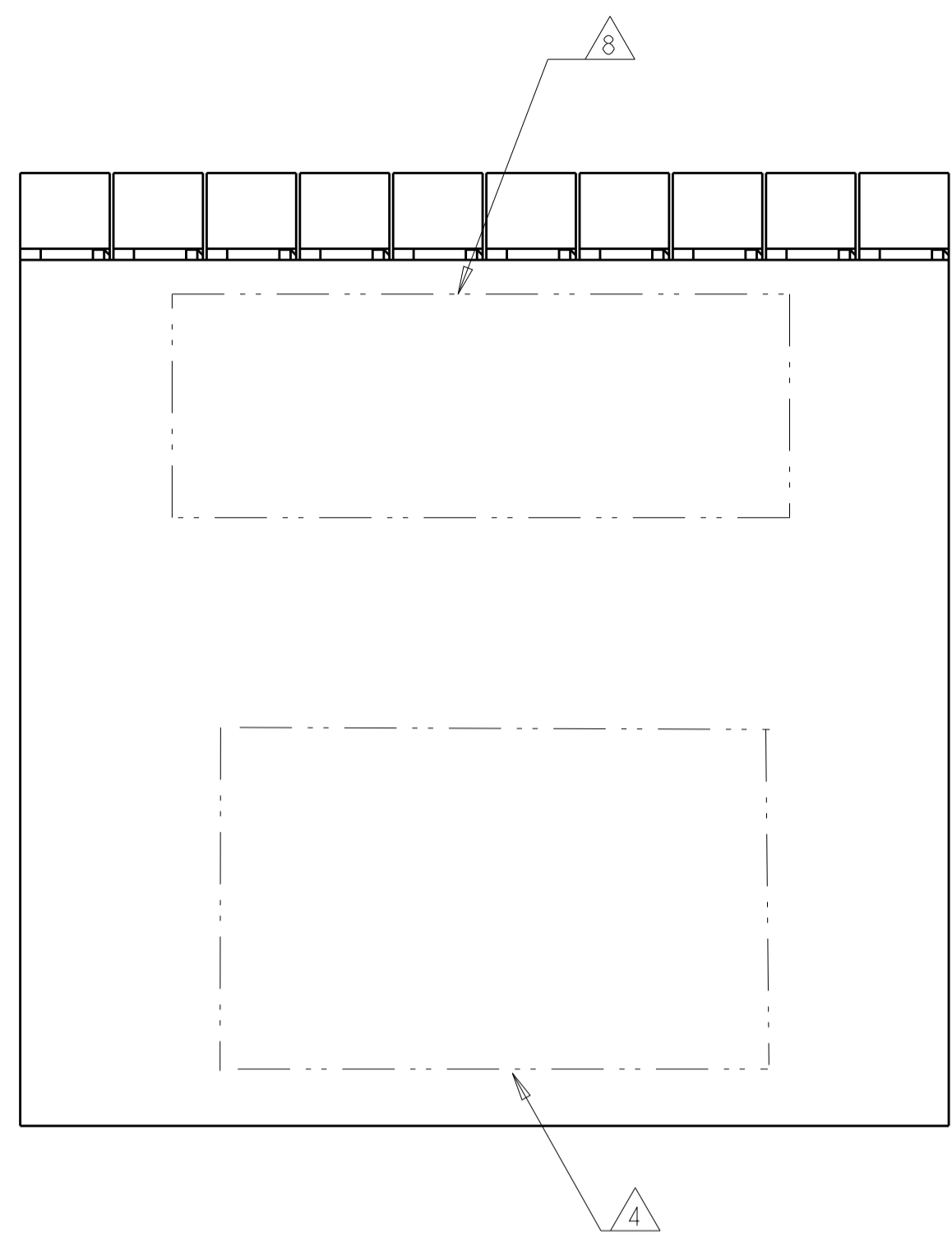
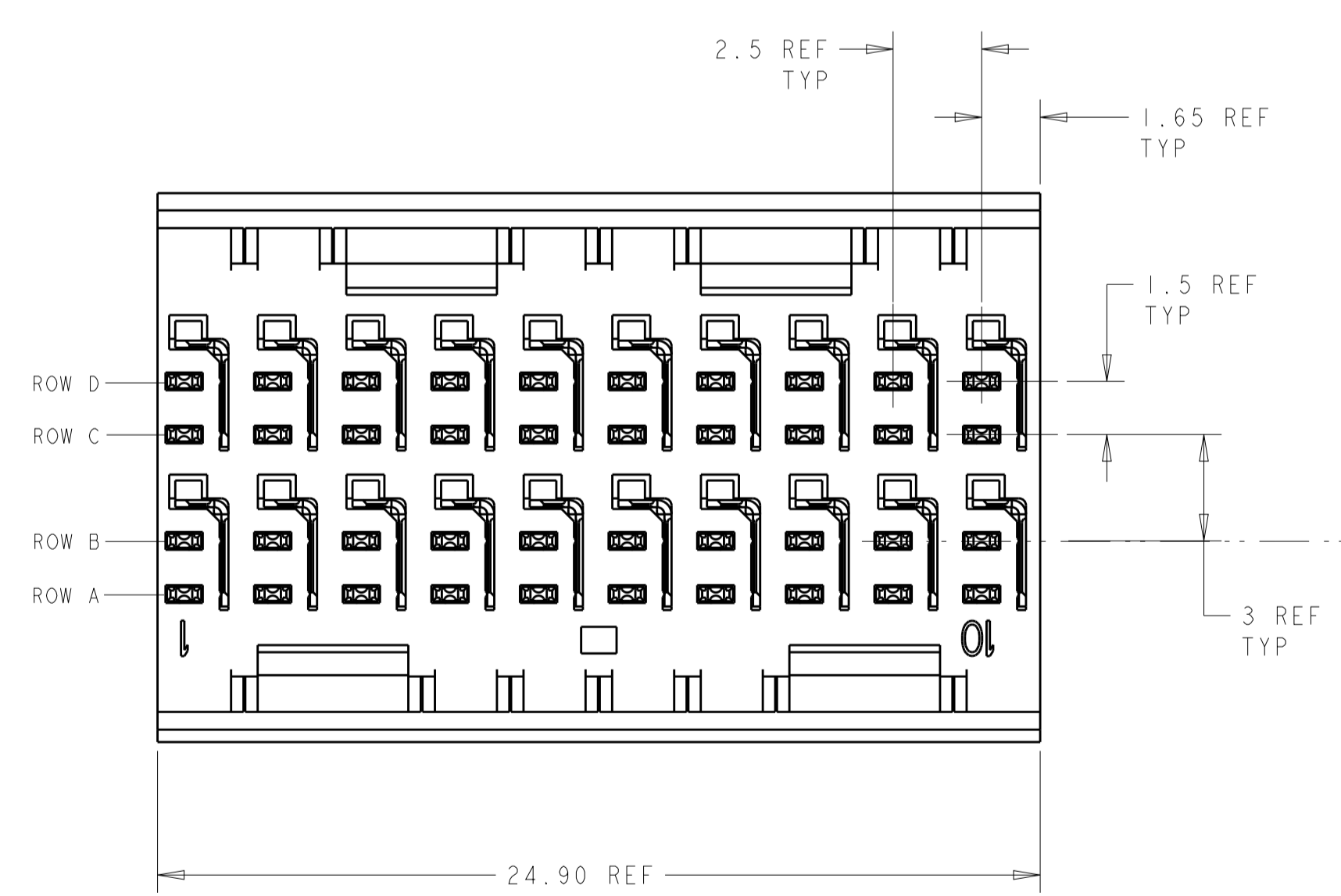


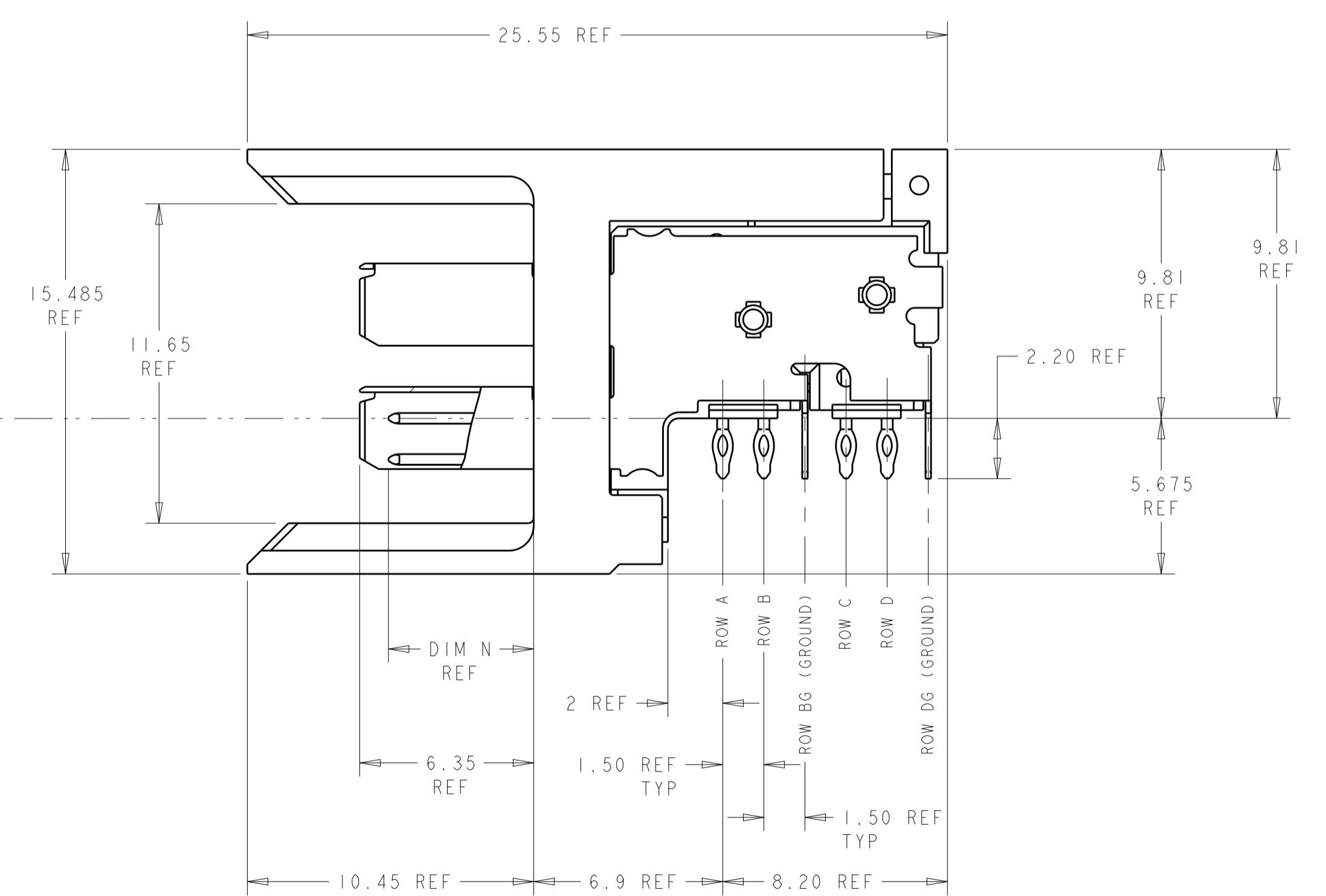
REVISIONS				
P	LTM	DESCRIPTION	DATE	APPROV
C		REVISED PER ECO-18-018129	14OCT2019	AP DS



- 1 REFERENCE APPLICATION SPEC 114-13059 FOR RECOMMENDED PLATED THRU HOLE DIAMETER AND PLATING THICKNESSES.
- 2 MATERIAL:
CONTACT & SHIELD - PHOSPHOR BRONZE
HOUSING & CHICKLET - GLASS FILLED POLYESTER
- 3 FINISH: SIGNAL AND GROUND CONTACTS:
MATING AREA: MEETS THE PERFORMANCE REQUIREMENTS OF PRODUCT SPECIFICATION 108-2055; BASED ON TELCORDIA GR-1217-CORE, APPLICATIONS IN UNCONTROLLED ENVIRONMENTS
COMPLIANT PIN AREA: 0.5 μm MIN MATTE TIN OVER BASE PLATING
- 4 CONNECTOR MARKED WITH PART NUMBER AND DATE CODE IN APPROXIMATE AREA SHOWN
- 5 DIMENSION APPLIES TO CENTERLINE OF THRU HOLE
- 6 DATUMS AND BASIC DIMENSIONS ESTABLISHED BY CUSTOMER
- 7 CONTACT AREA LUBRICATED WITH BELLCORE APPROVED LUBRICANT. TECHNICAL REFERENCE: GR-1217-CORE, ISSUE 1, NOVEMBER 1995
- 8 TE OR TE CONNECTIVITY LOGO IS LOCATED.



TOP SURFACE OF DAUGHTER CARD



6469169-1
PART NUMBER

THIS DRAWING IS A CONTROLLED DOCUMENT.		DWN S. J. MAGARO 18 JUL 2004															
DIMENSIONS: mm		CHK R. A. PATTERSON 18 JUL 2004															
TOLERANCES UNLESS OTHERWISE SPECIFIED:		APPR R. PATTERSON 31 MAR 2006	NAME HEADER ASSEMBLY, RIGHT ANGLE, 2 PAIR, COPLANAR, HMZd														
<table border="1"> <tr><td>0 PLC</td><td>±</td></tr> <tr><td>1 PLC</td><td>±0.2</td></tr> <tr><td>2 PLC</td><td>±0.13</td></tr> <tr><td>3 PLC</td><td>±0.05</td></tr> <tr><td>4 PLC</td><td>±</td></tr> <tr><td>ANGLES</td><td>±</td></tr> <tr><td>FINISH</td><td>±</td></tr> </table>		0 PLC	±	1 PLC	±0.2	2 PLC	±0.13	3 PLC	±0.05	4 PLC	±	ANGLES	±	FINISH	±	PRODUCT SPEC -	SIZE A100779
0 PLC	±																
1 PLC	±0.2																
2 PLC	±0.13																
3 PLC	±0.05																
4 PLC	±																
ANGLES	±																
FINISH	±																
MATERIAL		APPLICATION SPEC -	CAGE CODE 6469169														
FINISH		WEIGHT -	DRAWING NO 6469169														
CUSTOMER DRAWING		SCALE 6:1	SHEET 1 OF 1														

单击下面可查看定价，库存，交付和生命周期等信息

[>>TE Connectivity\(泰科\)](#)